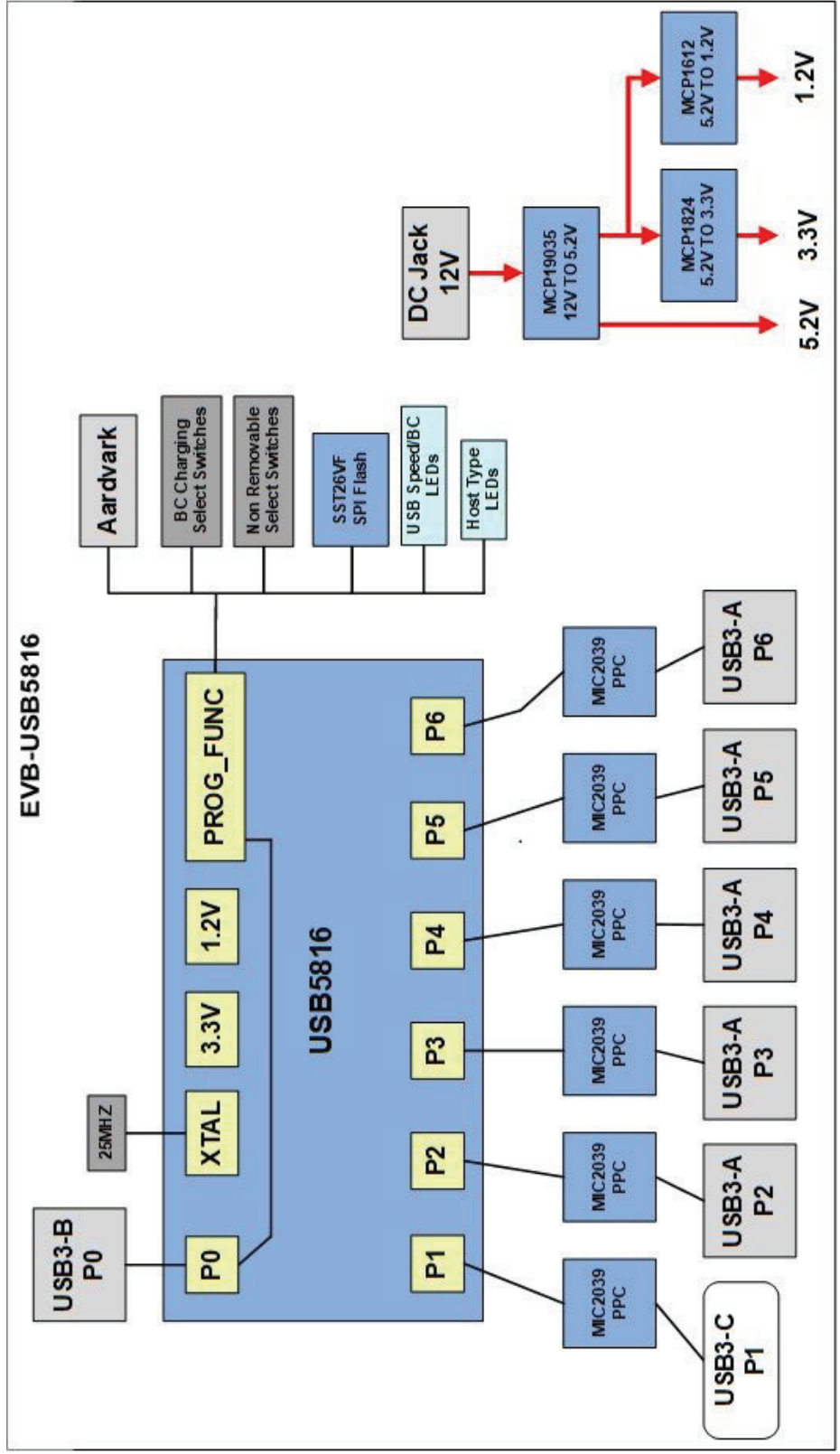


Sheet	Description
1	Table of Contents, Revision History, Block Diagram
2	USB5816, SST26VF SPI Flash
3	USB Type-C Downstream Port 1
4	USB Type-A Downstream Ports 2-6
5	DC Regulators

Revision History

Revision	Date	Revision Summary	Author
A	11/7/2018	Initial Schematic for Review	A. Rogers
1.0	6/7/2019	Minor Reworks based on Compliance Test Results	M. Davis
1.1	1/7/2020	Minor Schematic Changes to reflect Silicon Revision C	M. Davis



LABEL: 02-
JIT
-R1
LABEL: Need Help Small

Drawn By: Mick Davis
Engineer: Mick Davis
Part Number: EVB-USB5816
Project Title: EYB-USB5816C
Variant: [No Variations]

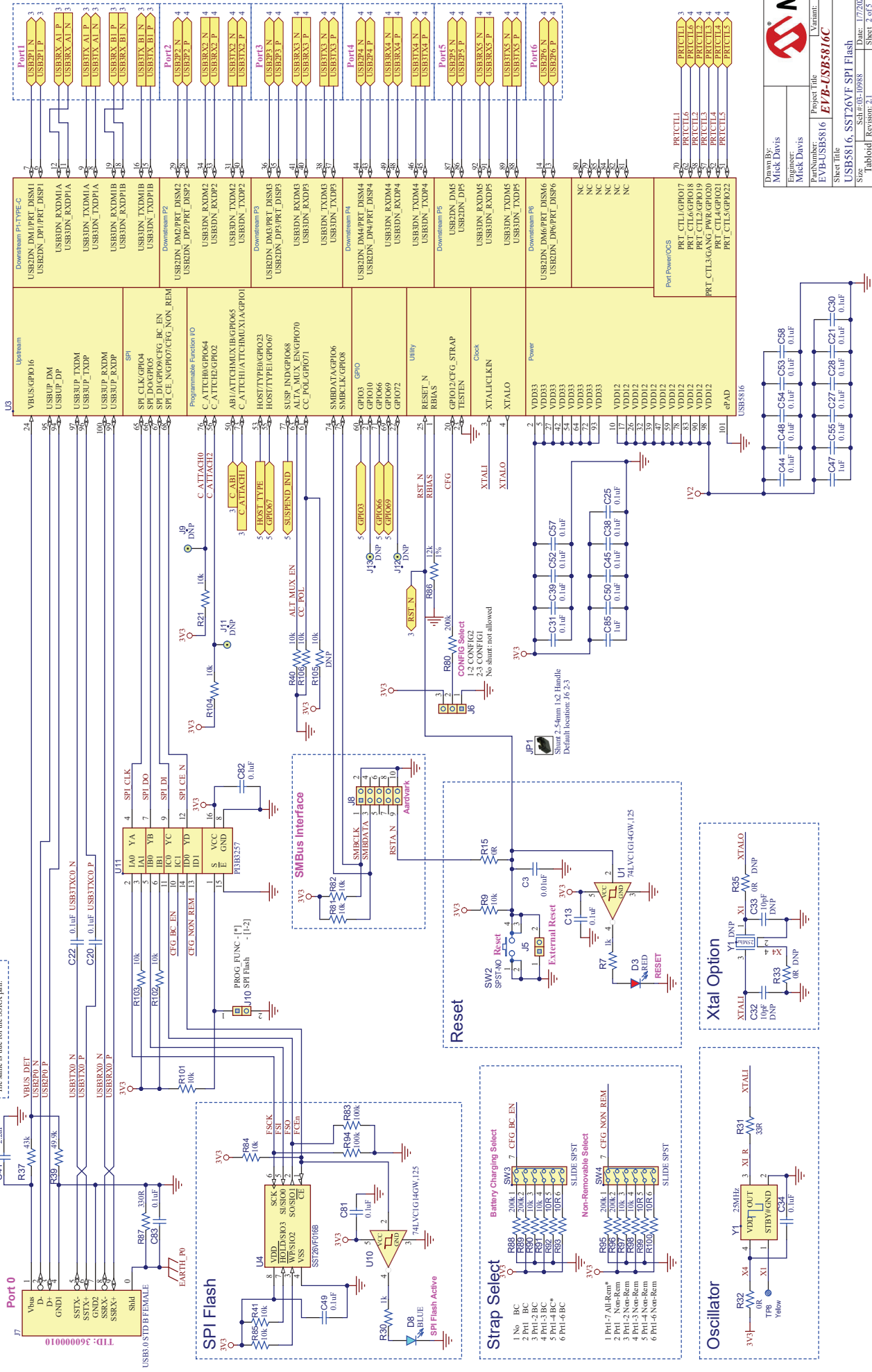
MICROCHIP

Designed with **Altium** Altium.com

Sheet title: Table of Contents, Revision History, Block Diagram
Size: 34.75 x 109.88
Date: 1/7/2020 1:53:15 PM
Tabloid | Revision: 2.1 | Sheet: 1 of 5
File: 1105-SubDoc

Note:
Default selections are marked with an asterisk [*].

For J1 the SSTRX signal pair is polarity sensitive. The same is true for the SSTRX pair.

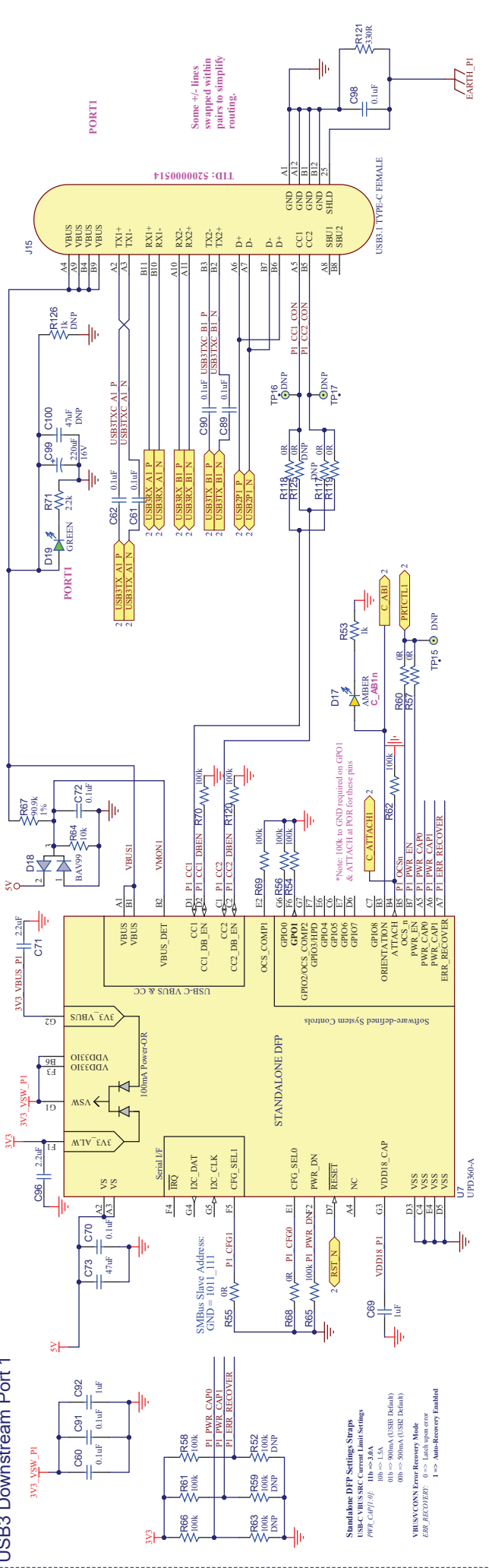


Pin	Signal	Function
1	VBUS	DM/PR1 DISM1
2	D-	DM/PR1 DISP1
3	GND1	
4	SSTRX	RDMA
5	SSTRX	RDMA
6	SSTRX	RDMA
7	SSTRX	RDMA
8	SSTRX	RDMA
9	SSTRX	RDMA
10	SSTRX	RDMA
11	SSTRX	RDMA
12	SSTRX	RDMA
13	SSTRX	RDMA
14	SSTRX	RDMA
15	SSTRX	RDMA
16	SSTRX	RDMA
17	SSTRX	RDMA
18	SSTRX	RDMA
19	SSTRX	RDMA
20	SSTRX	RDMA
21	SSTRX	RDMA
22	SSTRX	RDMA
23	SSTRX	RDMA
24	SSTRX	RDMA
25	SSTRX	RDMA
26	SSTRX	RDMA
27	SSTRX	RDMA
28	SSTRX	RDMA
29	SSTRX	RDMA
30	SSTRX	RDMA
31	SSTRX	RDMA
32	SSTRX	RDMA
33	SSTRX	RDMA
34	SSTRX	RDMA
35	SSTRX	RDMA
36	SSTRX	RDMA
37	SSTRX	RDMA
38	SSTRX	RDMA
39	SSTRX	RDMA
40	SSTRX	RDMA
41	SSTRX	RDMA
42	SSTRX	RDMA
43	SSTRX	RDMA
44	SSTRX	RDMA
45	SSTRX	RDMA
46	SSTRX	RDMA
47	SSTRX	RDMA
48	SSTRX	RDMA
49	SSTRX	RDMA
50	SSTRX	RDMA
51	SSTRX	RDMA
52	SSTRX	RDMA
53	SSTRX	RDMA
54	SSTRX	RDMA
55	SSTRX	RDMA
56	SSTRX	RDMA
57	SSTRX	RDMA
58	SSTRX	RDMA
59	SSTRX	RDMA
60	SSTRX	RDMA
61	SSTRX	RDMA
62	SSTRX	RDMA
63	SSTRX	RDMA
64	SSTRX	RDMA
65	SSTRX	RDMA
66	SSTRX	RDMA
67	SSTRX	RDMA
68	SSTRX	RDMA
69	SSTRX	RDMA
70	SSTRX	RDMA
71	SSTRX	RDMA
72	SSTRX	RDMA
73	SSTRX	RDMA
74	SSTRX	RDMA
75	SSTRX	RDMA
76	SSTRX	RDMA
77	SSTRX	RDMA
78	SSTRX	RDMA
79	SSTRX	RDMA
80	SSTRX	RDMA
81	SSTRX	RDMA
82	SSTRX	RDMA
83	SSTRX	RDMA
84	SSTRX	RDMA
85	SSTRX	RDMA
86	SSTRX	RDMA
87	SSTRX	RDMA
88	SSTRX	RDMA
89	SSTRX	RDMA
90	SSTRX	RDMA
91	SSTRX	RDMA
92	SSTRX	RDMA
93	SSTRX	RDMA
94	SSTRX	RDMA
95	SSTRX	RDMA
96	SSTRX	RDMA
97	SSTRX	RDMA
98	SSTRX	RDMA
99	SSTRX	RDMA
100	SSTRX	RDMA

Drawn By: Mick Davis
 Engineer: Mick Davis
 Part Number: EVB-USB5816
 Variant: No Variations
 Sheet Title: USB5816, SST76VF SPI Flash
 Size: 177x200 (1:53.13 PM)
 Tabloid Revision: 2.1
 Sheet 2 of 5
 File: USB5816.schdoc

MICROCHIP
 EVB-USB5816
 Designed with Altium

USB3 Downstream Port 1



Drawn By: Mick Davis
 Engineer: Mick Davis

Part Number: EVB-USB5816
 Variant: [No Variations]

Project Title: **EVB-USB5816C**

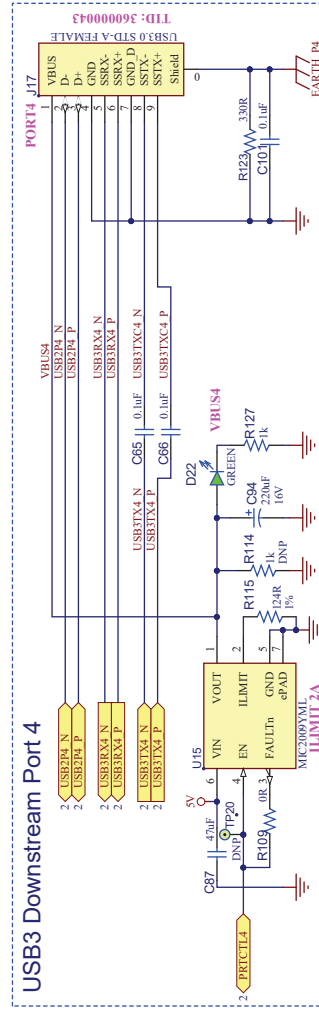
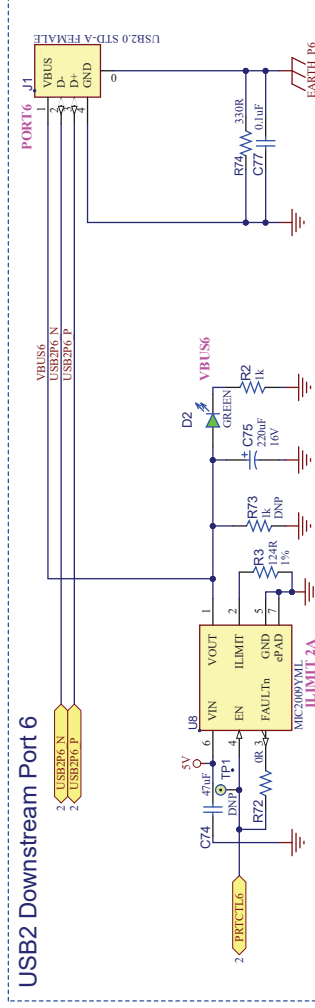
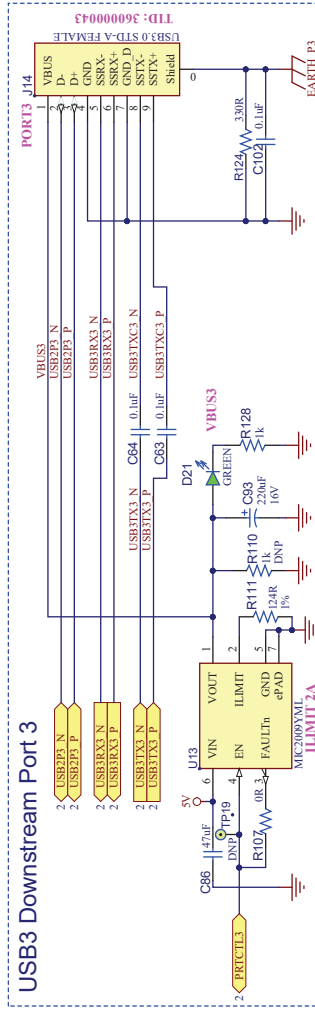
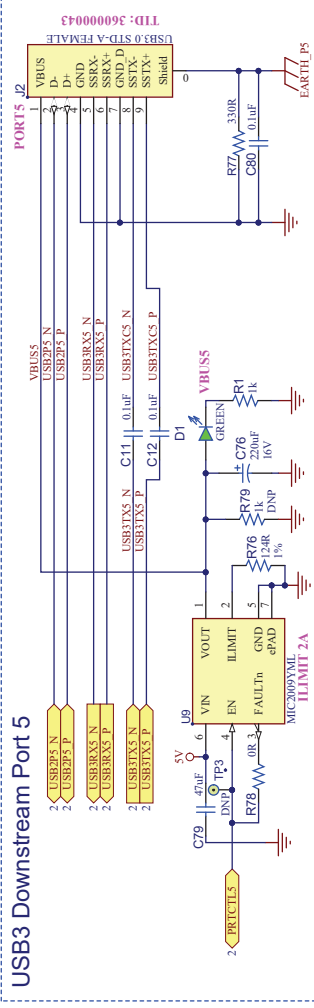
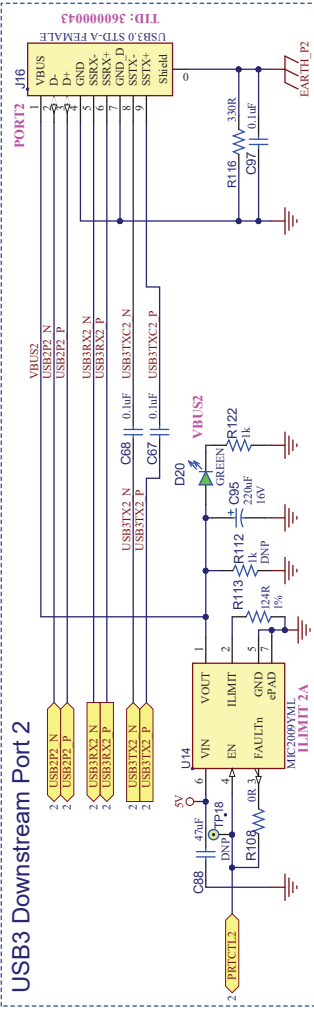
Sheet Title: USB Type-C Downstream Ports

Size: 17x26mm (1:53:10 PM)
 Tabloid (Revision: 2.1) Sheet 3 of 5

File: 3_USB-C_DS_Board_Schematic

MICROCHIP

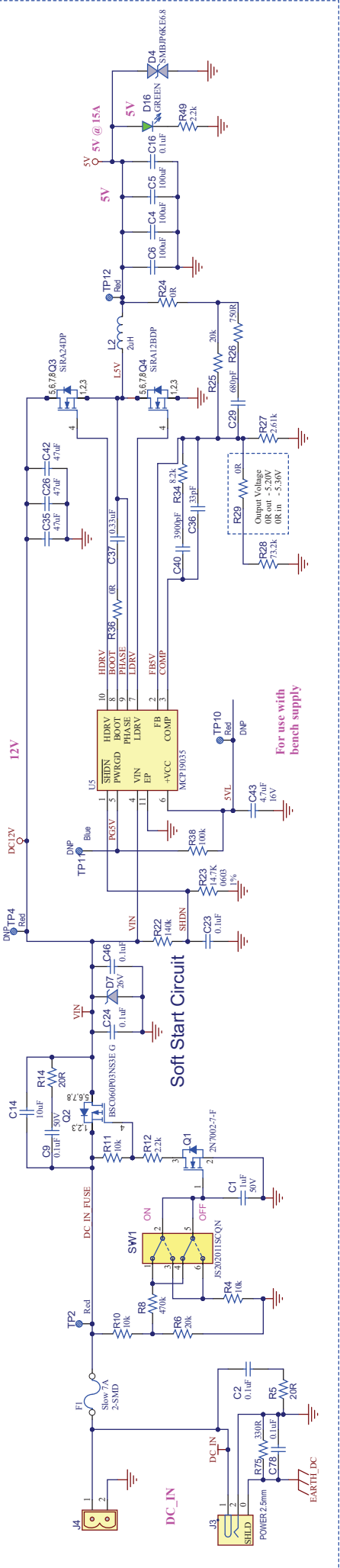
Designed with **Altium** Altium.com



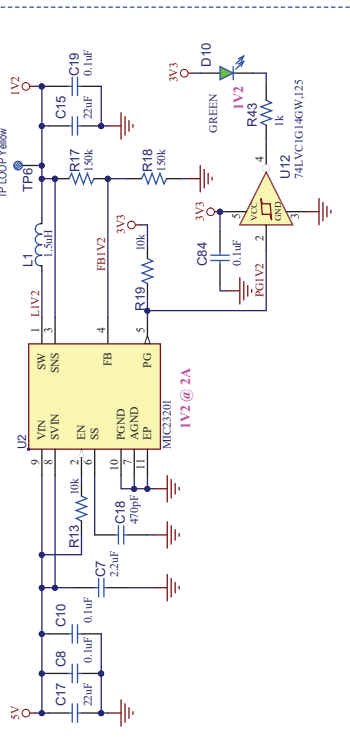
Drawn By: Mick Davis
 Engineer: Mick Davis
 Part Number: EVB-USB5816
 Project Title: EVB-USB5816
 Variant: [No Variations]
 Sheet Title: USB Type-A Downstream Ports
 Size: 1/7/2020 1:53:10 PM
 Tabloid
 Revision: 2.1
 Sheet 4 of 5
 File: 4:USB3 Ports.SchDoc

MICROCHIP
 Designed with
Altium
 Altium.com

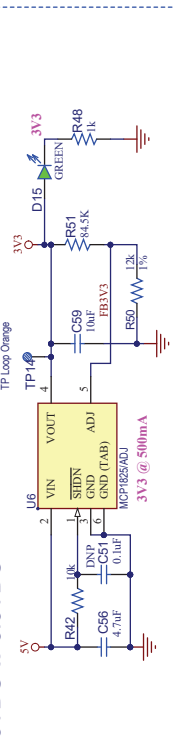
12VDC to 5VDC



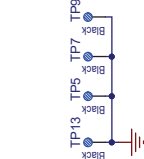
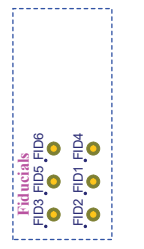
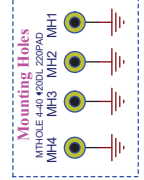
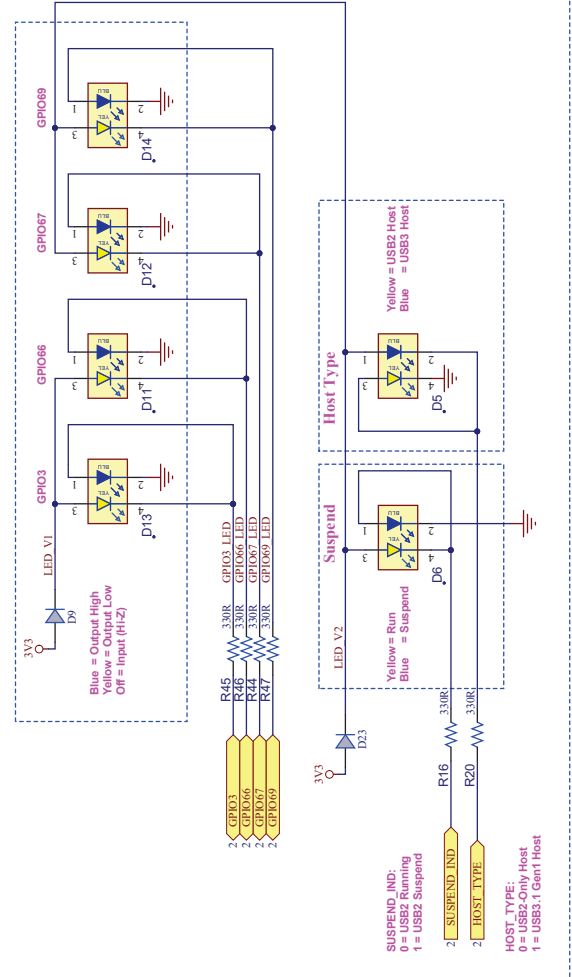
5VDC to VCORE



5VDC to 3.3VDC



LED Indicators



Drawn By:	Mick Davis
Engineer:	Mick Davis
Part Number:	EVB-USBS816
Project Title:	EVB-USBS816C
Sheet Title:	DC Regulators, Indicator LEDs
Size:	Sheet 10 of 10988
Tabloid:	Revision: 2.1
File:	Sheet 5 of 5

