

Customer Information Sheet

DRAWING No.: M80-4D1XXXXFC

IF IN DOUBT - ASK

©

NOT TO SCALE

THIRD ANGLE PROJECTION

ALL DIMENSIONS IN mm

SPECIFICATIONS:

MATERIAL:

MOULDING = GLASS-FILLED PPS, UL94V-0, BLACK
 CONTACT CLIP = BERYLLIUM COPPER
 CONTACT SHELL = BRASS
 IOILOK SCREW, COLLAR = STAINLESS STEEL
 SPRING = MUSIC WIRE

FINISH:

05 = 0.3µm GOLD CLIP, 0.25-0.3µm GOLD SHELL
 42 = 0.3µm GOLD CLIP, 3.5-5.0µm 100% TIN OVER NICKEL SHELL

05 & 42 = TIN COATED SPRINGS

ELECTRICAL:

CURRENT RATING AT 25°C = 3.3A MAX
 CURRENT RATING AT 85°C = 2.6A MAX
 WORKING VOLTAGE = 800V AC/DC
 VOLTAGE PROOF = 1200V AC/DC
 CONTACT RESISTANCE = 25mΩ MAX
 INSULATION RESISTANCE = 100MΩ MIN

MECHANICAL:

DURABILITY = 500 OPERATIONS
 INSERTION FORCE (∅0.5mm GAUGE) = 2.0N MAX
 WITHDRAWAL FORCE (∅0.5mm GAUGE) = 0.2N MIN

ENVIRONMENTAL:

TEMPERATURE RANGE = -55°C TO +125°C

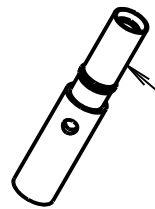
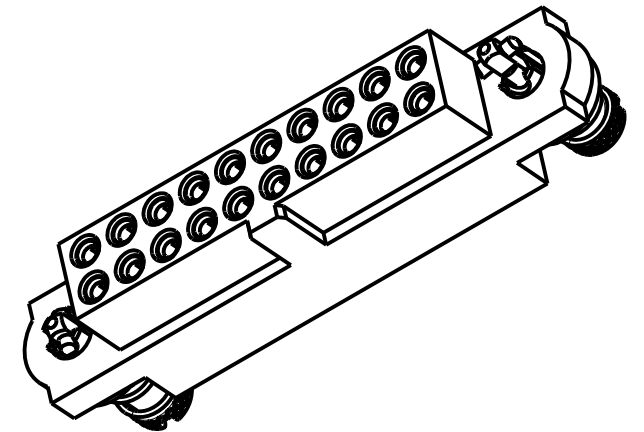
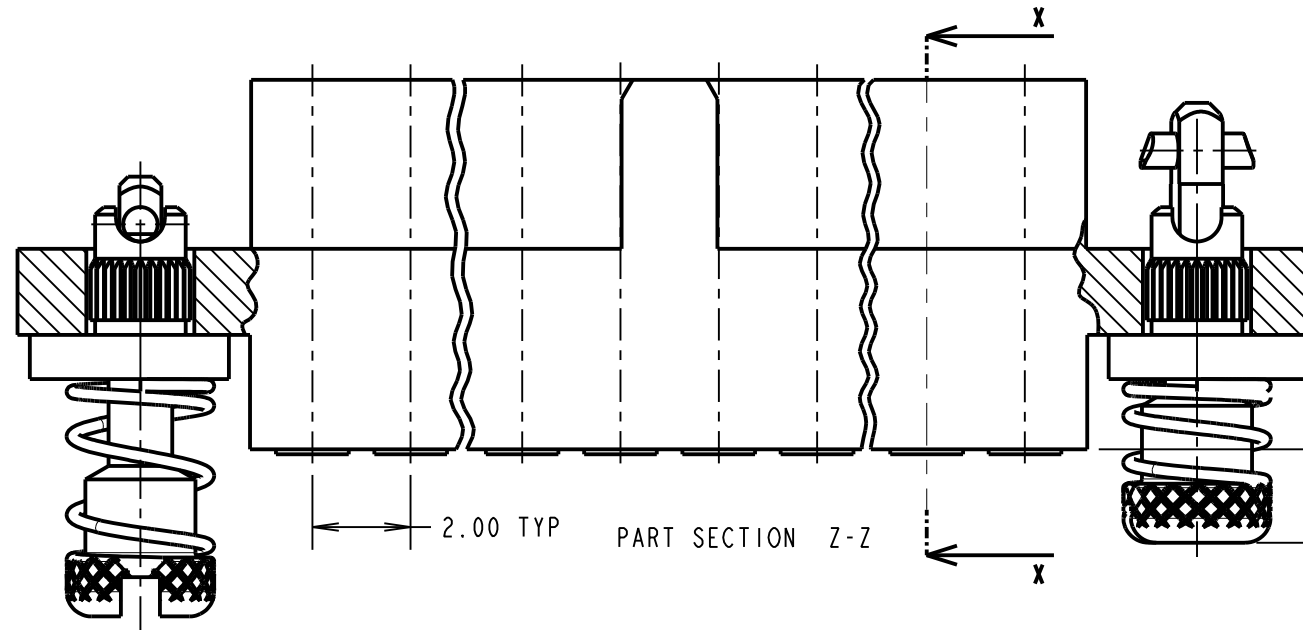
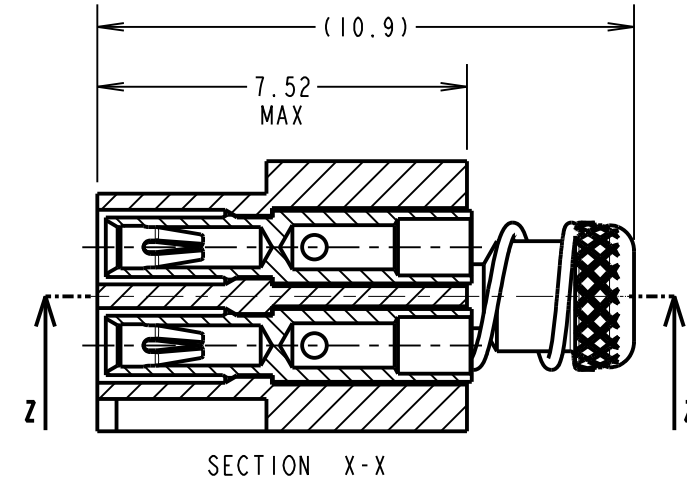
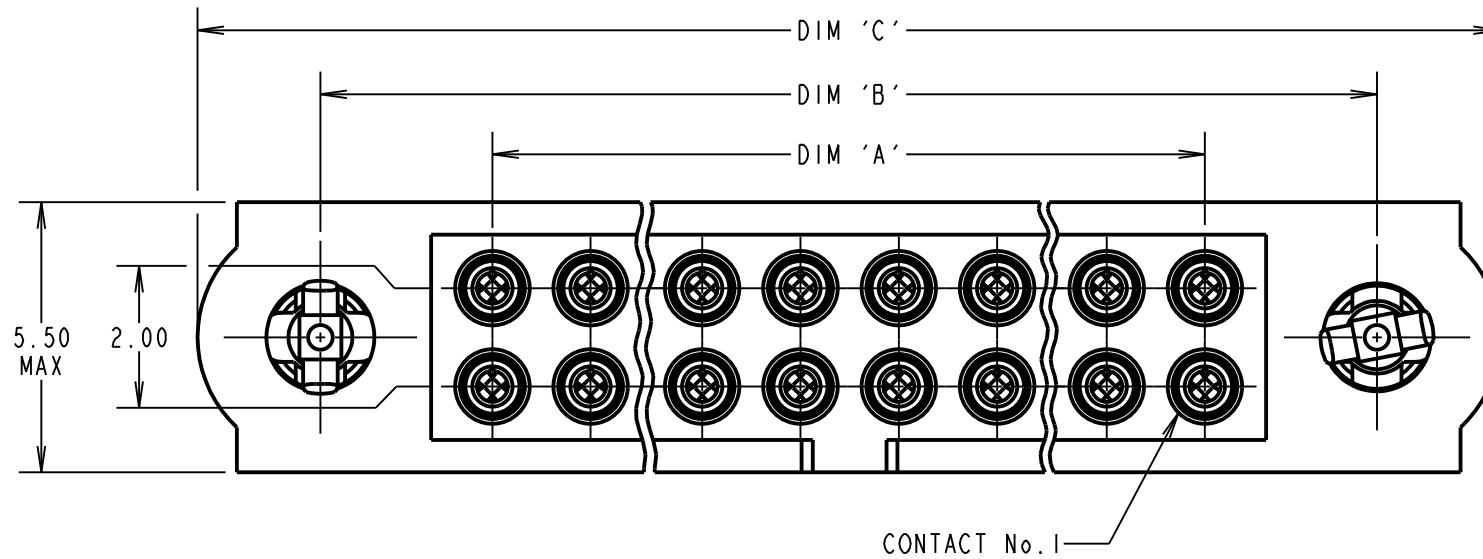
PACKING:

LOOSE

FOR COMPLETE SPECIFICATION, SEE COMPONENT SPECIFICATION C005XX (LATEST ISSUE)

NOTES:

- CONNECTOR IS SUPPLIED WITH CONTACTS LOOSE.
- FOR EXTRA CONTACTS, USE PART No.'s.
 M80-0110001 FOR M80-4D1XX42F1
 M80-0110005 FOR M80-4D1XX05F1
- RECOMMENDED WIRE TYPE = BS 3G 210 TYPE A, PTFE INSULATED 22 AWG. MAX INSULATION DIAMETER = ∅1.10mm, STRIP WIRE BY 2.00mm.
- RECOMMENDED HAND CRIMP TOOL = M22520/2-01 WITH POSITIONER T5747.
- CONTACT INSERTION & EXTRACTION TOOL = Z80-280
- INSTRUCTION SHEETS ARE AVAILABLE.
- SPRING LOAD WHEN SOLID = 2.64N.
 SPRING RATE = 1.32N/mm
- LENGTH WILL BE 1.90mm WHEN IOILOK JACKSCREWS ARE ENGAGED WITH RETAINERS IN MATING CONNECTOR.



CONTACT: (QTY = TOTAL No. OF CONTACTS)
 M80-01100XX (SEE NOTE 2)

05 = GOLD CLIP, GOLD SHELL
 01 = GOLD CLIP, 100% TIN OVER NICKEL SHELL

DIMENSION	CALCULATION
DIM 'A'	TOTAL No. OF CONTACTS - 2
DIM 'B'	TOTAL No. OF CONTACTS + 5
DIM 'C'	TOTAL NUMBER CONTACTS + 10

EXAMPLE ORDER CODE: CONNECTOR WITH 20 SIGNAL CONTACTS, GOLD CLIP AND 100% TIN OVER NICKEL SHELL
 M80-4D12042FC
 DIM 'A' = 18.00mm, DIM 'B' = 25.00mm, DIM 'C' = 30.00mm.

ORDER CODE: **M80-4D1XXXXFC**

TOTAL No. OF CONTACTS
 04 TO 50
 (EVEN NUMBERS ONLY)

FINISH CODE _____

05 - GOLD CLIP, GOLD SHELL
 42 - GOLD CLIP, 100% TIN OVER NICKEL SHELL

RTP	4	16.05.19	21531
NAME	ISS.	DATE	C/NOTE
APPROVED: R.PORTLOCK			
CHECKED: M.RUDKIN			
DRAWN: S.FLOWER			
CUSTOMER REF.:			
ASSEMBLY DRG:			

HARWIN

www.harwin.com
 technical@harwin.com

THIS DRAWING AND ANY INFORMATION OR DESCRIPTIVE MATTER SET OUT HEREON ARE CONFIDENTIAL AND COPYRIGHT PROPERTY OF THE HARWIN GROUP AND MUST NOT BE DISCLOSED, LOANED, COPIED OR USED FOR MANUFACTURING, TENDERING OR FOR ANY OTHER PURPOSE WITHOUT THEIR WRITTEN PERMISSION.

TOLERANCES

X. = ±1mm
 X.X = ±0.50mm
 X.XX = ±0.20mm
 X.XXX = ±0.01mm

ANGLES = ±5°
 UNLESS STATED

MATERIAL:
 SEE ABOVE

FINISH: SEE ABOVE

S/AREA: mm²

TITLE: DATAMATE J-TEK FEMALE CRIMP ASSY (LARGE BORE) WITH IOILOK JACKSCREWS

DRAWING NUMBER:
M80-4D1XXXXFC

SHT 2 OF 2

Mouser Electronics

Authorized Distributor

Click to View Pricing, Inventory, Delivery & Lifecycle Information:

Harwin:

[M80-4D10442FC](#) [M80-4D10805FC](#) [M80-4D10405FC](#) [M80-4D10605FC](#) [M80-4D10642FC](#) [M80-4D10842FC](#) [M80-4D11005FC](#) [M80-4D11042FC](#) [M80-4D11205FC](#) [M80-4D11242FC](#) [M80-4D11405FC](#) [M80-4D11442FC](#) [M80-4D12005FC](#) [M80-4D12042FC](#) [M80-4D12605FC](#) [M80-4D12642FC](#) [M80-4D13405FC](#) [M80-4D13442FC](#) [M80-4D14205FC](#) [M80-4D14242FC](#) [M80-4D15005FC](#) [M80-4D15042FC](#)