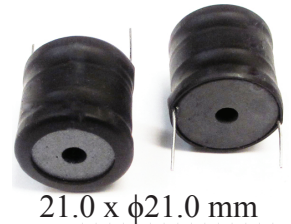


RADIAL DRUM CORE POWER CHOKE

AIRD-02



RoHS
Compliant



21.0 x φ21.0 mm

FEATURES:

- Ferrite core with UL tube
- Wire wound construction
- High current, low DCR

APPLICATIONS:

- Electronic Appliance
- Power Supplies
- TRIAC/SCR Control Circuits

STANDARD SPECIFICATIONS

Operating Temperature: -25°C~ +85°C

Storage Temperature: -25°C~ +125°C

Part Number	Inductance	Tolerance	DCR (Max)	Saturation Current (Max)	Temperature Rise Current (Max)
Units	μH	%	Ω	A	A
Symbol	L	K, M	DCR	Isat*	Irms*
AIRD-02-1R0	1.0	K, M	0.003	108	11.4
AIRD-02-1R2	1.2	K, M	0.003	108	11.4
AIRD-02-1R5	1.5	K, M	0.003	83	11.4
AIRD-02-1R8	1.8	K, M	0.003	68	11.4
AIRD-02-2R2	2.2	K, M	0.004	68	11.4
AIRD-02-2R7	2.7	K, M	0.005	58	11.4
AIRD-02-3R3	3.3	K, M	0.005	58	11.4
AIRD-02-3R9	3.9	K, M	0.005	50	11.4
AIRD-02-4R7	4.7	K, M	0.005	50	11.4
AIRD-02-5R6	5.6	K, M	0.006	44	11.4
AIRD-02-6R8	6.8	K, M	0.007	39	11.4
AIRD-02-8R2	8.2	K, M	0.007	36	11.4
AIRD-02-100	10	K	0.009	30	11.4
AIRD-02-120	12	K	0.009	27	11.4
AIRD-02-150	15	K	0.013	25	9.0
AIRD-02-180	18	K	0.018	22	7.2
AIRD-02-220	22	K	0.019	21	7.2
AIRD-02-270	27	K	0.026	20	5.5
AIRD-02-330	33	K	0.029	18	5.5
AIRD-02-390	39	K	0.030	17	5.5
AIRD-02-470	47	K	0.035	15	5.5
AIRD-02-560	56	K	0.039	13	5.5
AIRD-02-680	68	K	0.053	12	4.8
AIRD-02-820	82	K	0.060	11	4.8
AIRD-02-101	100	K	0.080	10	4.0
AIRD-02-121	120	K	0.090	9.4	4.0
AIRD-02-151	150	K	0.098	8.6	4.0
AIRD-02-181	180	K	0.110	7.8	4.0
AIRD-02-221	220	K	0.150	7.0	2.8
AIRD-02-271	270	K	0.213	6.3	2.0
AIRD-02-331	330	K	0.305	5.2	1.6
AIRD-02-391	390	K	0.320	4.9	1.6
AIRD-02-471	470	K	0.355	4.5	1.6
AIRD-02-561	560	K	0.388	4.1	1.6
AIRD-02-681	680	K	0.430	3.7	1.6
AIRD-02-821	820	K	0.590	3.4	1.3
AIRD-02-102	1000	K	0.818	3.1	1.0
AIRD-02-122	1200	K	1.140	2.7	0.8
AIRD-02-152	1500	K	1.260	2.4	0.8
AIRD-02-182	1800	K	1.390	2.2	0.8
AIRD-02-222	2200	K	1.540	2.0	0.8

Test Conditions and equipments

Test frequency: 1KHz, 0.1Vrms

DCR: QuadTech Milliohmmeter

Isat: 10% inductance drops from initial value

Irms: ΔT of 40°C temperature rise max

ABRACON IS
ISO 9001:2008
CERTIFIED



ABRACON
CORPORATION

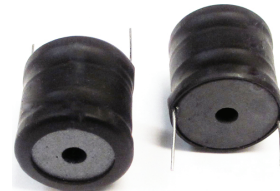
Visit www.abracon.com for Terms & Conditions of Sale **Revised: 07.31.12**
30332 Esperanza, Rancho Santa Margarita, California 92688
tel 949-546-8000 | fax 949-546-8001 | www.abracon.com

RADIAL DRUM CORE POWER CHOKE

AIRD-02



RoHS
Compliant



21.0 x ϕ 21.0 mm

PART NUMBER IDENTIFICATION

AIRD-02-

*1.0 ~ 8.2 μ H: K and M
10 ~ 2200 μ H: K only

Inductance Code

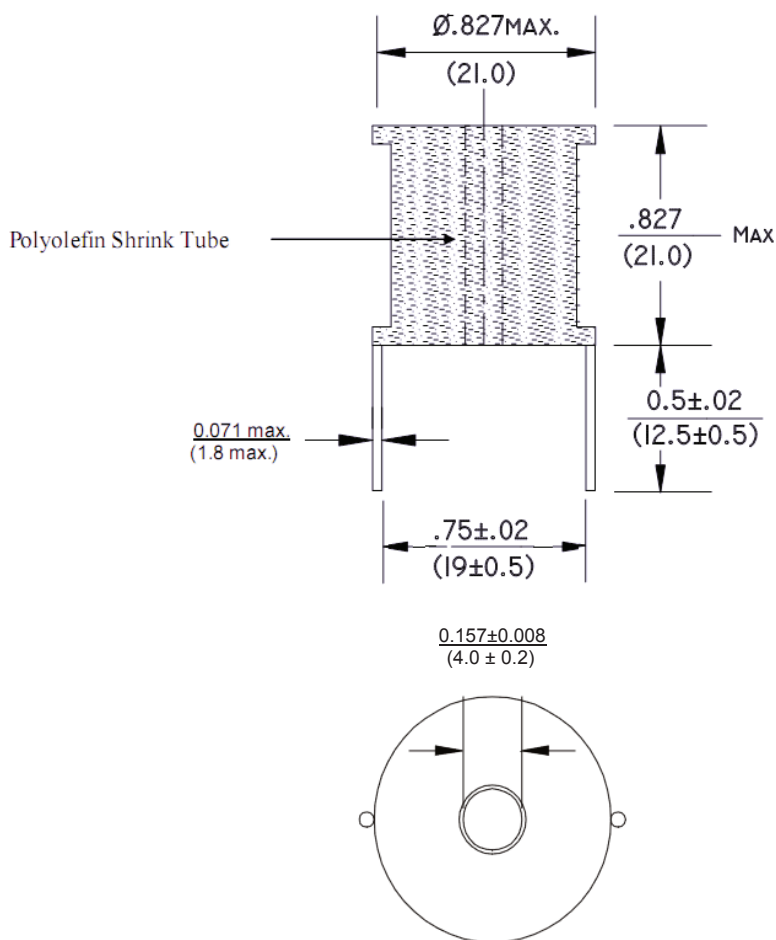
Please refer to the
Electrical Spec Table

Tolerance

M: $\pm 20\%^*$

K: $\pm 10\%^*$

OUTLINE DIMENSION:



Dimension: inch (mm)

ATTENTION: Abracon Corporation's products are COTS – Commercial-Off-The-Shelf products; suitable for Commercial, Industrial and, where designated, Automotive Applications. Abracon's products are not specifically designed for Military, Aviation, Aerospace, Life-dependant Medical applications or any application requiring high reliability where component failure could result in loss of life and/or property. For applications requiring high reliability and/or presenting an extreme operating environment, written consent and authorization from Abracon Corporation is required. Please contact Abracon Corporation for more information.

ABRACON IS
ISO 9001:2008
CERTIFIED



Visit www.abracon.com for Terms & Conditions of Sale
30332 Esperanza, Rancho Santa Margarita, California 92688
tel 949-546-8000 | fax 949-546-8001 | www.abracon.com

Revised: 07.31.12

Mouser Electronics

Authorized Distributor

Click to View Pricing, Inventory, Delivery & Lifecycle Information:

ABRACON:

[AIRD-02-100K](#) [AIRD-02-101K](#) [AIRD-02-102K](#) [AIRD-02-120K](#) [AIRD-02-121K](#) [AIRD-02-122K](#) [AIRD-02-150K](#) [AIRD-02-151K](#) [AIRD-02-152K](#) [AIRD-02-180K](#) [AIRD-02-181K](#) [AIRD-02-182K](#) [AIRD-02-1R0M](#) [AIRD-02-1R2M](#) [AIRD-02-1R5M](#) [AIRD-02-1R8M](#) [AIRD-02-220K](#) [AIRD-02-221K](#) [AIRD-02-222K](#) [AIRD-02-270K](#) [AIRD-02-271K](#) [AIRD-02-2R2M](#) [AIRD-02-2R7M](#) [AIRD-02-330K](#) [AIRD-02-331K](#) [AIRD-02-390K](#) [AIRD-02-391K](#) [AIRD-02-3R3M](#) [AIRD-02-3R9M](#) [AIRD-02-470K](#) [AIRD-02-471K](#) [AIRD-02-4R7M](#) [AIRD-02-560K](#) [AIRD-02-561K](#) [AIRD-02-5R6M](#) [AIRD-02-680K](#) [AIRD-02-681K](#) [AIRD-02-6R8M](#) [AIRD-02-820K](#) [AIRD-02-821K](#) [AIRD-02-8R2M](#) [AIRD-02-1R8K](#) [AIRD-02-3R3K](#)