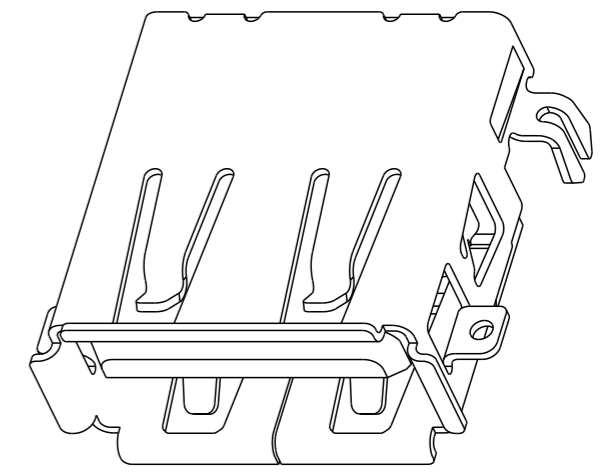
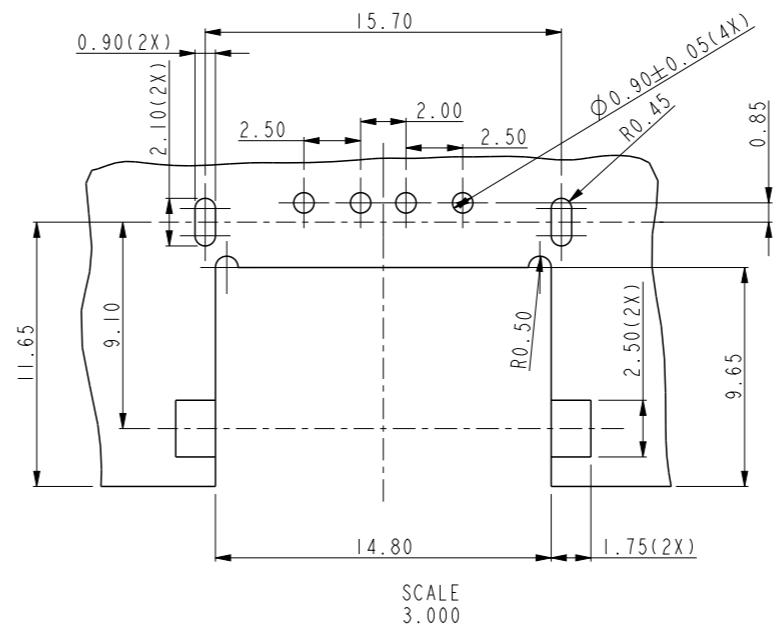
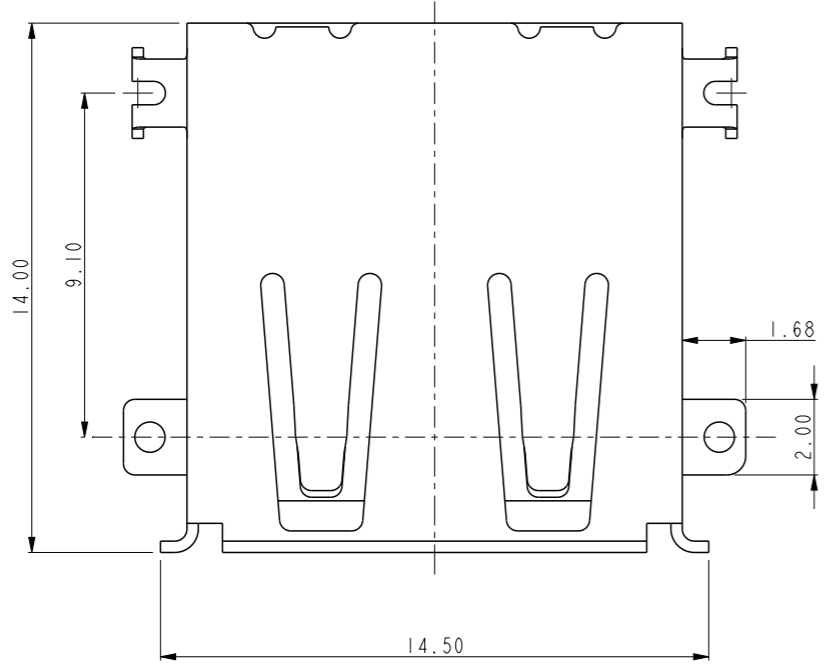
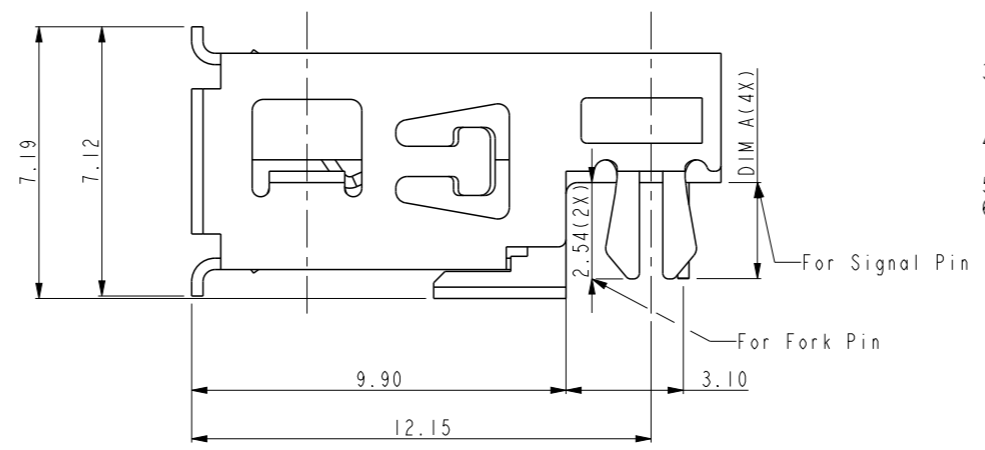
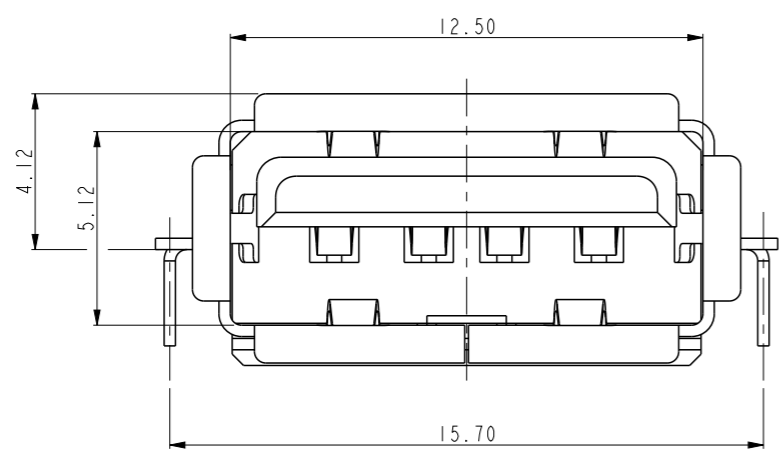


PART NUMBER  
SEE NOTE 6



SCALE  
3.000  
RECOMMENDED PCB LAYOUT (THICKNESS=1.2MM)  
TOLERANCE ±0.05



- NOTES:
- MATERIAL:  
HOUSING: HIGH TEMPERATURE THERMAL PLASTIC, UL94V-0, BLACK.  
TERMINAL: COPPER ALLOY.  
SHELL: COPPER ALLOY.
  - FINISH:  
TERMINAL:  
30u" GXT/Au ON CONTACT AREA.  
100u" MATTE TIN ON SOLDER TAIL.  
UNDER PLATING: 50u" Ni MIN. OVER ALL.  
SHELL:  
MATTE TIN OVER 50u" Ni OVER ALL.  
100u" MATTE TIN MIN ON SOLDER TAIL OVER 50u" Ni.
  - THIS PRODUCT WILL WITHSTAND EXPOSURE TO 260°C PEAK TEMPERATURE FOR 10 SECONDS IN A CONVECTION, INFRA-RED OR VAPOR PHASE REFLOW OVEN;
  - FOR LEAD FREE P/N, THE PRODUCT MEET EUROPEAN UNION DIRECTIVES AND OTHER COUNTRY REGULATION AS DESCRIBED IN GS-22-008.
  - THE PRODUCT CAN BE USED FOR PIP PROCESS.
  - PART NUMBER DEFINITION:  
10126196 - X 0X X LF
- LEAD FREE  
PACKING TYPE  
B: TUBE  
R: TAPE & REEL
- 01: DIM A=2.54  
02: DIM A=2.00
- PLATING CODE  
1: 30u" GXT ON CONTACT AREA  
2: 30u" Au ON CONTACT AREA

Amphenol  
FCi

© 2016 AFCI

spec ref	-	dr	John Han	2013/07/17	projection	MM	size	A3	scale	1.000
tolerance std	ISO 406 ISO 1101	eng	Laurence Zang	2017/11/20			ecn no	ELX-N-28523-1	rel level	Released
TOLERANCES UNLESS OTHERWISE SPECIFIED		chr	-	-			product family	-	rel level	Released
surface	linear	0.X	±0.3	<b>Amphenol FCI</b> www.fci.com	USB 2.0 A TYPE RECEPTACLE OFFSET TYPE		dwg no 10126196	rev C		
		0.XX	±0.20							
		0.XXX	±0.10							
ISO 1302	angular	0°	±2°	cat. no.	-	Product - Customer Drw	sheet 1 of 1			

# Mouser Electronics

Authorized Distributor

Click to View Pricing, Inventory, Delivery & Lifecycle Information:

[FCI / Amphenol:](#)

[10126196-102RLF](#)