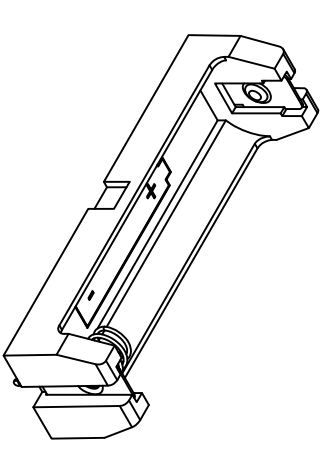
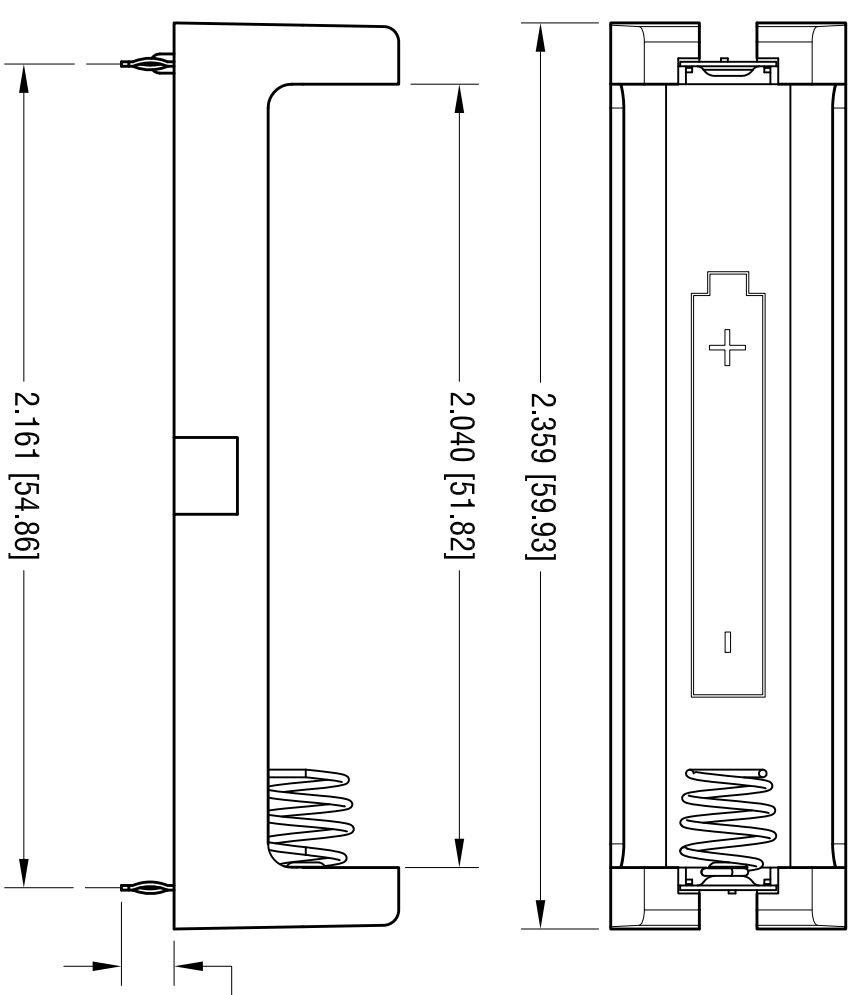
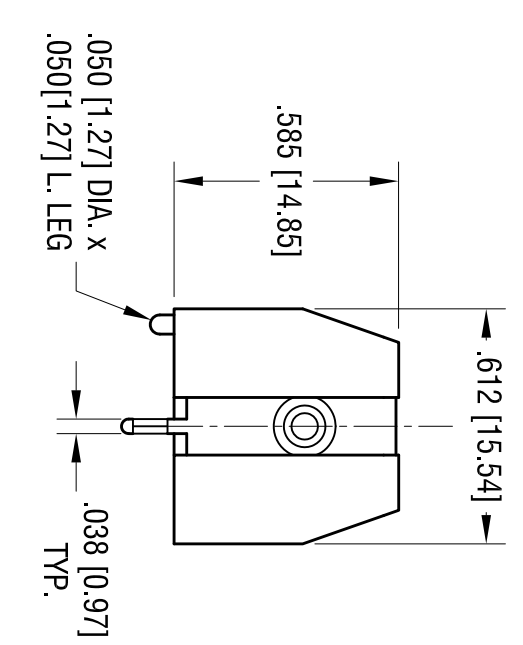
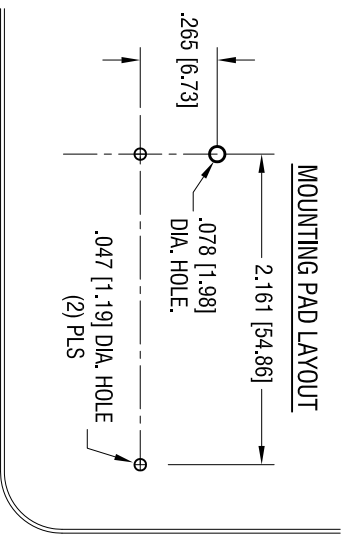


DATE	DESCRIPTION	REV.
1.23.17	CHANGE AS PER ECN 17-009	A



- NOTE:
1. BASE:
MATE'L: HEAT RESISTANCE NYLON
STANLYL 46 OR EQUIVALENT
 2. CONTACT:
MATE'L: .012 [0.30] THK STAINLESS STEEL
FINISH: NICKEL PLATE.

THIS DOCUMENT IS THE PROPERTY OF KEYSTONE ELECTRONICS CORP. AND SHALL NOT BE REPRODUCED, DISTRIBUTED OR USED AS A BASIS FOR MANUFACTURE WITHOUT PRIOR WRITTEN PERMISSION FROM KEYSTONE ELECTRONICS CORP.

KEYSTONE ELECTRONICS CORP.			
www.keystco.com • NEW HYDE PARK, NY 11040 • Tel (516) 328-7500			
PART NAME THM BATTERY HOLDER, 'AA'			
MATERIAL AS NOTED			
FINISH AS NOTED		DRN BY NT	DATE 6.12.14
TOLERANCES INCH [MM]		App'D LN	SCALE 2X
DECIMAL ± .010 [± 0.25]	ANGULAR ± 1°	CODE C	DWG NO. 1087

Mouser Electronics

Authorized Distributor

Click to View Pricing, Inventory, Delivery & Lifecycle Information:

[Keystone Electronics:](#)

[1087](#)