



Mallory Sonalert Products, Inc.

Part #:

**FL1M-6FW-1
6mm Panel Light**

Sales Outline Drawing

Revision:

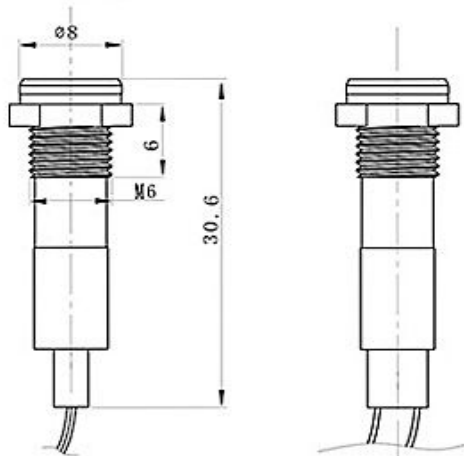
B

Specifications:

Panel Hole	6 mm
Voltage Type	AC/DC
LED Color Available	Red, Green, Blue, Yellow, or White
Lens Color	Same as LED
Rated Voltage Available	See table below
Max Current Draw	20 mA
Storage & Operating Temperature	-20 °C to +85 °C
Ingress Protection Rating	IP65
LED Life	70,000 hours
Weight (Typical)	5.1 g
Housing Material	Nickel-plated Brass, PA66, and Polycarbonate
Termination Type	Wires
Wire Specification	7.3" (185 mm) PTFE AWG24
Max Nut Torque	5.9 ft-lbs (8 Nm)
Panel Thickness	0.04-0.16" (1-4mm)
Hardware Kit	LM6-FSQ6-MHDP6

RoHS Compliant

Dimensions (mm):



Part Number:

FL1M-6FW-1-X#V

- B=Blue
- G=Green
- R=Red
- Y=Yellow
- W=White

Rated Voltage

Lead color may vary

Length for reference only.

	Light Intensity	Dominant Wavelength	Viewing Angle
Red	1000 -1500 mcd	622 nm	35°
Green	8000 -10000 mcd	522 nm	60°
Yellow	1000 -1500 mcd	590 nm	35°
Blue	2000 - 3000 mcd	464 nm	35°

Rated Voltage	2 VAC/DC	3 VAC/DC	6 VAC/DC	12 VAC/DC	24 VAC/DC	48 VAC/DC	110 VAC/DC	220 VAC/DC	380 VAC/DC
Red	1.8-2.2V	2.7-3.3V	5.4-6.6V	10.8-13.2V	21.6-26.4V	43.2-52.8V	99-121V	198-242V	342-418V
Green	N/A	3-3.2V	5.4-6.6V	10.8-13.2V	21.6-26.4V	43.2-52.8V	99-121V	198-242V	342-418V
Blue	N/A	3.12-3.2V	5.4-6.6V	10.8-13.2V	21.6-26.4V	43.2-52.8V	99-121V	198-242V	342-418V
Yellow	2-2.2V	2.7-3.3V	5.4-6.6V	10.8-13.2V	21.6-26.4V	43.2-52.8V	99-121V	198-242V	342-418V
White	N/A	3-3.2V	5.4-6.6V	10.8-13.2V	21.6-26.4V	43.2-52.8V	99-121V	198-242V	342-418V

Mouser Electronics

Authorized Distributor

Click to View Pricing, Inventory, Delivery & Lifecycle Information:

[Mallory Sonalert:](#)

[FL1M-6FW-1-R110V](#) [FL1M-6FW-1-R12V](#) [FL1M-6FW-1-R24V](#) [FL1M-6FW-1-R2V](#) [FL1M-6FW-1-G24V](#) [FL1M-6FW-1-Y12V](#) [FL1M-6FW-1-Y2V](#) [FL1M-6FW-1-Y110V](#) [FL1M-6FW-1-G12V](#) [FL1M-6FW-1-G3V](#) [FL1M-6FW-1-Y24V](#)