

PRODUCT NUMBER
20020111-XXXXXXLF

20020111-□ □ □ □ A 0 □ LF

PITCH
C : 3.50 mm
D : 3.81 mm
G : 5.00 mm
H : 5.08 mm



POLES
02: 2 POLES
03: 3 POLES
04: 4 POLES
.
.
.
24: 24 POLES

LF : DENOTED ROHS COMPATIBLE
1 : STANDARD PRODUCT
W/ BOX PACKING

HOUSING CODE

CODE	COLOR	AVAILABILTY
1	GREEN(RAL 6018/T)	STANDARD
2	BLACK	ON REQUEST ONLY
3	GREY(RAL 7004/P)	ON REQUEST ONLY
4	BLUE(RAL 5015/A)	ON REQUEST ONLY

PROPERTY TABLE

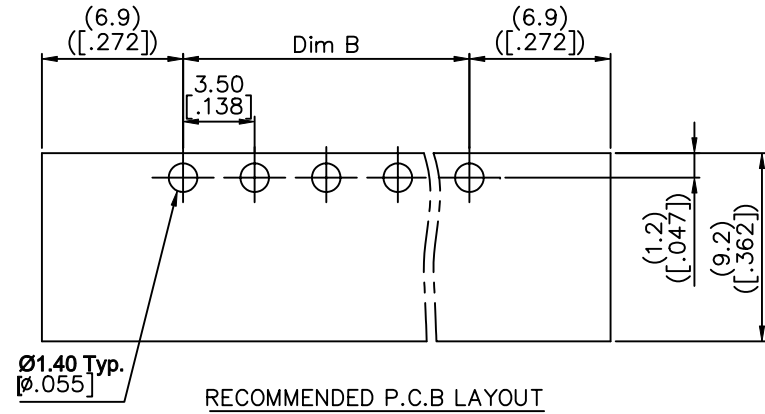
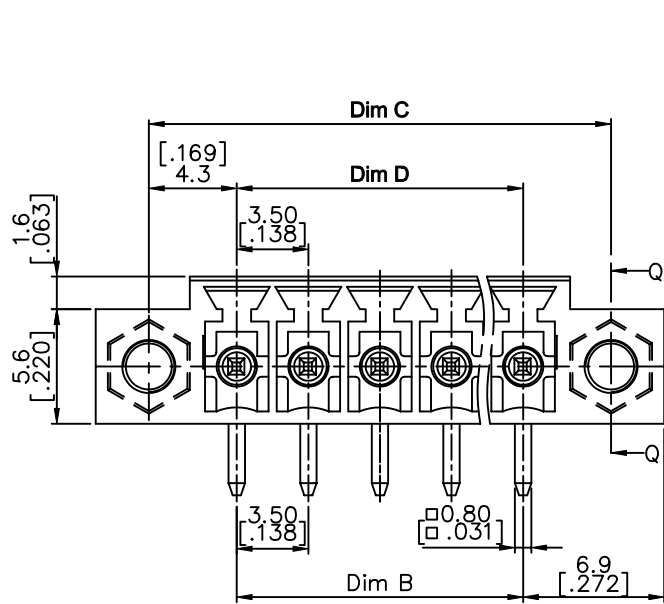
FCI SERIES NAME		06-350	06-381	06-500	06-508
PITCH (mm)		3.50	3.81	5.00	5.08
VOLTAGE RATING (VAC)		300	300	300	300
CURRENT RATING (A)	cULus	10	10	12	12
	VDE	10.5	10.5	NA	NA
WITHSTANDING VOLTAGE (kV)	cULus	1.6	1.6	1.6	1.6
	VDE	2.5	2.5	NA	NA
OPERATING TEMP. (°C)		-40~+115	-40~+115	-40~+115	-40~+115
SOLDERING TEMP. (°C)		250±10 (5 sec.)	250±10 (5 sec.)	250±10 (5 sec.)	250±10 (5 sec.)
POLES AVAILABLE		02~24	02~24	02~24	02~24
SAFETY CERTIFICATE					

NOTES:

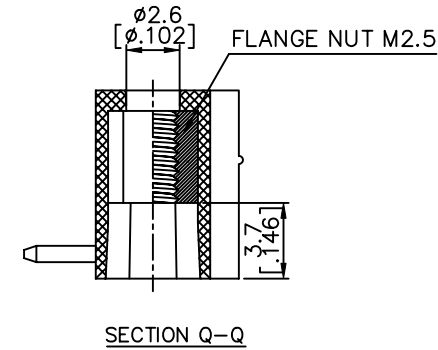
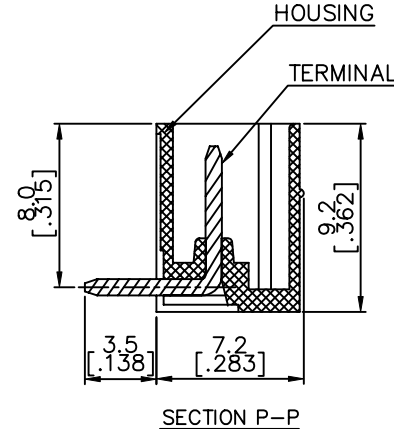
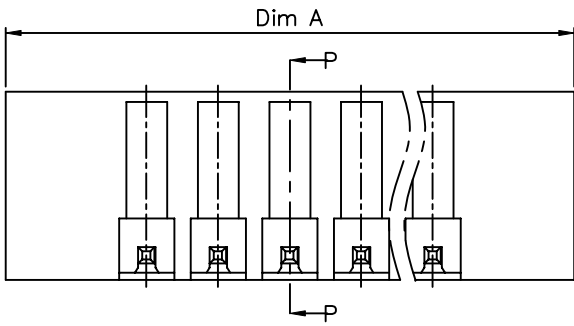
- MATERIALS
1-1 HOUSING: THERMALPLASTIC RESIN, UL 94V-0 RATED.
1-2 TERMINAL: COPPER ALLOY, TIN PLATED.
- PRODUCT SPECIFICATION REFER TO FCI GS-12-625.
- BOXED PACKAGING,
DETAILED PRODUCT PACKING SPECIFICATION REFER TO FCI GS-14-1394.
- FCI, SAFETY CERTIFICATE LOGO AND SERIES NAME TO BE SHOWN ON PRODUCT SURFACE.
- THE PRODUCTS WHERE THE PART NUMBER END IN "LF" MEET THE EUROPEAN UNION DIRECTIVE AND OTHER COUNTRY REGULATIONS AS DESCRIBED IN GS-22-008.
- RECOMENDED SOLDERING PROCESS BY WAVE SOLDER.

mat'l. code		surface ASME Y14.5 ✓		tolerance ASME Y14.5		projection		product family	
litr		ecn no	dr	date		tolerances unless otherwise specified		TERMINAL BLOCK	
A	T10-0062	WL		050710		X.±0.5[.020]		title	
B	T10-0155	WL		093010		X.X±0.3[.012]		TERMINAL BLOCK PLUGGABLE, SOCKET, SIGNAL, R/A W/FLANGE	
C	T10-0187	WL		121410		X'±1"		scale	
D	T11-0006	WL		012611		dr WENDY CHEN 042610		dwg no	
E	T11-0013	WL		040811		enr JASON HSU 042610		sheet 1 of 5 size	
F	T-004860	WL		080411		chr GARY HSIEH 042610		20020111 A4	
						appd JOSEPH HSIA 042610		type	
								CUSTOMER Drawing	
sheet index	revision	F	F	F	F	F	F		
	sheet	1	2	3	4	5			

PRODUCT NUMBER	SERIES NAME	PITCH
20020111-CXXXXXXLF	06-350	3.50 mm



RECOMMENDED P.C.B LAYOUT



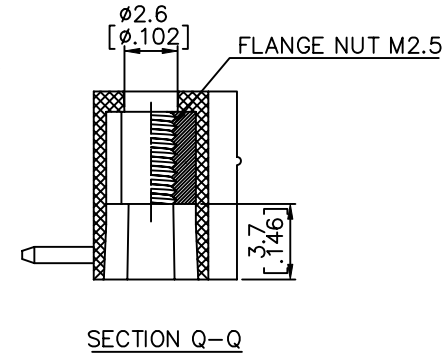
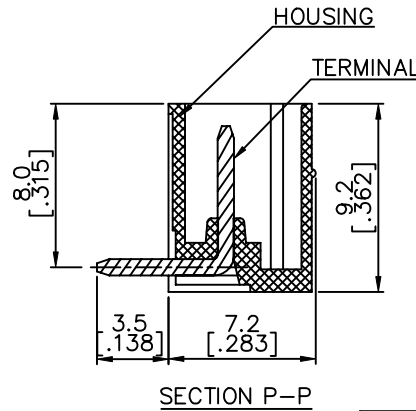
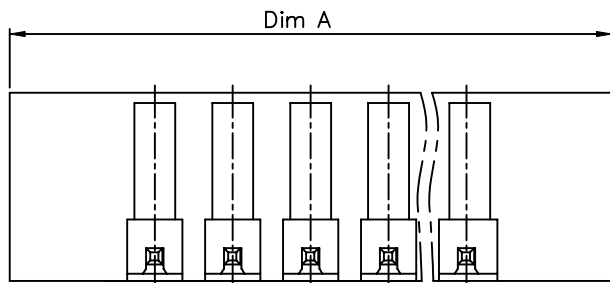
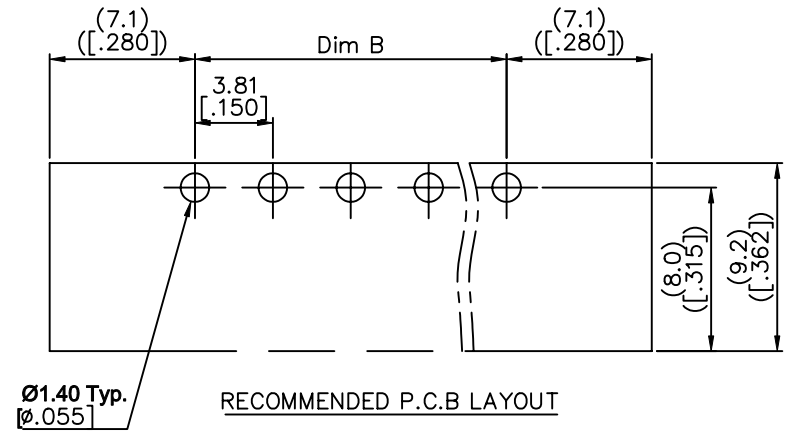
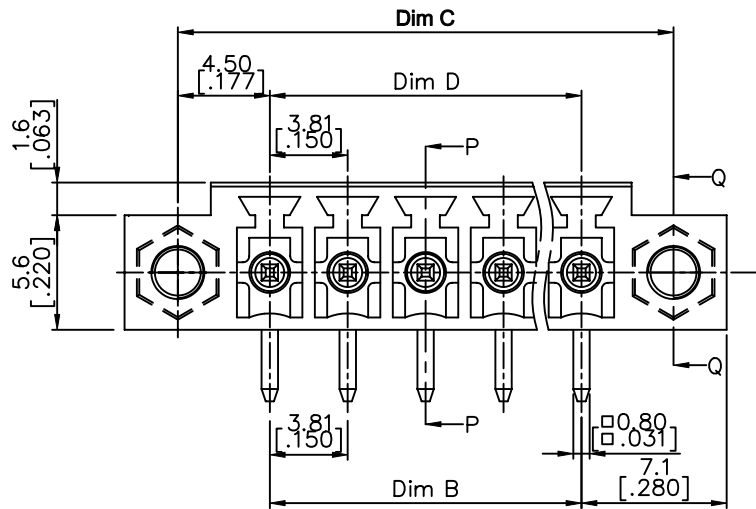
N= Number of poles

Dim A	$(N-1)*3.5[.138]+13.8[.543]$
Dim B	$(N-1)*3.5[.138]$
Dim C	$(N-1)*3.5[.138]+8.6[.339]$
Dim D	$(N-1)*3.5[.138]$

Poles	Tolerance
2p-6p	$\pm 0.15[.006]$
7p-12p	$\pm 0.20[.008]$
13p-16p	$\pm 0.25[.010]$
17p-24p	$\pm 0.30[.012]$

mat'l. code		surface ASME Y14.5	tolerance ASME Y14.5	projection	product family TERMINAL BLOCK
ltr	ecn no	dr	date	 MM INCH	title TERMINAL BLOCK PLUGGABLE, SOCKET, SIGNAL, R/A W/FLANGE
F					
		angles	X. \pm 0.5[.020] X.X \pm 0.3[.012] X* \pm 1* X.XX \pm 0.1[.004]	scale	sheet 2 of 5 size dwg no 20020111 type CUSTOMER Drawing
sheet index		revision sheet			

PRODUCT NUMBER	SERIES NAME	PITCH
20020111-DXXXXXXLF	06-381	3.81 mm



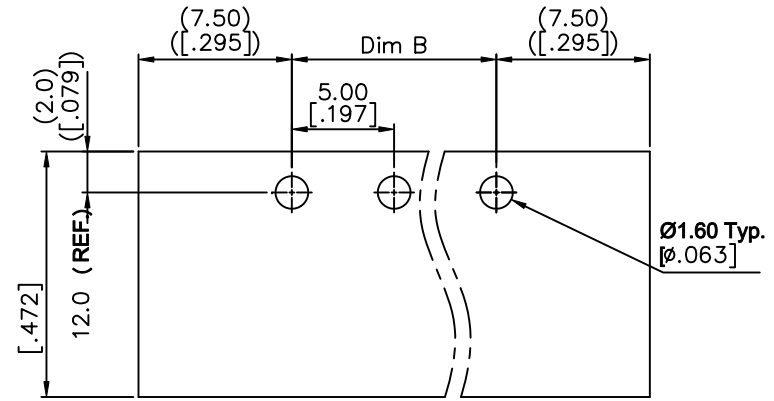
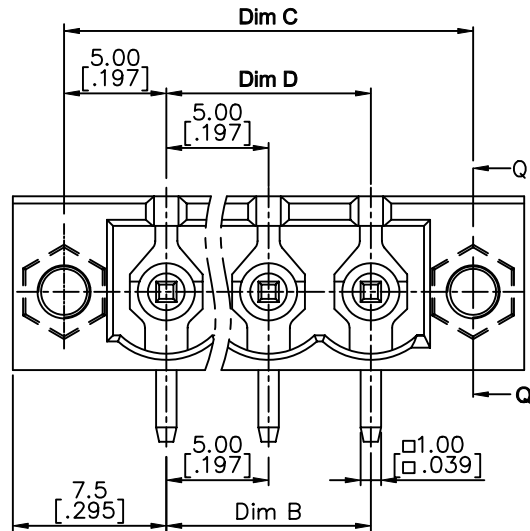
N= Number of poles

Dim A	$(N-1)*3.81[.150]+14.2[.559]$
Dim B	$(N-1)*3.81[.150]$
Dim C	$(N-1)*3.81[.150]+9.0[.354]$
Dim D	$(N-1)*3.81[.150]$

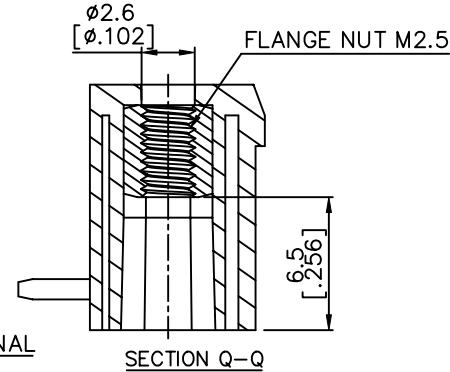
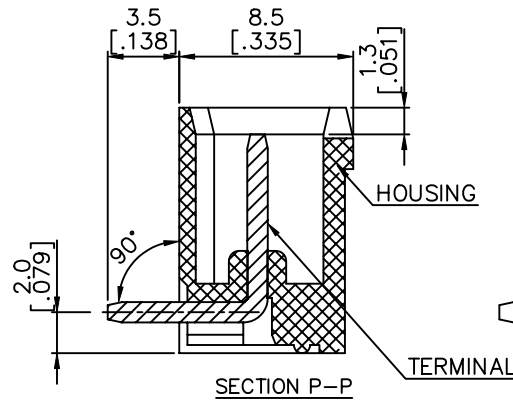
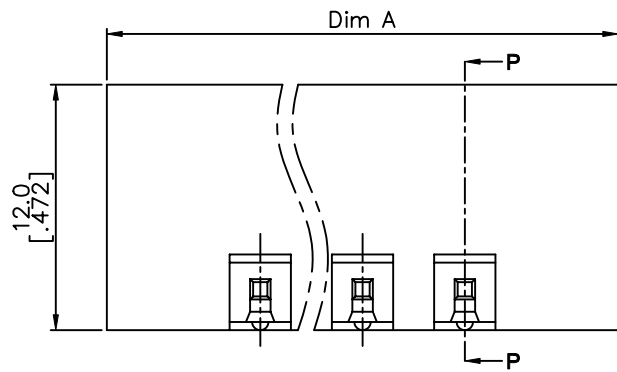
Poles	Tolerance
2p-6p	$\pm 0.15[.006]$
7p-12p	$\pm 0.20[.008]$
13p-16p	$\pm 0.25[.010]$
17p-24p	$\pm 0.30[.012]$

mat'l. code	surface ASME Y14.5	tolerance ASME Y14.5	projection	product family
ltr	ecn no	dr	date	TERMINAL BLOCK
F				title
				TERMINAL BLOCK
				PLUGGABLE, SOCKET, SIGNAL, R/A
				W/FLANGE
				dwg no
				sheet 3 of 5 size
				20020111
				A4
				type
				CUSTOMER Drawing
sheet index	revision sheet			

PRODUCT NUMBER	SERIES NAME	PITCH
20020111-GXXXXXL	06-500	5.00 mm



RECOMMENDED PCB LAYOUT



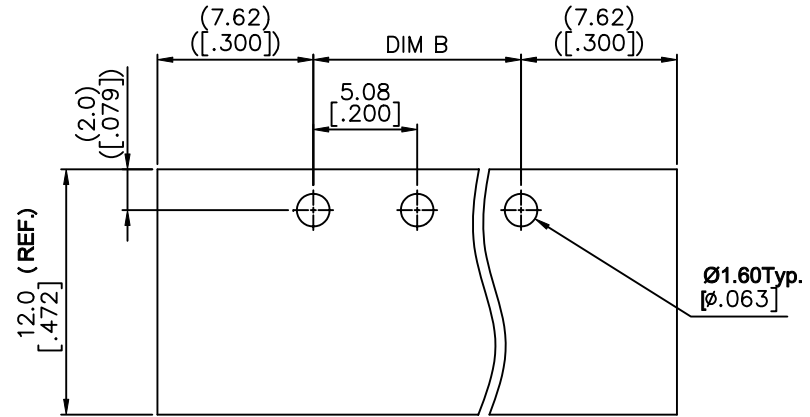
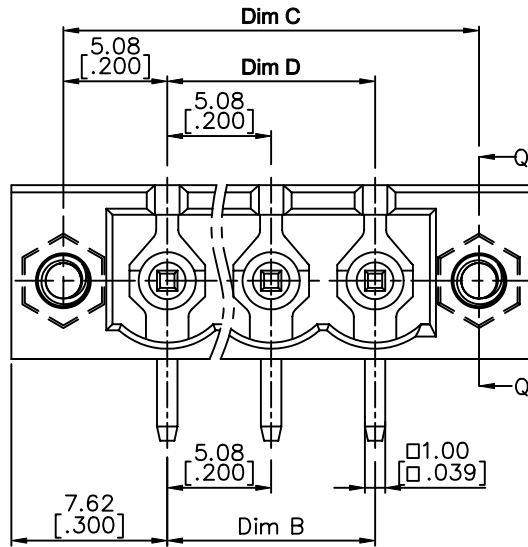
N= NUMBER OF POLES

Dim A	(N+2)*5.0 [.197]
Dim B	(N-1)*5.0 [.197]
Dim C	(N+1)*5.0 [.197]
Dim D	(N-1)*5.0 [.197]

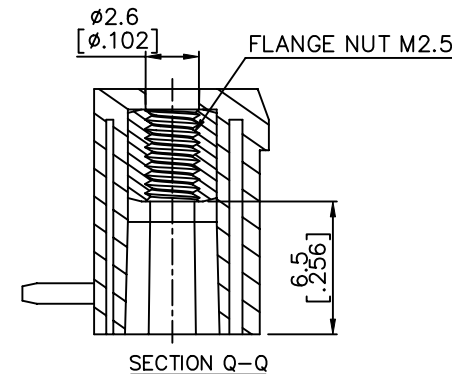
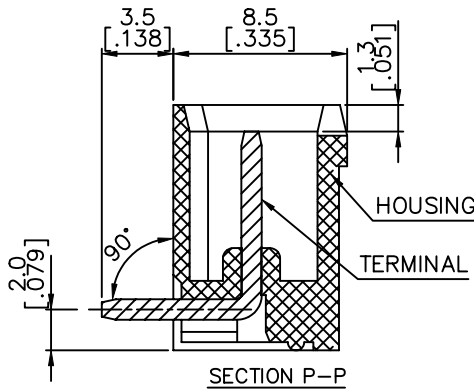
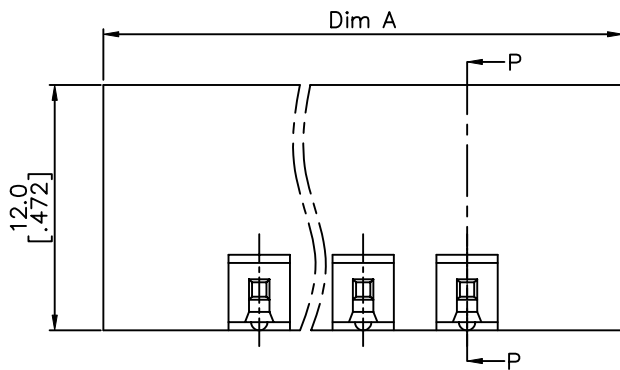
Poles	Tolerance
2P-6P	±0.15 [.006]
7P-12P	±0.20 [.008]
13P-18P	±0.25 [.010]
19P-24P	±0.30 [.012]

mat'l. code	surface ASME Y14.5	tolerance ASME Y14.5	projection	product family
ltr	ecn no	dr	date	TERMINAL BLOCK
F				title
				TERMINAL BLOCK PLUGGABLE, SOCKET, SIGNAL, R/A W/FLANGE
				dwg no
				sheet 4 of 5 size
				20020111
				A4
				type
				CUSTOMER Drawing
sheet index	revision sheet			

PRODUCT NUMBER	SERIES NAME	PITCH
20020111-HXXXXXXLF	06-508	5.08 mm



RECOMMENDED PCB LAYOUT



N= NUMBER OF CONCATS

Dim A	(N+2)*5.08[.200]
Dim B	(N-1)*5.08[.200]
Dim C	(N+1)*5.08[.200]
Dim D	(N-1)*5.08[.200]

Poles	Tolerance
2P-6P	±0.15[.006]
7P-12P	±0.20[.008]
13P-18P	±0.30[.012]
19P-24P	±0.40[.016]

mat'l. code	surface ASME Y14.5	tolerance ASME Y14.5	projection	product family
ltr	ecn no	dr	date	TERMINAL BLOCK
F				title
				TERMINAL BLOCK PLUGGABLE, SOCKET, SIGNAL, R/A W/FLANGE
				dwg no
				sheet 5 of 5 size
				20020111
				A4
				type
				CUSTOMER Drawing
sheet index	revision sheet			

Mouser Electronics

Authorized Distributor

Click to View Pricing, Inventory, Delivery & Lifecycle Information:

Amphenol:

[20020111-C022A01LF](#) [20020111-H022A01LF](#) [20020111-H041A01LF](#) [20020111-H101A01LF](#) [20020111-G081A01LF](#)
[20020111-H031A01LF](#) [20020111-G041A01LF](#) [20020111-G061A01LF](#) [20020111-H081A01LF](#) [20020111-](#)
[G031A01LF](#) [20020111-H061A01LF](#) [20020111-G021A01LF](#) [20020111-G101A01LF](#) [20020111-H021A01LF](#)
[20020111-G151A01LF](#) [20020111-G241A01LF](#) [20020111-G141A01LF](#) [20020111-H171A01LF](#) [20020111-G111A01LF](#)
[20020111-G181A01LF](#) [20020111-G211A01LF](#) [20020111-H111A01LF](#) [20020111-H241A01LF](#) [20020111-](#)
[H141A01LF](#) [20020111-G201A01LF](#) [20020111-H121A01LF](#) [20020111-G091A01LF](#) [20020111-H231A01LF](#)
[20020111-G022A01LF](#) [20020111-H201A01LF](#) [20020111-H221A01LF](#) [20020111-G191A01LF](#) [20020111-G231A01LF](#)
[20020111-H051A01LF](#) [20020111-G221A01LF](#) [20020111-G171A01LF](#) [20020111-G051A01LF](#) [20020111-](#)
[H131A01LF](#) [20020111-H091A01LF](#) [20020111-G131A01LF](#) [20020111-G161A01LF](#) [20020111-G071A01LF](#)
[20020111-H071A01LF](#) [20020111-G121A01LF](#) [20020111-H191A01LF](#) [20020111-H161A01LF](#) [20020111-H211A01LF](#)
[20020111-H181A01LF](#) [20020111-H151A01LF](#) [20020111-C082A01LF](#) [20020111-C042A01LF](#) [20020111-C102A01LF](#)
[20020111-H042A01LF](#)