

PRODUCT NUMBER  
20020002-XXXXXXLF

20020002 - [ ] [ ] [ ] [ ] [ ] [ ] [ ] LF

PITCH

G: 5.00 mm  
H: 5.08 mm

POLES

02: 2 poles  
03: 3 poles  
04: 4 poles  
|  
|  
24: 24 poles

LF : DENOTED RoHS COMPATIBLE

1 : STANDARD PRODUCT  
W/ BOX PACKING

SCREW CODE

CODE	SCREW TYPE	AVAILABILITY
A	-/+	ON REQUEST ONLY
B	-	STANDARD

ALL FLANGE SCREWS ARE ONLY AVAILABLE IN +/- COMBINATION SCREW TYPES.

PROPERTY TABLE			
FCI SERIES NAME		01-500	01-508
PITCH (mm)		5.00	5.08
VOLTAGE RATING (VAC)		300	300
CURRENT RATING (A)		12	12
APPLICABLE WIRE RANGE (AWG)	1-WIRE	12~24	12~24
	2-WIRE	18	18
WIRE CROSS SECTION (mm <sup>2</sup> )	SOLID	1-WIRE	2.5
		2-WIRE	1.0
	STRANDED	1-WIRE	2.5
		2-WIRE	1.5
OPENING CONTACT HOUSING(mm <sup>2</sup> )		2.6x3.2	2.6x3.2
WIRE STRIP LENGTH(mm)		7~8	7~8
TORQUE +/-10% (N-m/Lb-in)		0.57/5.0	0.57/5.0
SCREW		M3x0.5	M3x0.5
WITHSTANDING VOLTAGE (kV)		1.6	1.6
OPERATING TEMP. (°C)		-40~+115	-40~+115
POLES AVAILABLE		02~24	02~24
SAFETY CERTIFICATE			

HOUSING CODE

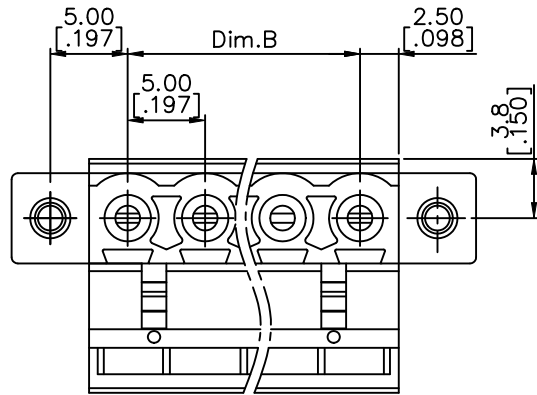
CODE	COLOR	AVAILABILITY
1	GREEN(RAL 6018/T)	STANDARD
2	BLACK	ON REQUEST ONLY
3	GREY(RAL 7004/P)	ON REQUEST ONLY
4	BLUE(RAL 5015/A)	ON REQUEST ONLY

NOTES:

- MATERIALS  
1-1 HOUSING: THERMALPLASTIC RESIN, UL 94V-0 RATED.  
1-2 SCREW: STEEL, ZINC PLATED.  
1-3 CLAMP: COPPER ALLOY, NICKEL PLATED.  
1-4 TERMINAL: COPPER ALLOY, TIN PLATED.
- PRODUCT SPECIFICATION REFER TO FCI GS-12-625.
- PRODUCT PACKING SPECIFICATION REFER TO FCI GS-14-1394.
- FCI, SAFETY CERTIFICATE LOGO AND SERIES NAME TO BE SHOWN ON PRODUCT SURFACE.
- THE PRODUCTS WHERE THE PART NUMBER END IN "LF" MEET THE EUROPEAN UNION DIRECTIVE AND OTHER COUNTRY REGULATIONS AS DESCRIBED IN GS-22-008.

mat'l. code				surface ASME Y14.5 ✓		tolerance ASME Y14.5		projection		product family TERMINAL BLOCK	
litr ecn no dr date				tolerances unless otherwise specified							
A	T10-0082	WL	080510	angles to file		X.±0.5		MM [INCH]		title	
B	T10-0158	WL	100410	X'±1"		X.X±0.3		scale		TERMINAL BLOCK PLUGGABLE, PLUG, SINGAL, W/FLANGE DOWNSIDE CONTACT	
C	T-005908	WL	091311	dr WENDY CHEN		051410		FCI		sheet 1 of 3 size	
				enrg JASON HSU		051410				20020002 A4	
				chr GARY HSIEH		051410				type CUSTOMER Drawing	
				appd JOSEPH HSIA		051410					
sheet index	revision sheet	C 1	C 2	C 3							

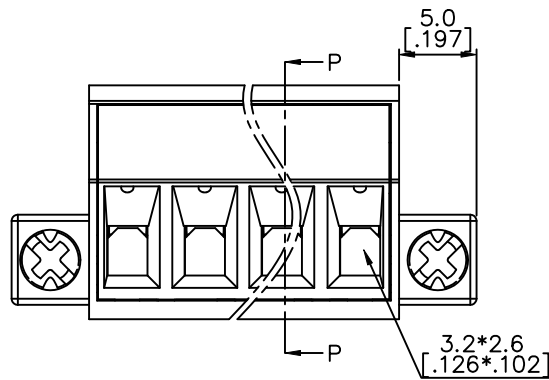
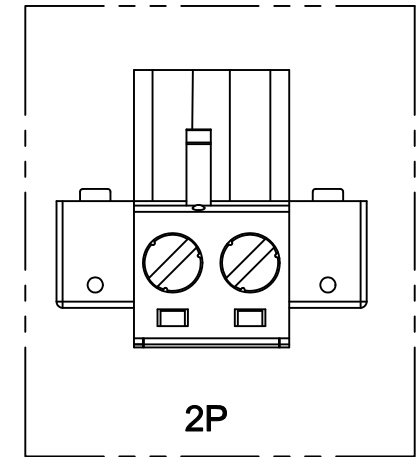
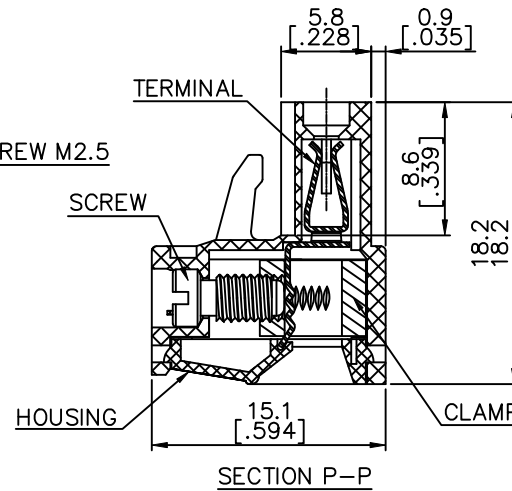
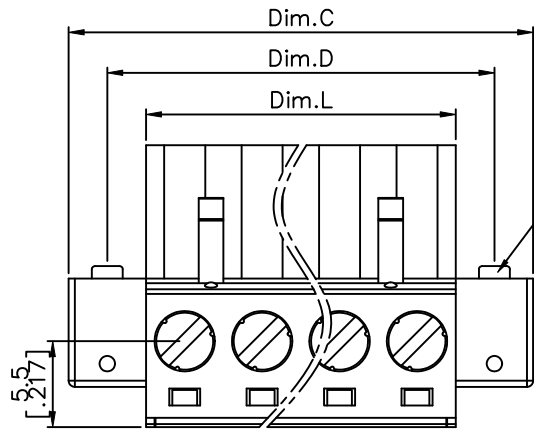
PRODUCT NUMBER	SERIES NAME	PITCH
20020002-GXXXXXLf	01-500	5.00 mm



N= Number of poles

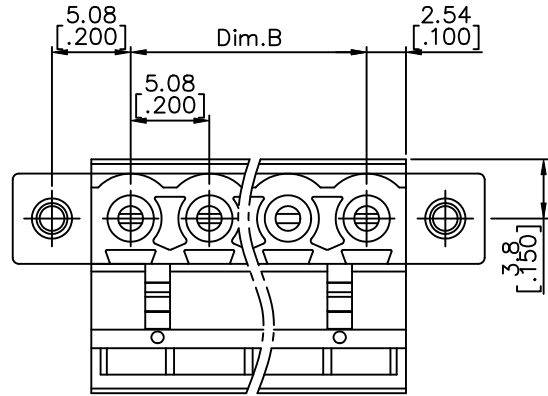
Dim L	N*5.0 [.197]
Dim B	(N-1)*5.0 [.197]
Dim C	(N+2)*5.0 [.197]
Dim D	(N+1)*5.0 [.197]

Poles	Tolerance
2P-7P	±0.15 [.006]
8P-12P	±0.25 [.010]
13P-18P	±0.30 [.012]
19P-24P	±0.40 [.016]



mat'l. code	surface ASME Y14.5	tolerance ASME Y14.5	projection MM [INCH]	product family TERMINAL BLOCK	
ltr	ecn	no	dr	date	title TERMINAL BLOCK PLUGGABLE, PLUG, SINGAL, W/FLANGE DOWNSIDE CONTACT
tolerances unless otherwise specified					scale
angles					
X±1°					
X.X±0.3					
X.XX±0.1					
dr WENDY CHEN 051410					sheet 2 of 3 size
enr JASON HSU 051410					20020002 A4
chr GARY HSIEH 051410					type CUSTOMER Drawing
appd JOSEPH HSIA 051410					
sheet index	revision sheet				

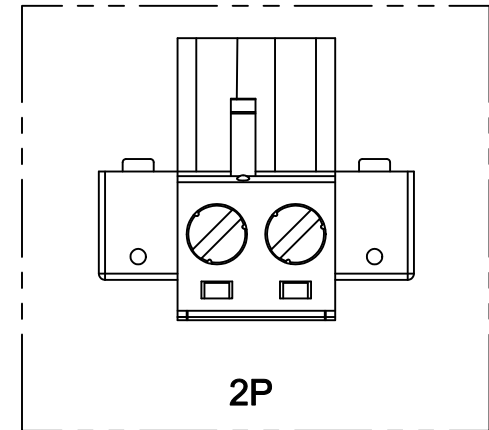
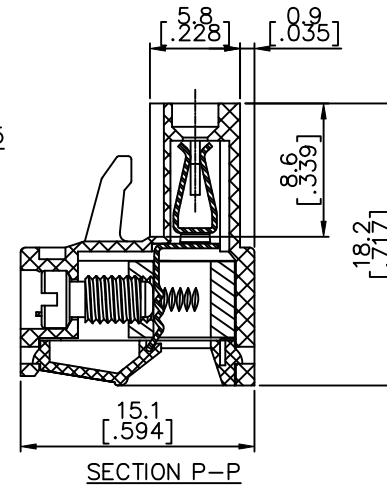
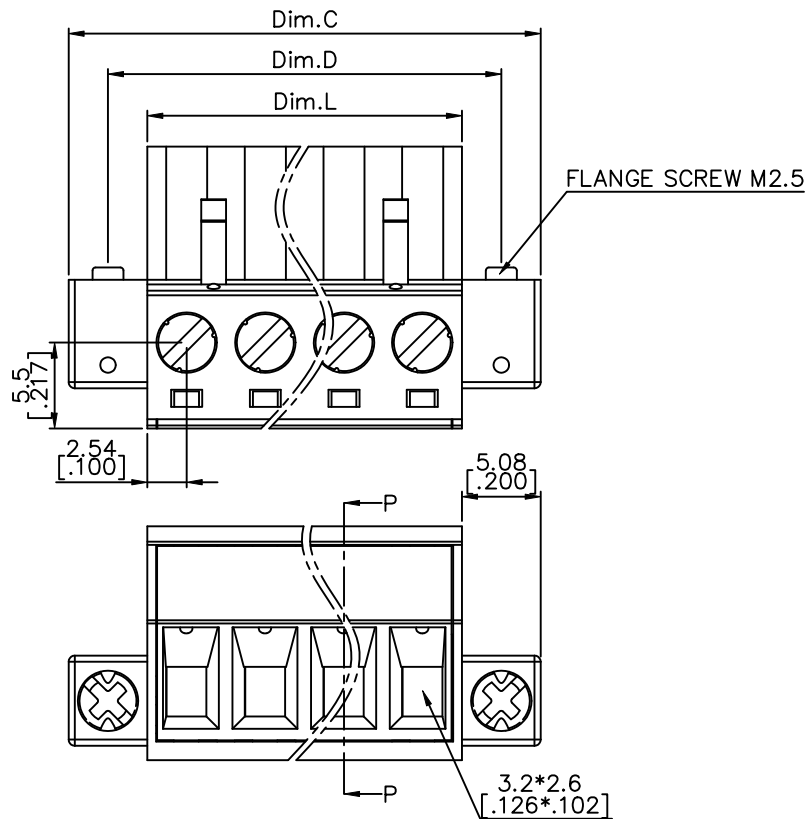
PRODUCT NUMBER	SERIES NAME	PITCH
20020002-HXXXXXLFF	01-508	5.08 mm



N= Number of poles

Dim L	$N * 5.08 [ .200 ]$
Dim B	$(N-1) * 5.08 [ .200 ]$
Dim C	$(N+2) * 5.08 [ .200 ]$
Dim D	$(N+1) * 5.08 [ .200 ]$

Poles	Tolerance
2P-7P	$\pm 0.15 [ .006 ]$
8P-12P	$\pm 0.25 [ .010 ]$
13P-18P	$\pm 0.30 [ .012 ]$
19P-24P	$\pm 0.40 [ .016 ]$



mat'l. code	surface ASME Y14.5	tolerance ASME Y14.5	projection MM INCH	product family TERMINAL BLOCK
ltr	ecn no	dr	date	title TERMINAL BLOCK PLUGGABLE, PLUG, SINGAL, W/FLANGE DOWNSIDE CONTACT
c				scale sheet 3 of 3 size
				dwg no 20020002
				type CUSTOMER Drawing
dr	WENDY CHEN	051410		
enr	JASON HSU	051410		
chr	GARY HSIEH	051410		
appd	JOSEPH HSIA	051410		
sheet index	revision sheet			

# Mouser Electronics

Authorized Distributor

Click to View Pricing, Inventory, Delivery & Lifecycle Information:

## Amphenol:

[20020002-H022B01LF](#) [20020002-H061B01LF](#) [20020002-G041B01LF](#) [20020002-G101B01LF](#) [20020002-G061B01LF](#) [20020002-H021B01LF](#) [20020002-H081B01LF](#) [20020000-D061B01LF](#) [20020002-G021B01LF](#) [20020002-G081B01LF](#) [20020002-H101B01LF](#) [20020002-H041B01LF](#) [20020002-G031B01LF](#) [20020002-H071B01LF](#) [20020002-H051B01LF](#) [20020002-H121B01LF](#) [20020000-C052B01LF](#) [20020000-C062B01LF](#) [20020000-C042B01LF](#) [20020002-H042B01LF](#) [20020002-H032B01LF](#)

## FCI / Amphenol:

[20020002H022B01L](#)