

## HPP V4 USB 2.0 A; PFT insert

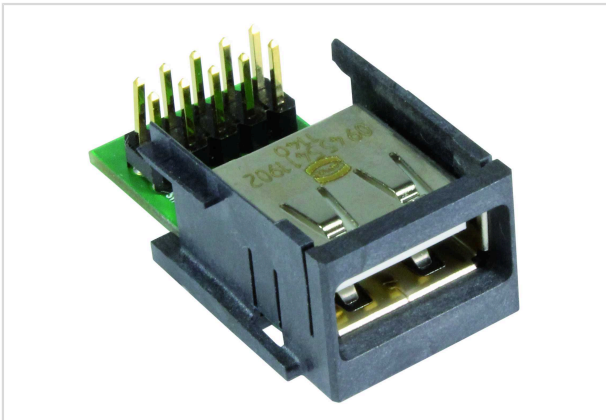


Image is for illustration purposes only. Please refer to product description.

Part number	09 45 541 1902
Specification	HPP V4 USB 2.0 A; PFT insert
HARTING eCatalogue	<a href="https://b2b.harting.com/09455411902">https://b2b.harting.com/09455411902</a>

### Identification

Category	Connectors
Series	HARTING PushPull (V4)
Identification	USB
Element	Adapter PCB
Specification	USB 2.0 type A
Adapter for	Jack to pin header

### Version

Shielding	Fully shielded, 360° shielding contact
Number of contacts	4

### Technical characteristics

Limiting temperature	-40 ... +70 °C
Mating cycles	≥750

### Material properties

RoHS	compliant
ELV status	compliant
China RoHS	e
REACH Annex XVII substances	No
REACH ANNEX XIV substances	No
REACH SVHC substances	No

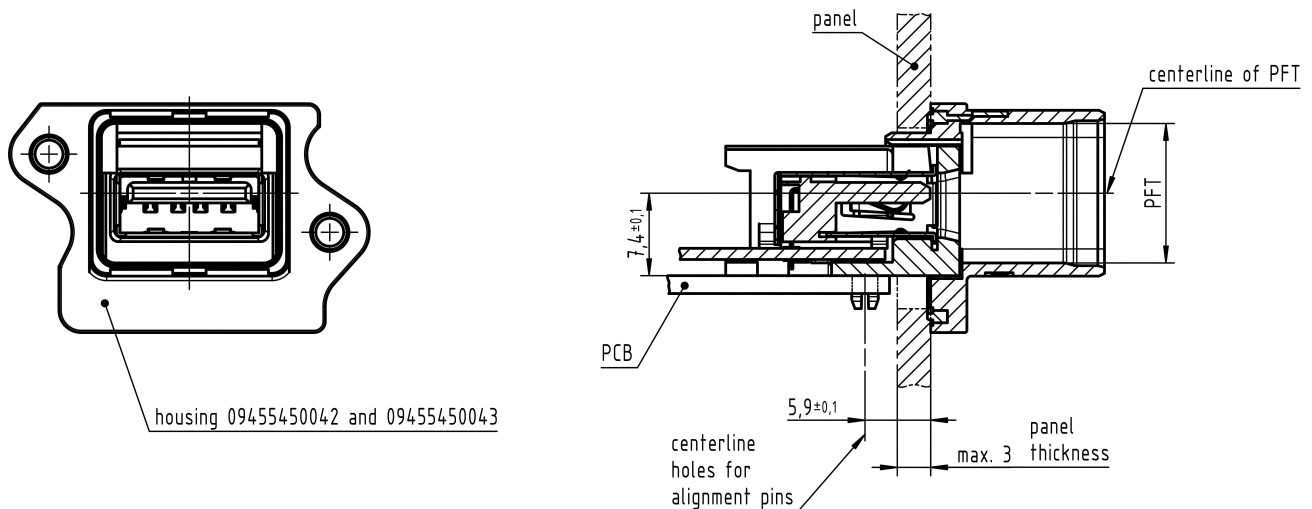
## Specifications and approvals

Specifications	IEC 61076-3-106 Variant 4 (V4)
Approvals	DNV GL

## Commercial data

Packaging size	1
Net weight	4.44 g
Country of origin	Germany
European customs tariff number	85366930
eCl@ss	27440205 Contact insert for industrial connectors

## Mounting instruction



# Mouser Electronics

Authorized Distributor

Click to View Pricing, Inventory, Delivery & Lifecycle Information:

[HARTING:](#)

[09455411902](#)