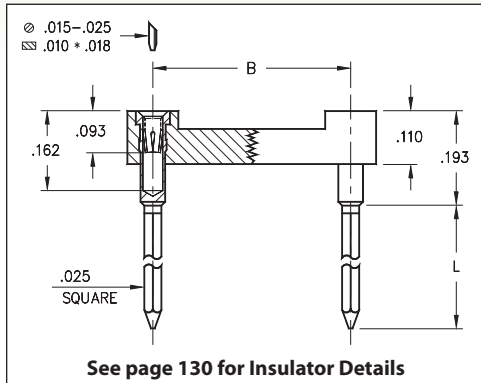
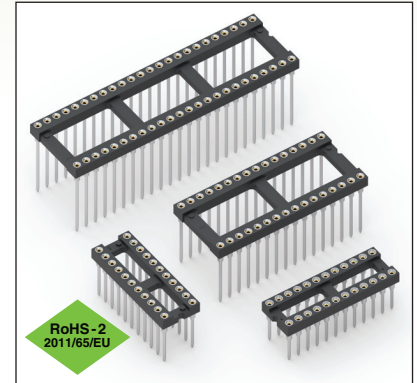


DUAL-IN-LINE SOCKETS

SERIES 121, 122, 123, 124 • 1 - 4 LEVEL WRAPOST • OPEN FRAME



- Solderless wrappost terminals are firmly locked in the insulator body to withstand torque of a wrapping tool
- Hi-Rel, 4-finger BeCu #30 contact is rated at 3 amps. See page 253 for details
- Series 121, 122, 123 and 124 use MM #0040, #0086, #0088 and #0089 pins. See page 198 for details
- Insulators are high temperature thermoplastic, suitable for all soldering operations
- For Electrical, Mechanical and Environmental Data, see page 264 for details



Total number of pins				Quantity per tube	ORDERING INFORMATION					
	A	B	C		L = .260 (1 Level Wrappost)	L = .370 (2 Level Wrappost)	L = .510 (3 Level Wrappost)	L = .630 (4 Level Wrappost)		
	10	0.5	0.2		0.3	40	121-XX-210-41-001000	122-XX-210-41-001000	123-XX-210-41-001000	124-XX-210-41-002000 <i>43 or 93 Plating Code ONLY</i>
4	0.2	0.3	0.4	102	121-XX-304-41-001000	122-XX-304-41-001000	123-XX-304-41-001000	124-XX-304-41-002000		
6	0.3	0.3	0.4	67	121-XX-306-41-001000	122-XX-306-41-001000	123-XX-306-41-001000	124-XX-306-41-002000		
8	0.4	0.3	0.4	50	121-XX-308-41-001000	122-XX-308-41-001000	123-XX-308-41-001000	124-XX-308-41-002000		
10	0.5	0.3	0.4	40	121-XX-310-41-001000	122-XX-310-41-001000	123-XX-310-41-001000	124-XX-310-41-002000		
14	0.7	0.3	0.4	28	121-XX-314-41-001000	122-XX-314-41-001000	123-XX-314-41-001000	124-XX-314-41-002000		
16	0.8	0.3	0.4	25	121-XX-316-41-001000	122-XX-316-41-001000	123-XX-316-41-001000	124-XX-316-41-002000		
18	0.9	0.3	0.4	22	121-XX-318-41-001000	122-XX-318-41-001000	123-XX-318-41-001000	124-XX-318-41-002000		
20	1.0	0.3	0.4	20	121-XX-320-41-001000	122-XX-320-41-001000	123-XX-320-41-001000	124-XX-320-41-002000		
22	1.1	0.3	0.4	18	121-XX-322-41-001000	122-XX-322-41-001000	123-XX-322-41-001000	124-XX-322-41-002000		
24	1.2	0.3	0.4	16	121-XX-324-41-001000	122-XX-324-41-001000	123-XX-324-41-001000	124-XX-324-41-002000		
28	1.4	0.3	0.4	14	121-XX-328-41-001000	122-XX-328-41-001000	123-XX-328-41-001000	124-XX-328-41-002000 <i>43 or 93 Plating Code ONLY</i>		
20	1.0	0.4	0.5	20	121-XX-420-41-001000	122-XX-420-41-001000	123-XX-420-41-001000	124-XX-420-41-002000		
22	1.1	0.4	0.5	18	121-XX-422-41-001000	122-XX-422-41-001000	123-XX-422-41-001000	124-XX-422-41-002000		
24	1.2	0.4	0.5	16	121-XX-424-41-001000	122-XX-424-41-001000	123-XX-424-41-001000	124-XX-424-41-002000		
28	1.4	0.4	0.5	14	121-XX-428-41-001000	122-XX-428-41-001000	123-XX-428-41-001000	124-XX-428-41-002000		
32	1.6	0.4	0.5	12	121-XX-432-41-001000	122-XX-432-41-001000	123-XX-432-41-001000	124-XX-432-41-002000 <i>43 or 93 Plating Code ONLY</i>		
24	1.2	0.6	0.7	16	121-XX-624-41-001000	122-XX-624-41-001000	123-XX-624-41-001000	124-XX-624-41-002000		
28	1.4	0.6	0.7	14	121-XX-628-41-001000	122-XX-628-41-001000	123-XX-628-41-001000	124-XX-628-41-002000		
32	1.6	0.6	0.7	12	121-XX-632-41-001000	122-XX-632-41-001000	123-XX-632-41-001000	124-XX-632-41-002000		
36	1.8	0.6	0.7	11	121-XX-636-41-001000	122-XX-636-41-001000	123-XX-636-41-001000	124-XX-636-41-002000		
40	2.0	0.6	0.7	10	121-XX-640-41-001000	122-XX-640-41-001000	123-XX-640-41-001000	124-XX-640-41-002000		
42	2.1	0.6	0.7	9	121-XX-642-41-001000	122-XX-642-41-001000	123-XX-642-41-001000	124-XX-642-41-002000		
48	2.4	0.6	0.7	8	121-XX-648-41-001000	122-XX-648-41-001000	123-XX-648-41-001000	124-XX-648-41-002000		
50	2.5	0.6	0.7	8	121-XX-650-41-001000	122-XX-650-41-001000	123-XX-650-41-001000	124-XX-650-41-002000		
52	2.6	0.6	0.7	7	121-XX-652-41-001000	122-XX-652-41-001000	123-XX-652-41-001000	124-XX-652-41-002000 <i>43 or 93 Plating Code ONLY</i>		
50	2.5	0.9	1.0	8	121-XX-950-41-001000	122-XX-950-41-001000	123-XX-950-41-001000	124-XX-950-41-002000		
52	2.6	0.9	1.0	7	121-XX-952-41-001000	122-XX-952-41-001000	123-XX-952-41-001000	124-XX-952-41-002000		
64	3.2	0.9	1.0	6	121-XX-964-41-001000	122-XX-964-41-001000	123-XX-964-41-001000	124-XX-964-41-002000		
SPECIFY PLATING CODE XX =					13 ◆	91	93	41 ◆	43 ◆	47 ◆
Sleeve (Pin)					10 μ" Au	200 μ" Sn/Pb	200 μ" Sn/Pb	200 μ" Sn	200 μ" Sn	200 μ" Sn
Contact (Clip)					30 μ" Au	10 μ" Au	30 μ" Au	10 μ" Au	30 μ" Au	Au Flash



Mouser Electronics

Authorized Distributor

Click to View Pricing, Inventory, Delivery & Lifecycle Information:

[Mill-Max:](#)

[123-47-314-41-001000](#) [123-47-308-41-001000](#) [123-47-328-41-001000](#) [123-47-316-41-001000](#) [123-47-324-41-001000](#) [123-47-628-41-001000](#)