

5

4

3

2

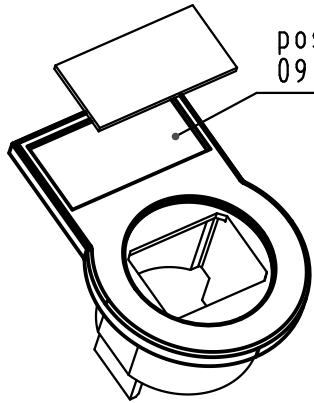
1

D

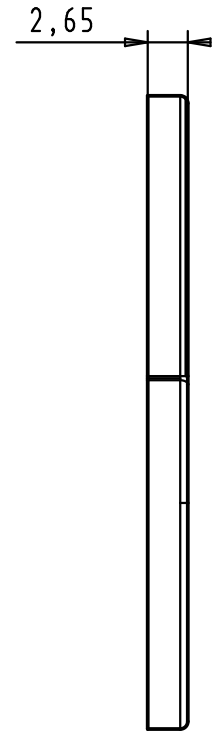
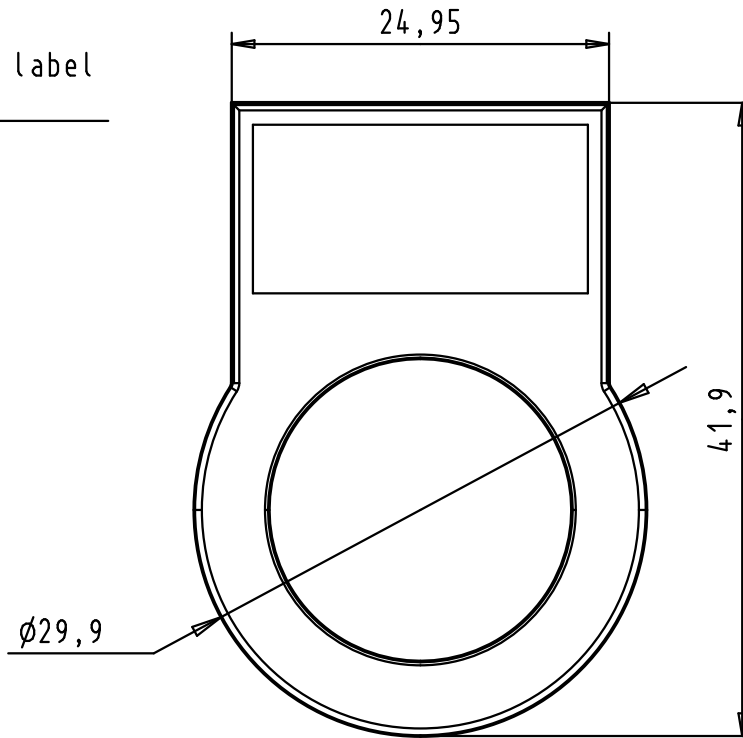
C



B

A



position for har-port label
09 45 502 0003



				Dat.	Name	 All Dim. in mm Orig. Size DIN A 4	har-port label holder	Maßstab/ Scale 2:1	Blatt/ Page 1 / 1
			Detail.	26/JAN/11	BH				
			Insp.	26/JAN/11	JB				
			Stand.						
36224			HARTING EURL F-95972 Paris				TB 09 45 502 0002	Sub.	
Mod.			Dat.		Name				

Mouser Electronics

Authorized Distributor

Click to View Pricing, Inventory, Delivery & Lifecycle Information:

[HARTING:](#)

[09455020002](#)