

DESCRIPTION

The MP3309C is a WLED step-up converter for 2.7V to 5.5V input that uses peak current mode to regulate the LED current sensed through an external low-side resistor. The 200mV feedback voltage and synchronous rectification reduces power loss and reduces PCB space requirements. For non-synchronous mode, setting an internal register can disable the rectifier MOSFET to save driver losses.

The MP3309C features a programmable switching frequency to optimize efficiency. It supports both analog and PWM dimming.

In addition, the MP3309C has LED open protection, cycle-by-cycle current limit protection, thermal shutdown protection, and V_{OUT} to GND short-circuit protection. The I²C interface can set the protection indication bits and over-voltage protection point.

FEATURES

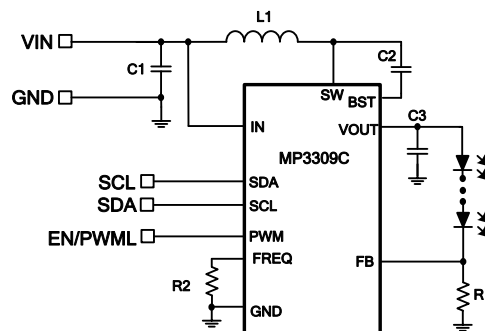
- 2.7V to 5.5V Input Voltage
- Analog and PWM Dimming
- Selectable Synchronous or Non-synchronous Mode
- 400kHz I²C-Compatible Interface
- Digitally Set LED Current
- Programmable Switching Frequency
- Programmable Open Load Protection Point
- Low 200mV Feedback Voltage with ±1% Accuracy at Room Temperature
- Software Enable Function
- UVLO, Thermal Shutdown
- Available in a 1.4mmx1.8mm QFN10 Package

APPLICATIONS

- Feature Phones and Smart Phones
- Tablets
- <10in Video Displays

All MPS parts are lead-free and adhere to the RoHS directive. For MPS green status, please visit MPS website under Products, Quality Assurance page. "MPS" and "The Future of Analog IC Technology" are Registered Trademarks of Monolithic Power Systems, Inc.

TYPICAL APPLICATION



Typical Application Circuit

ORDERING INFORMATION

Part Number	Package	Top Marking
MP3309CGQG	QFN-10 (1.4mmx1.8mm)	See Below

For Tape & Reel, add suffix -Z (e.g. MP3309CGQG-Z);

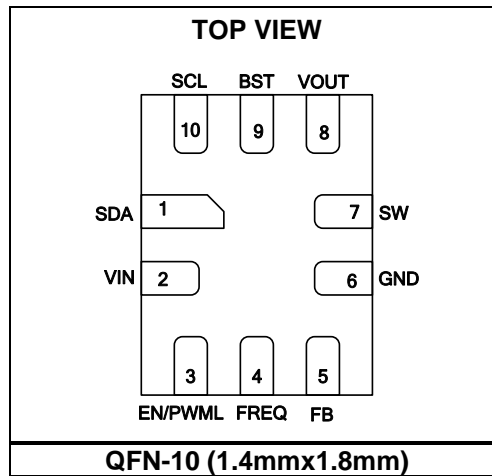
TOP MARKING

—
CJ
LL

CJ: Product code of MP3309CGQG

LL: Lot number

PACKAGE REFERENCE



PIN FUNCTIONS

Pin #	Name	Description
1	SDA	I²C clock data input.
2	VIN	Input supply. Provides power for the internal power and logic circuits. Must be locally bypassed.
3	EN/PWML	PWM brightness control/enable. Apply a PWM signal for PWM dimming. The PWM frequency is proportional to the LED current dimming ratio—a lower dimming frequency results in a smaller dimming current. For most applications, use a frequency range of 200Hz to 2kHz. A low-level signal longer than 20ms will shut down the IC.
4	FREQ	Switching frequency set. Connect a resistor between FREQ and GND to program the converter switching frequency. Do not leave this pin floating.
5	FB	LED current feedback. Regulates the voltage across the current sense resistor between FB and GND to 200mV.
6	GND	Ground.
7	SW	Power switch node. Drain of the internal low-side MOSFET. Connect the power inductor between SW and VIN. For non-synchronous mode, connect a Schottky diode between SW and VOUT.
8	VOUT	Output voltage. Internally connected to the source of the synchronous MOSFET. For non-synchronous mode, connect a Schottky diode between SW and VOUT.
9	BST	Booststrap. Connect a capacitor between SW and BST to provide the synchronous MOSFET gate driver.
10	SCL	I²C interface clock signal.

ABSOLUTE MAXIMUM RATINGS ⁽¹⁾

V _{IN}	-0.3V to +6V
V _{SW} , V _{OUT}	-1V to +40V
V _{BST}	-0.3V to V _{SW} +6V
All Other Pins	-0.3V to +6V
Junction Temperature	150°C
Lead Temperature	260°C
Continuous Power Dissipation	(T _A = 25°C) ⁽²⁾
QFN-10 (1.4mmx1.8mm)	0.892W

Recommended Operating Conditions ⁽³⁾

Supply Voltage (V _{IN})	2.7V to 5.5V
Operating Junction Temp. (T _J)	-40°C to +125°C

Thermal Resistance ⁽⁴⁾	θ_{JA}	θ_{JC}
QFN-10 (1.4mmx1.8mm)	140	30 °C/W

Notes:

- Exceeding these ratings may damage the device.
- The maximum allowable power dissipation is a function of the maximum junction temperature T_J (MAX), the junction-to-ambient thermal resistance θ_{JA}, and the ambient temperature T_A. The maximum allowable continuous power dissipation at any ambient temperature is calculated by P_D (MAX) = (T_J (MAX) - T_A) / θ_{JA}. Exceeding the maximum allowable power dissipation will cause excessive die temperature, and the regulator will go into thermal shutdown. Internal thermal shutdown circuitry protects the device from permanent damage.
- The device is not guaranteed to function outside of its operating conditions.
- Measured on JESD51-7, 4-layer PCB.

ELECTRICAL CHARACTERISTICS

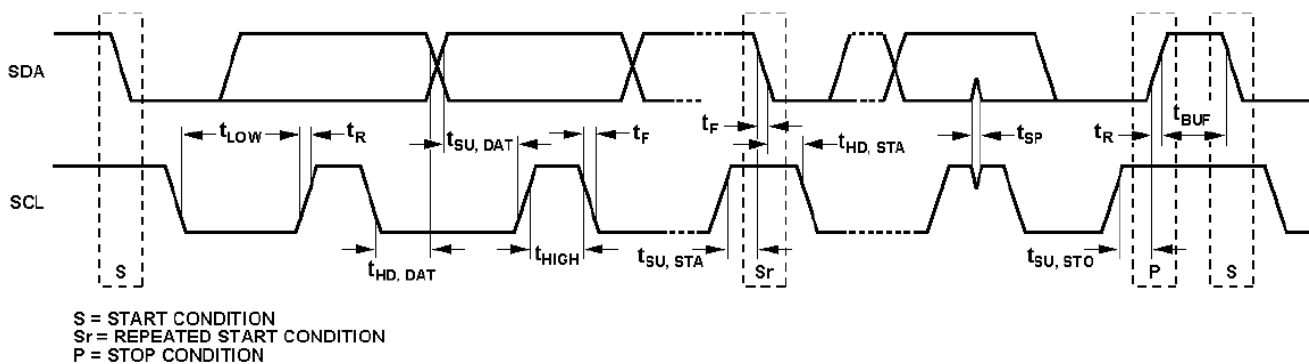
$V_{IN} = 3.6V$, $V_{EN} = V_{IN}$, $T_A = 25^{\circ}C$, unless otherwise noted.

Parameters	Symbol	Condition	Min	Typ	Max	Units
STEP-UP CONVERTER						
Operating input voltage	V_{IN}		2.7		5.5	V
Supply current (quiescent)	I_Q	$V_{IN}=3.6V$, $V_{EN}=V_{IN}$, no load with switching		420		μA
Supply current (shutdown)	I_{ST}	$V_{EN}=0V$, $V_{IN}=3.6V$			1	μA
		EN Bit=0, $V_{IN}=3.6V$		68		μA
Input UVLO threshold	V_{IN_UVLO}	Rising Edge		2.5		V
Input UVLO hysteresis				200		mV
EN high voltage	V_{EN_HIGH}	V_{EN} Rising	1.2			V
EN low voltage	V_{EN_LOW}	V_{EN} Falling			0.4	V
Switching frequency	f_{SW}	$R_{OSC} = 200k\Omega$	540	640	740	kHz
Maximum duty cycle	D_{MAX}	Sync Mode, 600kHz	89	93		%
		Non-sync Mode, 600kHz	90	95		
Feedback regulation voltage	V_{REF}		198	200	202	mV
VREF ramp-up time	t_{STEP}			320		μs
POWER SWITCH						
Main switch on resistance	R_{DSON_M}	$V_{IN}=3.6V$		0.3	0.5	Ω
Sync switch on resistance	R_{DSON_S}	$V_{IN}=3.6V$		0.5	0.8	Ω
CURRENT DIMMING						
PWML input low threshold	V_{PWM_LO}	V_{PWM} Falling			0.4	V
PWML input high threshold	V_{PWM_HI}	V_{PWM} Rising	1.2			V
PWML shutdown time	t_{SD}	EN/PWML High to Low		20		ms
PROTECTION						
OVP voltage	V_{OVP}	OVP0=0, OVP1=1 (Default)	33.5	35.5	37.5	V
		Hysteresis		2.5		
		OVP0=1, OVP1=0	22.5	24	25.5	V
		Hysteresis		2		
		OVP0=0, OVP1=0	12.5	13.5	14.5	V
		Hysteresis		1		
Cycle-cycle current limit	I_{LIM}	OVP0=1, OVP1=0		1.5		A

ELECTRICAL CHARACTERISTICS (continued)

$V_{IN} = 3.6V$, $V_{EN} = V_{IN}$, $T_A = 25^\circ C$, unless otherwise noted.

Parameters	Symbol	Condition	Min	Typ	Max	Units
OVP UVLO threshold	V_{OVP_UV}			1.24		V
Thermal shutdown threshold	t_{ST}			150		$^\circ C$
Thermal shutdown hysteresis				25		$^\circ C$
I²C Interface Specifications						
Input logic low	V_{IL}		0		0.4	V
Input logic high	V_{IH}		1.3V			V
Output logic low	V_{OL}	ILOAD=3mA			0.4	V
SCL clock frequency	f_{SCL}				400	kHz
SCL high time	t_{HIGH}		0.6			μs
SCL low time	t_{LOW}		1.3			μs
Data setup time	$t_{SU,DAT}$		100			ns
Data hold time	$t_{HD,DAT}$		0		0.9	μs
Setup time for repeated start	$t_{SU,STA}$		0.6			μs
Hold time for start	$t_{HD,STA}$		0.6			μs
Bus free time between a start and a stop condition	t_{BUF}		1.3			μs
Setup time for stop condition	$t_{SU,STO}$		0.6			μs
Rise time of SCL and SDA	t_R		$20+0.1 \times C_B$		120	ns
Fall time of SCL and SDA	t_F		$20+0.1 \times C_B$		120	ns
Pulse width of suppressed spike	t_{SP}		0		50	ns
Capacitance bus for each bus line	C_B				400	pF

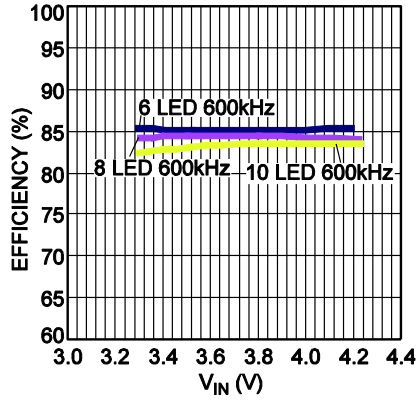


I²C Compatible Interface Timing Diagram

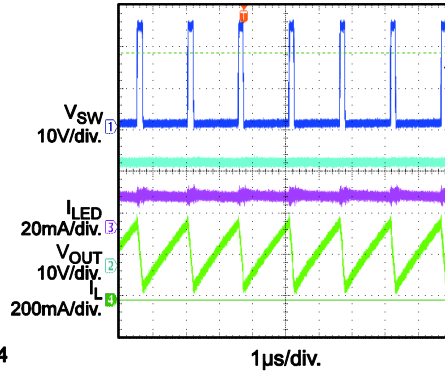
TYPICAL PERFORMANCE CHARACTERISTICS

$V_{IN} = 3.6V$, 8 LEDs, $L = 10\mu H$, $T_A = 25^\circ C$, unless otherwise noted.

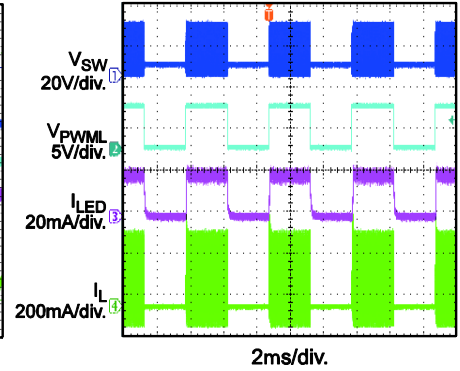
Efficiency vs. V_{IN}
20mA, $L=22\mu H$, $DCR=0.7\Omega$



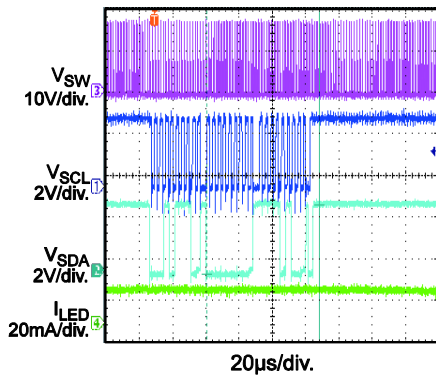
Steady State



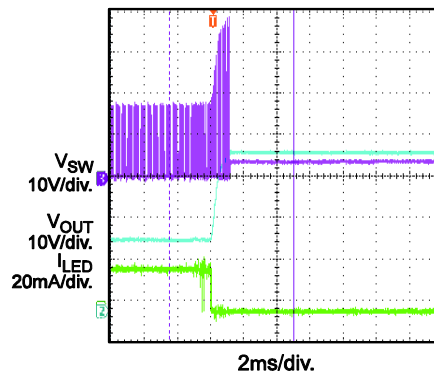
PWM Dimming
 $f_{DIM} = 200Hz$, $D_{DIM} = 50\%$



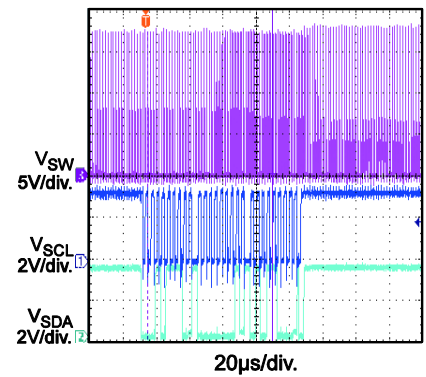
SET ILED with I2C



Open LED Protection



Sync to Non-Sync



BLOCK DIAGRAM

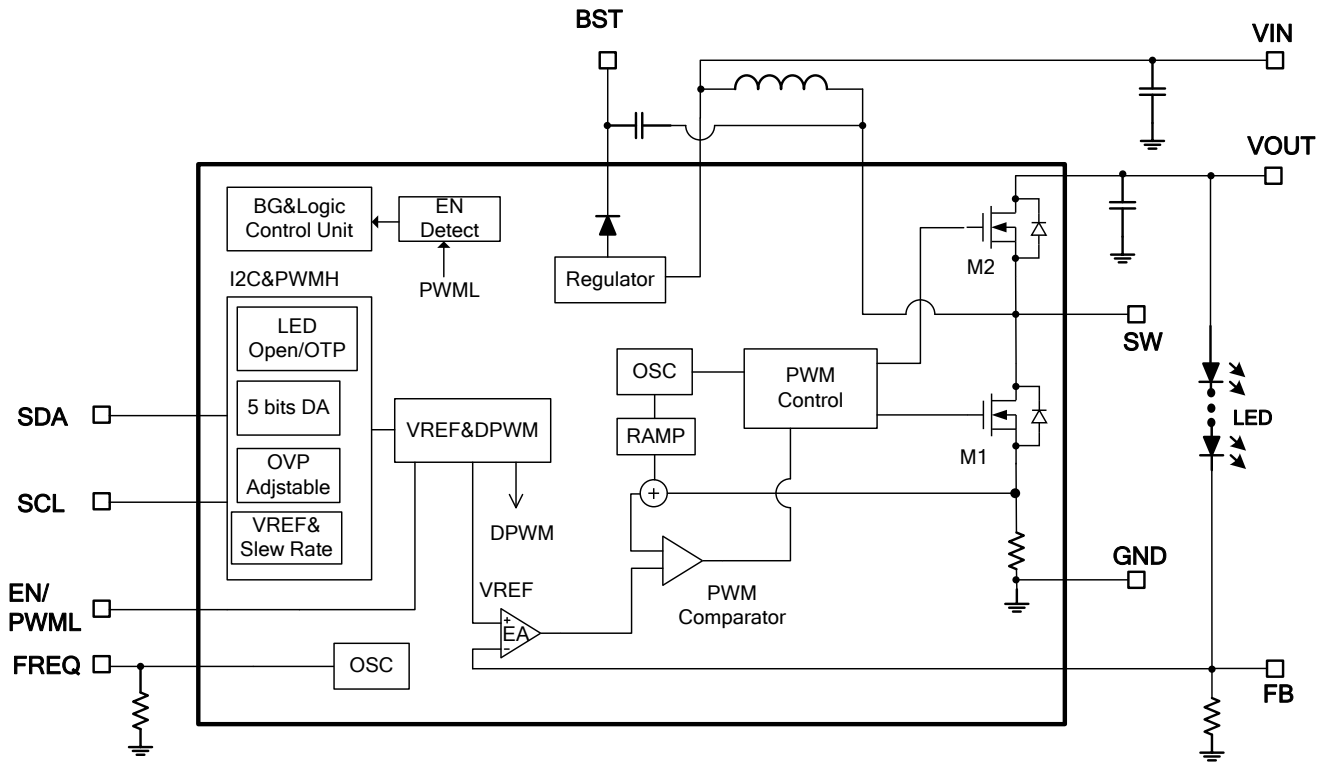


Figure 1: Functional Block Diagram

OPERATION

The MP3309C uses peak-current-mode control to regulate the current through the WLED string. At the start of each oscillator cycle, the control circuit turns on the low-side MOSFET (LS-FET, M1). A stabilizing ramp is added to the output of the current sense amplifier, which then feeds into the positive input of the PWM comparator and prevents sub-harmonic oscillations at duty cycles greater than 50%. When the input to the PWM comparator equals the output voltage of the error amplifier, M1 turns off. Then the inductor current flows through the synchronous power MOSFET, or the external Schottky diode, which forces the inductor current to decrease.

The voltage at the output of the error amplifier is the amplified difference between the 200mV reference voltage and the feedback voltage. If the feedback voltage starts to drop, the output of the error amplifier increases, increasing the current flowing through M1, thus increasing the power to the inductor and the output power. This method accurately regulates the LED current.

System Start-Up

When the EN bit is set to 1 thru the I²C interface, the MP3309C initially checks the topology connection. The chip monitors the over-voltage protection (OVP) block for shorts between the boost output and GND. A low OVP voltage will disable the chip. The MP3309C also checks other safety limits, including UVLO, over-temperature protection (OTP), and over-current protection (after passing the OVP test). If all the protection tests pass, the chip then starts boosting the step-up converter with an internal soft start. During the soft start, the reference voltage gradually ramps up with a time step of 320 μ s for a total of 32 steps. In addition, the current limit drops to 0.7A during start-up to prevent a large inrush current. This low current limit time period lasts for 5ms after the IC is enabled.

Synchronous or Non-synchronous Mode Selection

In default mode (internal register bit SYNC=1), the converter works in synchronous mode. Synchronous mode can reduce diode power

consumption caused by a large voltage drop. This synchronous mode increases the converter efficiency for low LED string voltage. This mode does not need an external Schottky diode, which reduces PCB space requirements and BOM costs.

In some applications (see below), select non-synchronous mode by setting the internal register bit to SYNC=0. Be sure to connect an external Schottky diode between SW and VOUT.

1. When the LED string voltage is high, the duty cycle is large, which means the synchronous power MOSFET turn-on time is very short
2. When the switching frequency is set too high, the synchronous power MOSFET driver loss is large.

Dimming Control

The MP3309C provides two dimming methods: PWM and analog dimming mode.

For PWM dimming, apply a PWM signal to the EN/PWML pin. The LED current is then segmented as per the PWM signal and the average LED current equals:

$$I_{set} \times D_{dim}$$

Where D_{dim} is the PWM duty cycle, and I_{set} is the LED current amplitude. When the PWM signal is high, the converter operates in normal mode. Conversely, when the PWM amplitude is low, the converter stops switching. Make sure that the PWM signal low-level time is less than 20ms or the IC will shut down. Use a 100Hz to 2kHz PWM dimming frequency for most dimming ratio requests.

For analog dimming, set the LED current amplitude through the I²C interface. The internal reference register bits (D0-D4) control the LED current regulation voltage by setting the DIMS bit to 0.

Table 1: I²C Reference Voltage Table

	FB Voltage(mV)	D4	D3	D2	D1	D0
0	0	0	0	0	0	0
1	5	0	0	0	0	1
2	8	0	0	0	1	0
3	11	0	0	0	1	1
4	14	0	0	1	0	0
5	17	0	0	1	0	1
6	20	0	0	1	1	0
7	23	0	0	1	1	1
8	26	0	1	0	0	0
9	29	0	1	0	0	1
10	32	0	1	0	1	0
11	35	0	1	0	1	1
12	38	0	1	1	0	0
13	44	0	1	1	0	1
14	50	0	1	1	1	0
15	56	0	1	1	1	1
16	62	1	0	0	0	0
17	68	1	0	0	0	1
18	74	1	0	0	1	0
19	80	1	0	0	1	1
20	86	1	0	1	0	0
21	92	1	0	1	0	1
22	98	1	0	1	1	0
23	104	1	0	1	1	1
24	116	1	1	0	0	0
25	128	1	1	0	0	1
26	140	1	1	0	1	0
27	152	1	1	0	1	1
28	164	1	1	1	0	0
29	176	1	1	1	0	1
30	188	1	1	1	1	0
31	200	1	1	1	1	1

For PWM dimming, apply a PWM signal to the EN/PWML pin directly. When the PWM signal is low, the MP3309C stops switching and resumes normal operation when the PWM signal is high.

IC Enable and Shutdown

The MP3309C enables the internal bandgap and normal switching if both:

1. The EN/PWML pin is high
2. The internal register EN bit is set to 1.

The MP3309C shuts down the chip if either:

1. The EN/PWML pin is low for longer than 20ms

2. The internal register EN bit is set to 0. Note: if only the EN bit set to 1, the bandgap of the IC is still active.

Open-String Protection

The MP3309C monitors the VOUT pin for open-string protection. If the LED string is open, the feedback voltage is lower than the reference voltage. The COMP then rises and charges the output capacitor until the VOUT voltage reaches the protection point (V_{OVP}). Select V_{OVP} by setting the internal register bits : OVP0 and OVP1. Please refer to the OVP Protection section in the EC table to select the OVP point.

Selecting a lower OVP protection point permits the use of a lower voltage output capacitor to reduce costs.

The IC stops switching when V_{OUT} reaches the OVP threshold; the IC resumes operation when V_{OUT} drops below the threshold.

Input Under-Voltage Protection

When V_{IN} exceeds 2.5V, the converter starts to charge the internal reference and provides power to the internal control circuitry. There is a UVLO hysteresis, approximately 200mV, as V_{IN} falls. The IC shuts down when the input voltage drops below 2.3V.

Thermal Shutdown Protection

Thermal shutdown prevents the IC from operating at exceedingly high temperatures. When the die temperature exceeds the upper threshold (T_{ST}), the IC shuts down and resumes normal operation when the die temperature drops below the lower threshold. Typically, the hysteresis is 25°C.

Fault Indicator

The MP3309C provides several fault register bits to indicate when different protection conditions occur. The host controller can read these fault indication bits. See the list of protection faults and their descriptions below:

LEDO: LED open protection fault bit, read only.

OTP: Over-temperature protection fault bit, read only.

VOS: VOUT short to GND bit, read only

APPLICATION INFORMATION

Selecting the Switching Frequency

The switching frequency of the step-up converter can be programmed from 300kHz to 1.2MHz. A resistor on OSC sets the internal oscillator frequency for the step-up converter. See equation (1):

$$f_{sw}(\text{kHz}) = \frac{120000}{R_{FREQ}(\text{k}\Omega)} \quad (1)$$

For instance, if $R_{FREQ}=200\text{k}\Omega$, the switching frequency is to 600kHz.

Setting the LED Current

Set the LED current through the current-setting resistor on FB with equation (2):

$$I_{LED}(\text{mA}) = \frac{V_{REF}(\text{V})}{R_{FB}(\Omega)} \times 1000 \quad (2)$$

For instance, if $V_{REF}=200\text{mV}$, and $R_{FB}=10\Omega$, the LED current is 20mA. Do not leave FB floating.

Selecting the Input Capacitor

The input capacitor reduces the surge current drawn from the input supply and the switching noise from the device. The input capacitor impedance at the switching frequency should be less than the input source impedance to prevent the high-frequency switching current from passing through to the input. Use ceramic capacitors with X5R or X7R dielectrics for their low ESR and small temperature coefficients. For most applications, use a 2.2 μF to 10 μF ceramic capacitor.

Selecting the Inductor

The MP3309C requires an inductor to boost its output voltage. A larger value inductor results in less ripple current, lowering both the peak inductor current and the stress on the internal N-channel MOSFET. However, the larger inductor is larger physically, has a higher series resistance, and a lower saturation current.

Choose an inductor that does not saturate under the worst-case load conditions. Select the minimum inductor value to ensure that the boost converter works in continuous conduction mode with high efficiency and good EMI performance.

Calculate the required inductance value using

equation (3):

$$L \geq \frac{\eta \times V_{OUT} \times D \times (1-D)^2}{2 \times f_{sw} \times I_{LOAD}} \quad (3)$$

$$D = 1 - \frac{V_{IN}}{V_{OUT}}$$

Where V_{IN} and V_{OUT} are the input and output voltages, f_{sw} is the switching frequency, I_{LOAD} is the LED load current, and η is the efficiency.

To avoid hitting the current limit, the worst-case inductor peak current should be less than 80% of the current limit (I_{LIM}).

Selecting the Output Capacitor

The output capacitor keeps the output voltage ripple small and ensures feedback loop stability. The output capacitor impedance must be low at the switching frequency. Ceramic capacitors with X7R dielectrics are recommended for their low ESR characteristics. Selection must also account for the capacitance's dependence on the voltage rating; with a DC bias voltage, the capacitor can lose as much as 50% of its capacitance at its rated voltage rating. Leave a sufficient voltage rating margin when selecting the component.

Capacitance that is too high or too low will cause loop instability. For most applications, select a capacitor in the range of 0.1 μF to 1 μF .

Setting the Over-Voltage Protection Point

V_{OUT} determines the OVP point for open-string protection. In some cases, an LED string failure results in a 0V feedback voltage. The part then continuously boosts the output voltage higher and higher until the output voltage reaches the programmed OVP threshold to trigger open-string protection.

Select an OVP protection point through the I²C interface—about 1.1 to 1.2 times higher than the output voltage for normal operation. An appropriate OVP voltage can also allow for low-voltage output capacitors.

Mode	OVP Point
OVP0=0,OVP1=1(Default)	35.5V
OVP0=1,OVP1=0	24V
OVP0=0,OVP1=0	13.5V

Dimming Mode

The MP3309C has a smart dimming function for both analog and PWM dimming.

1. PWM Dimming

For PWM dimming, apply a PWM signal to the EN/PWML pin. The LED current is then segmented as per the PWM signal and the average LED current equals:

$$I_{set} \times D_{dim}$$

Where D_{dim} is the PWM duty cycle, and I_{set} is the LED current amplitude. When the PWM signal is high, the converter operates normally. Conversely, when the PWM amplitude is low, the converter stops switching. Make sure that the PWM signal low-level time is less than 20ms, or the IC will shut down. Use a 100Hz to 2kHz PWM dimming frequency for most dimming ratio requests.

2. Analog Dimming

For analog dimming, set the LED current amplitude through the I²C. The internal reference register bits (D0-D4) control the LED current regulation voltage by setting the DIMS bit to 0.

Selecting the External Schottky Diode

Non-synchronous mode (internal register bit SYNC=0) requires an external free-wheeling diode between SW and VOUT. To optimize efficiency, use a high-speed and low reverse recovery current Schottky diode. Make sure the diode's average and peak current rating exceeds the output average LED current and the peak inductor current. In addition, the diode's breakdown voltage rating should exceed the maximum voltage across the diode. Usually, unexpected high-frequency voltage spikes on the diode occur when the diode turns off. Therefore, leave a voltage rating margin to guarantee normal long-term operation.

LED Current Ramp Slew Rate

To prevent a large inrush current and provide a smooth start-up, the MP3309C has a reference rising/falling slew rate. The time is 320μs per step for a total of 32 steps from 0 to 200mV.

I²C Register

I²C Chip Address:

The device address for the MP3309C is 0x17. After the START condition, the I²C compatible master sends a seven-bit address followed by an eighth read (Read: 1) or write (Write: 0) bit. The following byte indicates the register address to/from which the data will be written/read.

0	0	1	0	1	1	1	R/W
---	---	---	---	---	---	---	-----

The I²C Compatible Device Address

Register Descriptions:

Part Number	Register Address	Default/Reset Value
MP3309C	0X00	011111XX
	0X01	X0101000

0x00 Register Descriptions:

EN	D0	D1	D2	D3	D4	X	X
----	----	----	----	----	----	---	---

EN: IC enable bit. Default=0 for MP3309C.

D0:D4: Reference set bits. Default=11111.

X: Reserved Bits.

0x01 Register Descriptions:

X	DIMS	SYNC	OVP0	OVP1	VOS	LEDQ	OTP
---	------	------	------	------	-----	------	-----

X: Reserved Bits.

DIMS: Dimming Mode Select. Use the I²C to write to D0 through D4 directly if setting this pin to 0. Default=0 for MP3309C.

SYNC: Synchronous Mode Select. 1: Synchronous, 0: Non-synchronous.

OVP0:OVP1: OVP Protection Point Set. Default=01.

VOS: VOUT short to GND Fault. Read only. Default=0.

LEDO: LED Open-Protection Fault. Read only. Default=0.

OTP: Over-Temperature Protection Fault. Read only. Default=0

Layout Considerations

Efficient PCB board layout is critical for stable operation.

Proper layout of the high frequency switching path is critical to prevent noise and limit electromagnetic interference. The loop consisting of the MP3309C's internal low-side MOSFET, synchronous MOSFET or diode, and output capacitor contains a high-frequency ripple current—minimize this loop. Place the input and output capacitor as close to the IC as possible.

TYPICAL APPLICATION CIRCUITS

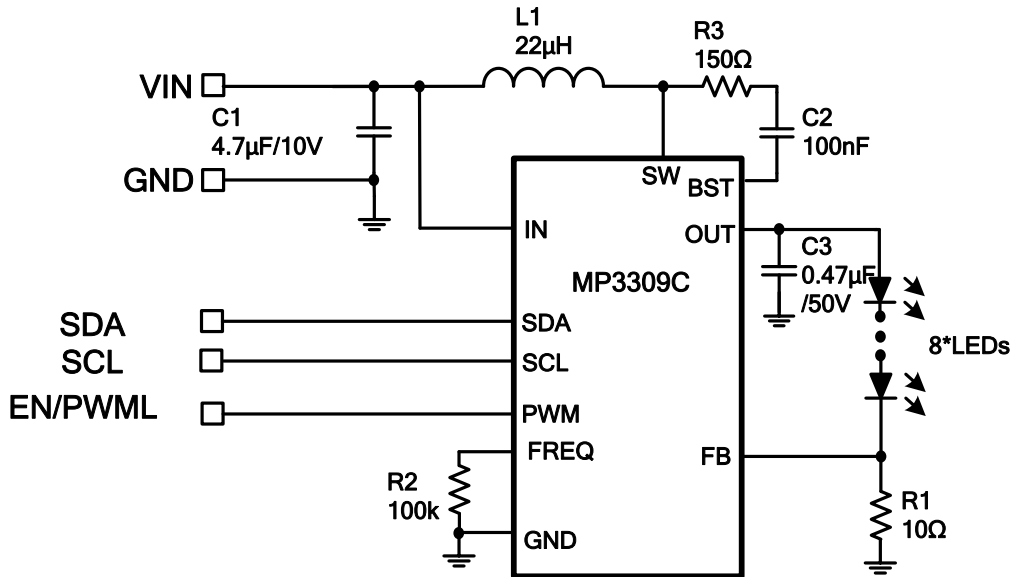


Figure 2: Typical Application for Single String 8LEDs

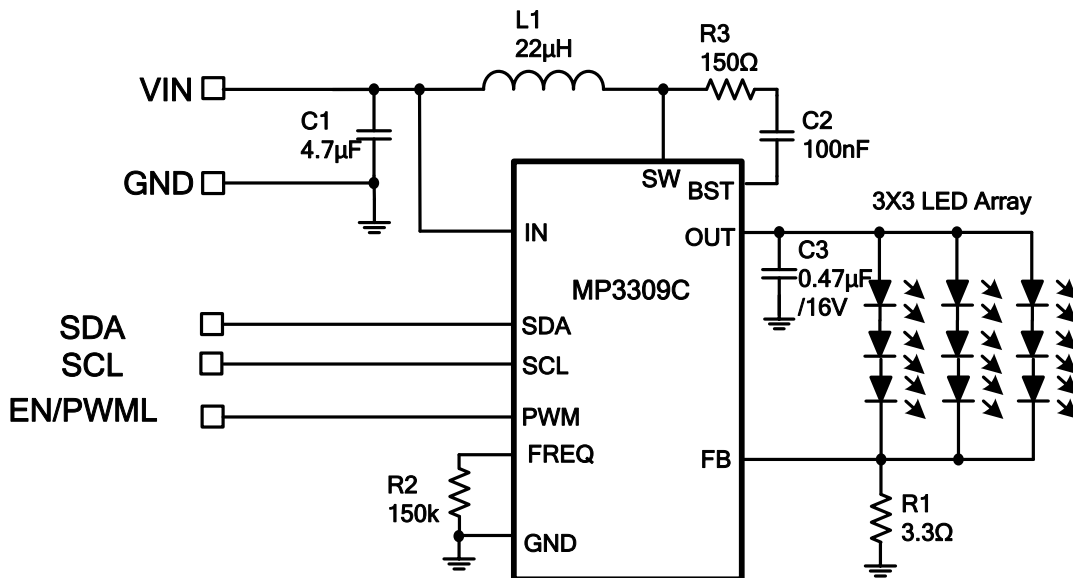
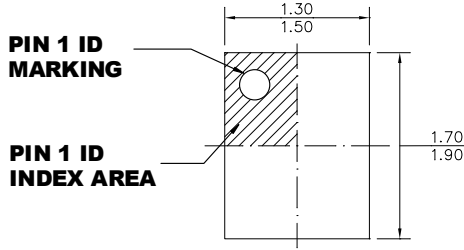


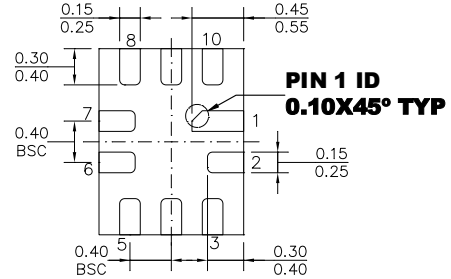
Figure 3: Typical Application for 3X3 LED Array

PACKAGE INFORMATION

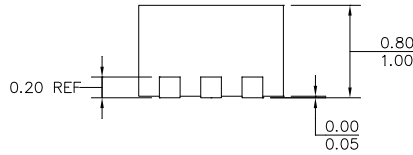
QFN-10 (1.4mmx1.8mm)



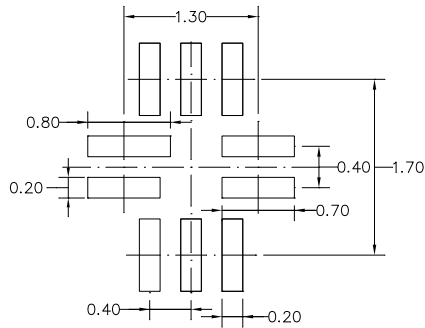
TOP VIEW



BOTTOM VIEW



SIDE VIEW



RECOMMENDED LAND PATTERN

NOTE:

- 1) ALL DIMENSIONS ARE IN MILLIMETERS.
- 2) LEAD COPLANARITY SHALL BE 0.10 MILLIMETERS MAX.
- 3) JEDEC REFERENCE IS MO-220.
- 4) DRAWING IS NOT TO SCALE.

REVISION HISTORY

Revision #	Revision Date	Description	Pages Updated
1.0	02/19/2019	Initial Release	-
1.1	7/25/2022	Updated the package information in the Absolute Maximum Ratings section	3
		Updated the Package Information section	14
		Formatting updates to footer	All

NOTICE: The information in this document is subject to change without notice. Please contact MPS for current specifications. Users should warrant and guarantee that third party Intellectual Property rights are not infringed upon when integrating MPS products into any application. MPS will not assume any legal responsibility for any said applications.