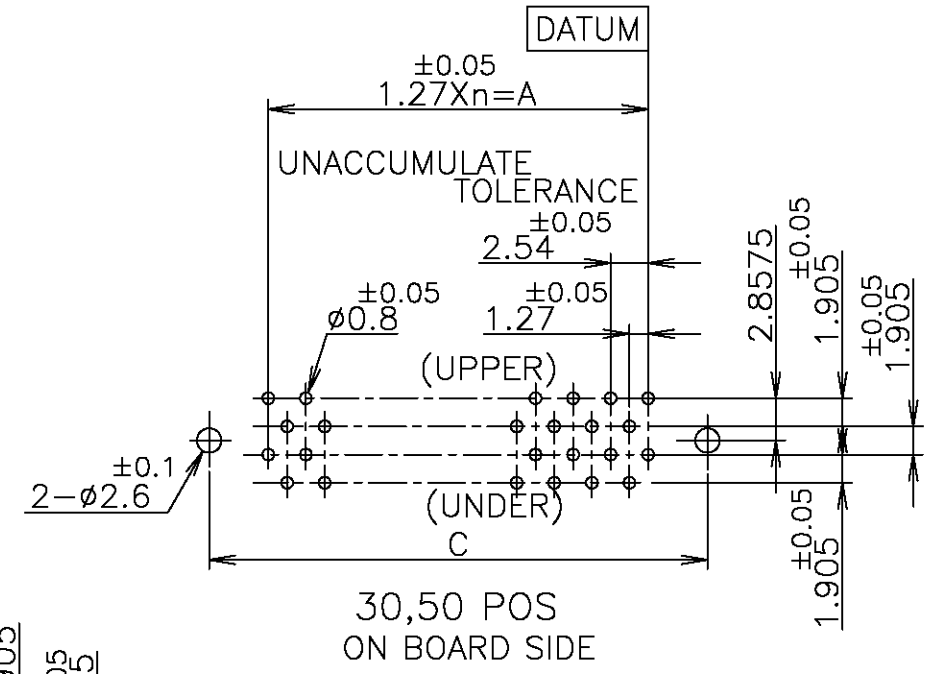
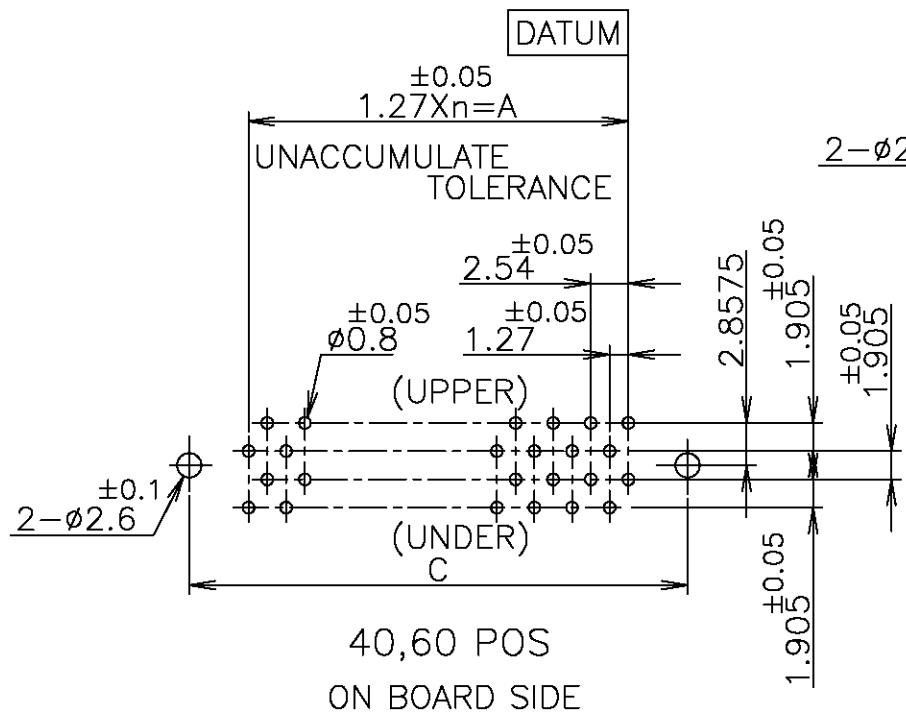
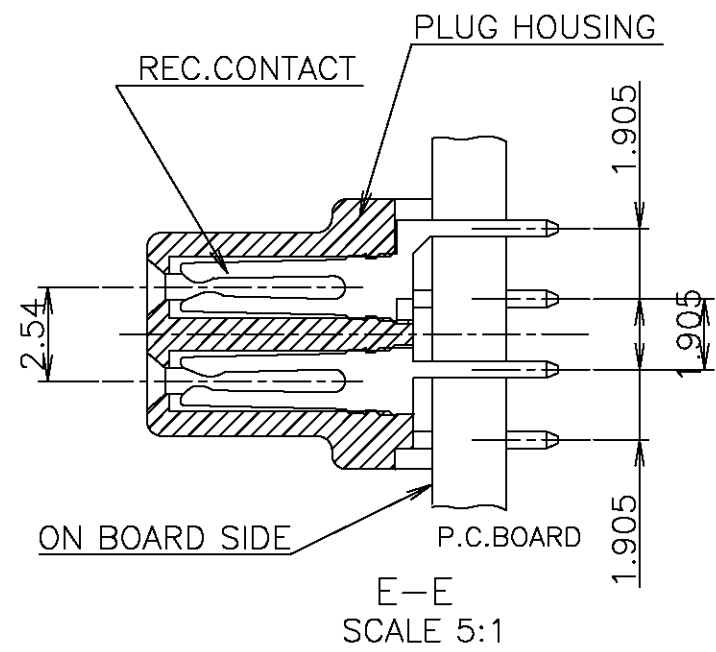
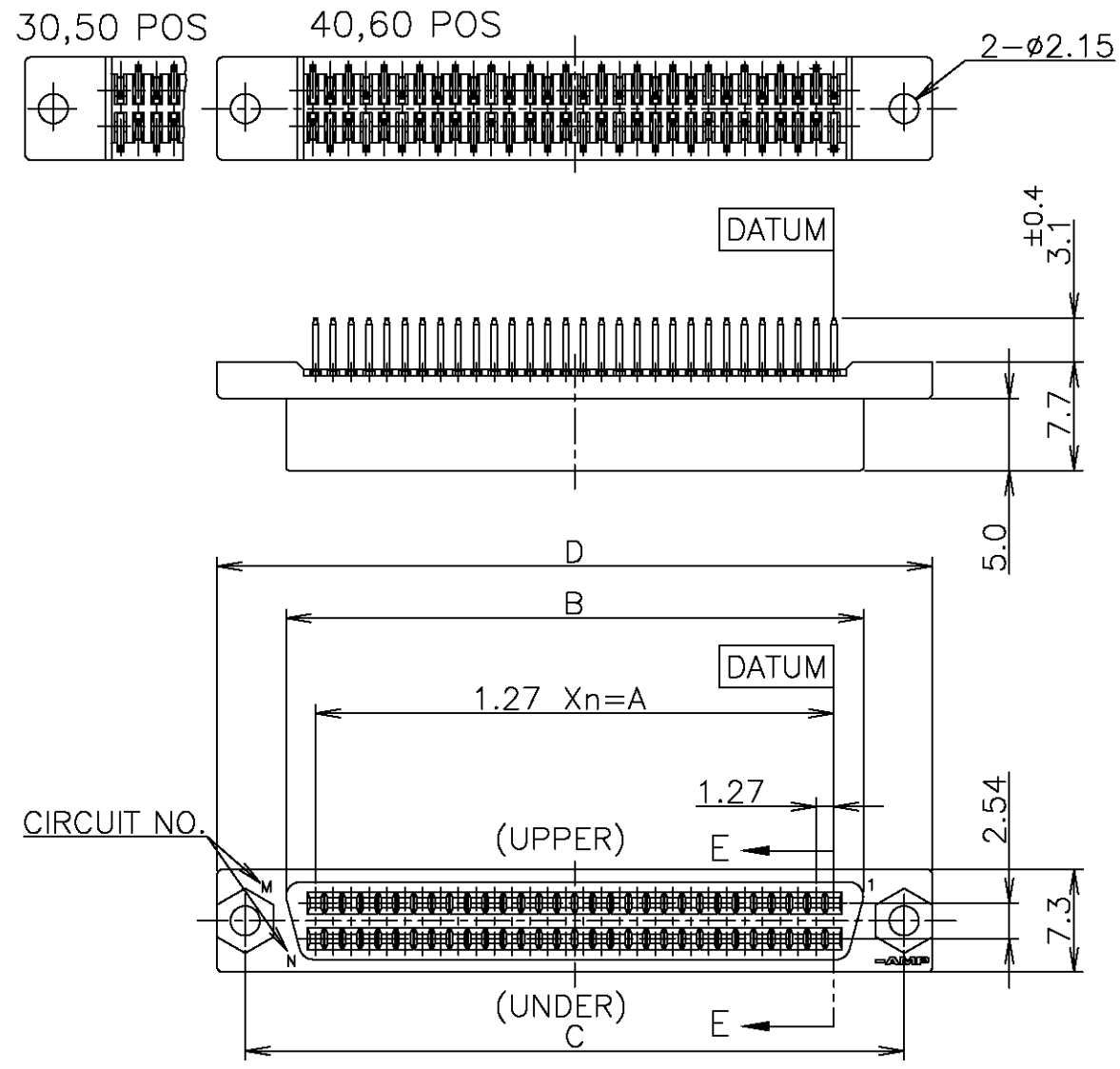


THIS DRAWING IS UNPUBLISHED. RELEASED FOR PUBLICATION AUG ,2004.
 © COPYRIGHT 2004 BY TYCO ELECTRONICS CORPORATION. ALL RIGHTS RESERVED.

LOC		DIST		REVISIONS			
P	LTR	DESCRIPTION		DATE	DWN	APVD	
J		O	RELEASED	FJB0-0871-04	23AUG04	C.W	I.E



- 1 USE A P.C.B. WHOSE ARE TREATED WITH SOLDER RESIST.
 - 2 SHOW P.C.B LAYOUT FROM ON BOARD SURFACE SIDE.
 - 3 NUMBER THE CONTACT IN THE P.C.B OR CONNECTOR CONSECUTIVELY FROM "DATUM" SIDE.
 - 4 APPLY M2 SCREW & NUT TO FIX OF CONNECTOR.
- △ HOUSING MATERIAL : P.B.T(UL94V-0) / BLACK
 △ CONTACT MATERIAL : PHO-BRONZE
 △ FINISH : NICKEL 0.00127 MIN THK. OVERALL SELECTIVE GOLD 0.00076 MIN. OR 0.0002 MIN. THK ON CONTACT AREA AND TIN 0.001 MIN THK. ON TINE AREA.

REMARK	PART NUMBER	POS	n	A	B	C	D	
Au PL. 0.00076 MIN.	6-	-4	60	29	36.83	41.00	46.80	50.80
	6-	-3	50	24	30.48	34.65	40.45	44.45
	6-	-2	40	19	24.13	28.30	34.10	38.10
	6-	-1	30	14	17.78	21.95	27.75	31.75
Au PL. 0.0002 MIN.		-4	60	29	36.83	41.00	46.80	50.80
		-3	50	24	30.48	34.65	40.45	44.45
		-2	40	19	24.13	28.30	34.10	38.10
	5173279-1	30	14	17.78	21.95	27.75	31.75	

LEAD FREE

GENERAL TOLERANCE
 X9-94

10 ≥	±0.2
30 ≥ > 10:	±0.25
100 ≥ > 30:	±0.3
ANGLES	±3°

THIS DRAWING IS A CONTROLLED DOCUMENT.

DIMENSIONS: MM

TOLERANCES UNLESS OTHERWISE SPECIFIED:

0 PLC	±-
1 PLC	±-
2 PLC	±-
3 PLC	±-
4 PLC	±-
ANGLES	±-

MATERIAL SEE NOTE

FINISH SEE NOTE

THIS DRAWING IS A CONTROLLED DOCUMENT.

DWN COREL WANG 23AUG04
 CHK STEVEN YAO 20AUG04
 APVD I.ENOMOTO 20AUG04

PRODUCT SPEC 108-60036

APPLICATION SPEC

WEIGHT

CUSTOMER DRAWING

tyco Electronics Tyco Electronics AMP K.K. Kawasaki,Japan

NAME PLUG ASSY (VERTICAL/ W/SCREW HOLE) AMPLIMITE .050 SERIES I B-TO-B CONN.

SIZE	CAGE CODE	DRAWING NO	RESTRICTED TO
A3	00779	C=5173279	

SCALE 2:1 SHEET 1 OF 1 REV 0