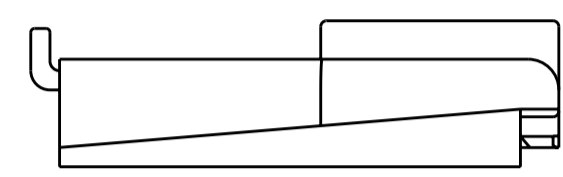
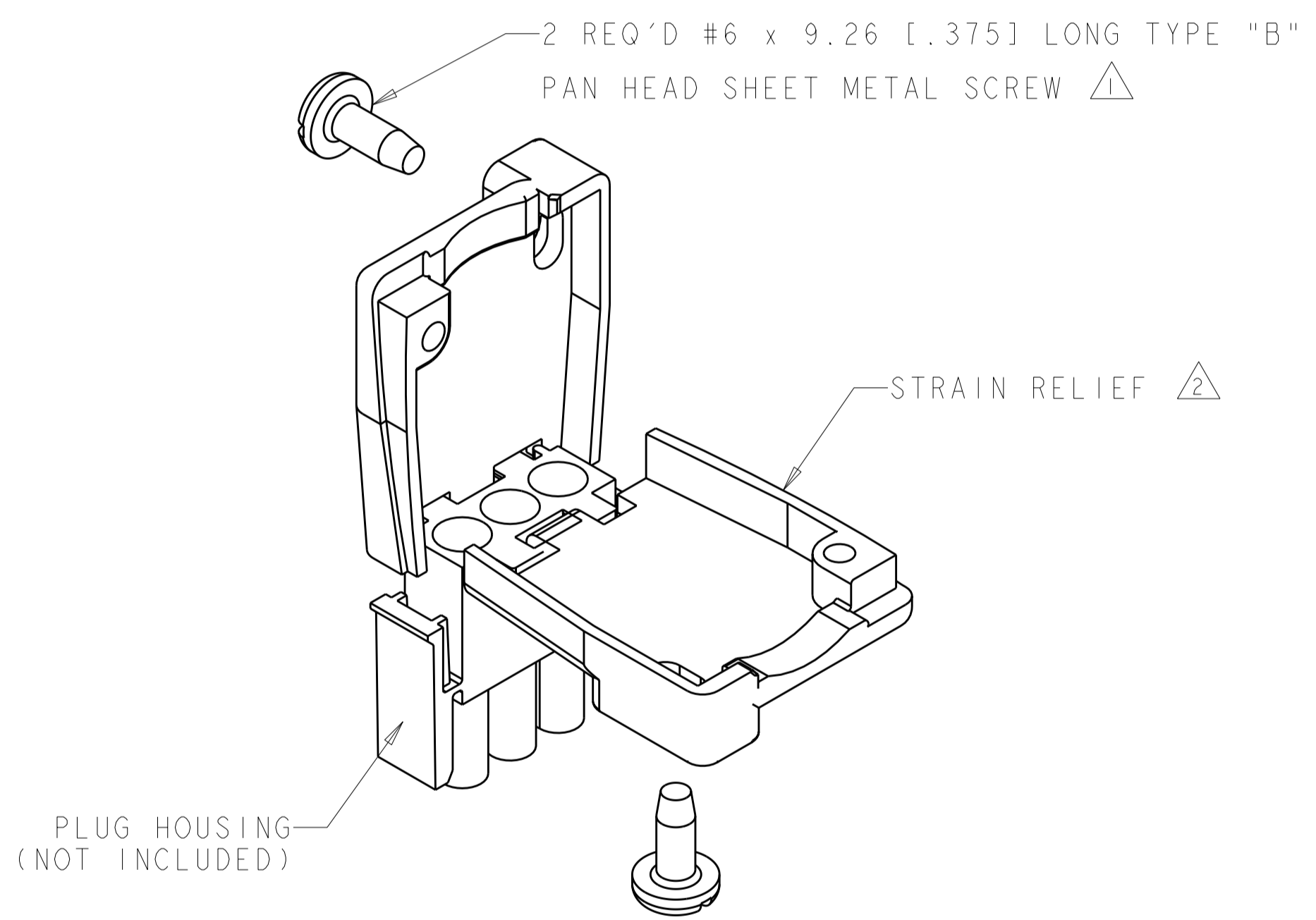
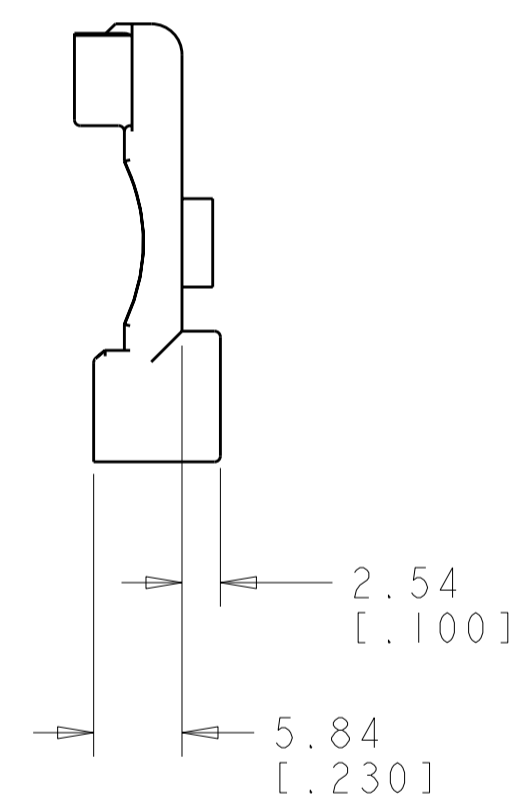
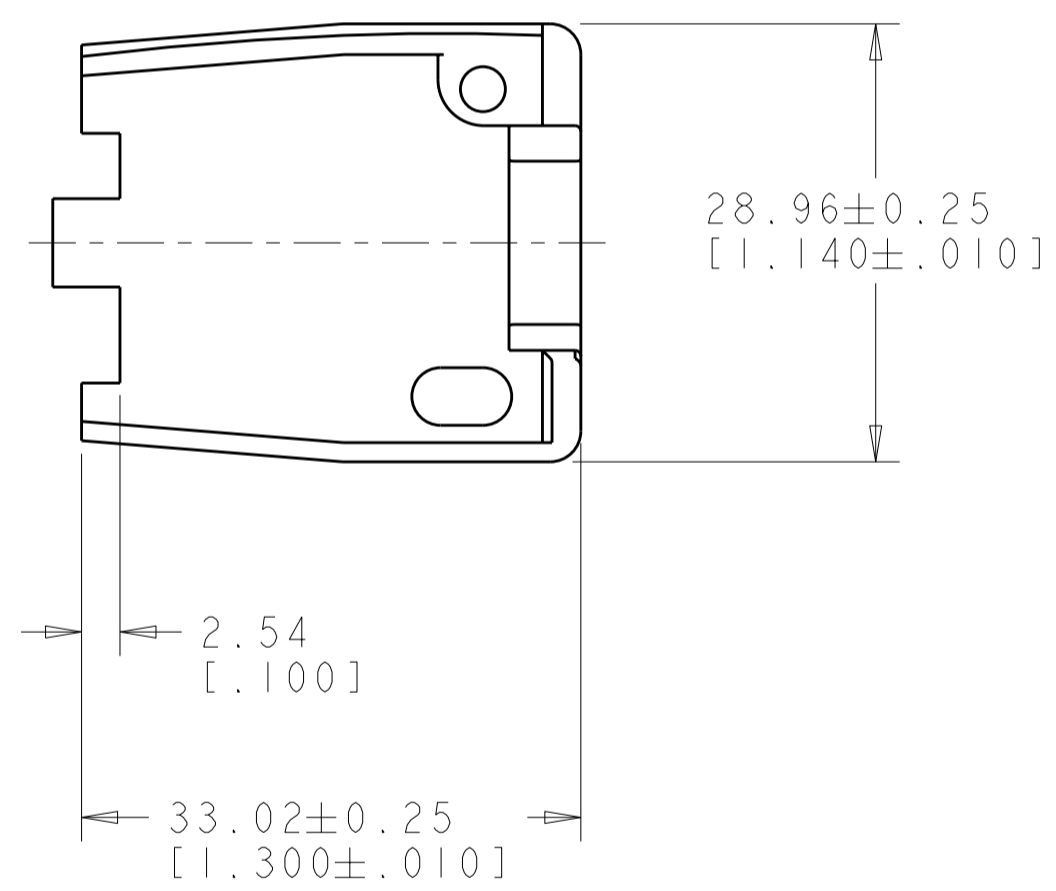


THIS DRAWING IS UNPUBLISHED. RELEASED FOR PUBLICATION 20  
 © COPYRIGHT 20 BY TYCO ELECTRONICS CORPORATION. ALL RIGHTS RESERVED.

| LOC | DIST | REVISIONS                 |           |     |      |
|-----|------|---------------------------|-----------|-----|------|
| P   | LTR  | DESCRIPTION               | DATE      | DWN | APVD |
| CM  | 00   |                           |           |     |      |
|     | C    | REVISED PER 063B-0243-02  | 22-MAY-02 | KW  | SR   |
|     | D    | REVISED PER ECO-05-014481 | 30NOV05   | KW  | SR   |
|     | DI   | REVISED PER ECO-07-005782 | 14MAR2007 | KW  | DC   |



- ① SHEET METAL SCREWS NOT SUPPLIED.
- ② TWO REQUIRED PER CONNECTOR.
- 4. DESIGNED TO ACCEPT CABLE WITH 5.08 - 8.89 [.200 - .350] OUTSIDE DIAMETER.



|         |             |   |
|---------|-------------|---|
| GRAY    | 641763-8    | ① |
| BLACK   | 641763-2    | ① |
| NATURAL | 641763-1    | ① |
| COLOR   | PART NUMBER |   |

**METRIC**

|  |   |  |  |
|--|---|--|--|
| <small>THIS DRAWING IS A CONTROLLED DOCUMENT FOR TYCO ELECTRONICS CORPORATION. IT IS SUBJECT TO CHANGE AND THE CONTROLLING ENGINEERING ORGANIZATION SHOULD BE CONTACTED FOR THE LATEST REVISION.</small> |   | DWN K. WHITAKER 22MAY2002<br>CHK S. RIDGILL 22MAY2002<br>APVD S. RIDGILL 22MAY2002 | <b>tyco</b><br>Electronics<br>Tyco Electronics<br>Harrisburg, PA 17105-3608  |
| DIMENSIONS:<br>mm [ INCHES ]   | TOLERANCES UNLESS OTHERWISE SPECIFIED:<br>0 PLC ±-<br>1 PLC ±-<br>2 PLC ±0.13 [.005]<br>3 PLC ±-<br>4 PLC ±-<br>ANGLES ±-<br>FINISH | PRODUCT SPEC -<br>APPLICATION SPEC -<br>WEIGHT -                                   | NAME STRAIN-RELIEF, UNIVERSAL MATE-N-LOK(TM) 3 CIRCUIT<br>SIZE A2 CAGE CODE 00779 DRAWING NO. 641763 RESTRICTED TO -<br>CUSTOMER DRAWING SCALE 2:1 SHEET 1 OF 1 REV DI |
| MATERIAL   | NYLON 94V-2   |  |  |