

# Datasheet

ST60-2230C/ST60-2230C-SS  
ST60-2230C-U/ST60-2230C-UU

*Version 2.17*

---

## REVISION HISTORY

Version	Date	Notes	Contributors	Approver
1.0	29 Aug 2017	Initial version		Jay White
1.1	06 Sept 2017	Updated module size to 22 mm (length) x 30 mm (width) x 3.3 mm (thickness) Updated <i>Figure 8: Module dimension of 60-2230C</i> . Changed $6.7\pm 0.15$ to $6\pm 0.15$ . Changed pin definitions for pins 54 and 56		Jay White
1.2	08 Sept 2017	Updated Max. Current Consumption table/column headings		Andrew Chen
1.3	10 Oct 2017	Added mFlexPIFA antenna info		Bill Steinike
1.4	05 Dec 2017	Added Korea regulatory ID information		Connie Lin
1.5	26 Mar 2018	Updated block diagram	Kai Wei	Jay White
1.6	30 Mar 2018	Update Wi-Fi and BT MAC rule; added part numbers and associated supported interfaces	Andrew Chen	Jay White
1.7	09 Apr 2018	Updated operation interface for 60-2230C/60-2230C-SS/60-2230C-U/60-2230C-UU; added China (SRRC) certification information	Kai Wei	Jay White
1.8	18 Oct 2018	Updated to clarify PCIe USB 2.0 supported	John Nosky	Sue White
1.9	07 Nov 2018	Removed 802.11s reference		Jay White
2.0	14 Nov 2018	Updated KC channel list		Andrew Chen
2.1	11 Feb 2019	Corrected the FCC, KC, and IC regulatory IDs	Connie Lin	Jay White
2.2	07 Mar 2019	Corrected Table 1: Part numbers and supported interfaces	Kai Wei	Jay White
2.3	17 Apr 2019	Removed DFS Radar Detection section		Jay White
2.4	23 July 2019	Corrected Table 21: Pin Definitions. Pin 76,77 do not exist. Updated Peak Current consumption Corrected I/O Signalling Voltage	Kai Wei	Jay White
2.5	28 Aug 2019	Updated to BT5.1		Jay White
2.6	26 Sept 2019	Removed AoA/DoA references		Jay White
2.7	11 Oct 2019	Removed Android version numbers	Joe Conley	Jay White
2.8	14 Oct 2019	Removed advertising extension references... <i>LE Advertising Length Extension</i> Updated warranty information (one year vs. three)	Jonathan Kaye	Jay White
2.9	28 Nov 2019	Corrected Table 21: Pin Definitions. Pin12 from PCM_IN to PCM_OUT Pin14 from PCM_OUT to PCM_IN	Kai Wei	Jay White
2.10	17 Dec 2019	Added the weight of the module (replaced the TBD)	Andrew Dobbing	Jay White
2.11	20 Jan 2020	Corrected Table 21: Pin Definitions. Pin53 should be N/C.if not used.	Kai Wei	Jay White
2.12	04 Feb 2020	Added NCC to Regulatory section	Connie Lin	Jay White
2.13	25 Feb 2020	Added <i>ST</i> to all part numbers	Derek Wong	Jay White
2.14	13 May 2020	Updated Certified Antennas tables		Jay White
2.15	06 May 2020	Updated block diagram (antenna description)	Kai Wei	Jay White
2.16	23 Jun 2020	Corrected Table 21: Pin Definitions. Pin12 from PCM_IN to PCM_OUT Pin14 from PCM_OUT to PCM_IN	Kai Wei	Jay White
2.17	24 Aug 2020	Updated EN certifications Updated Figure 9 (Stand-off Dimension)	Kai Wei	Jay White

## CONTENTS

1	Scope .....	4
2	Introduction.....	4
2.1	General Description.....	4
2.2	Part Numbers and Supported Interfaces .....	5
3	Features Summary .....	5
4	Specifications .....	6
5	WLAN Functional Description.....	11
6	Bluetooth Functional Description .....	13
7	Block Diagram .....	14
8	Electrical Characteristics .....	15
8.1	Absolute Maximum Ratings.....	15
8.2	Recommended Operating Conditions .....	15
8.3	DC Electrical Characteristics.....	15
8.4	WLAN Radio Receiver Characteristics.....	16
8.5	WLAN Transmitter Characteristics .....	17
9	Bluetooth Radio Characteristics .....	19
10	SDIO Timing Requirements.....	21
10.1	SDR12, SDR25, SDR50 Mode (up to 100MHz) (1.8V) .....	21
10.2	SDR104 Mode (208 MHz) (1.8V) .....	22
10.3	DDR50 Mode (50 MHz) (1.8V).....	23
11	USB Specifications.....	24
11.1	USB LS Driver and Receiver Parameters .....	24
11.2	USB FS Driver and Receiver Parameters .....	26
11.3	USB HS Driver and Receiver Parameters.....	27
12	PCM Interface Specifications.....	27
13	Pin Definitions.....	28
14	Mechanical Specifications .....	31
15	Mounting.....	32
16	RF Layout Design Guidelines / Precautions .....	33
17	Regulatory .....	33
17.1	Regulatory IDs Summary .....	33
17.2	Certified Antennas.....	33
18	FCC and IC Regulatory .....	34
18.1	FCC.....	34
18.2	Industry Canada.....	35
19	NCC.....	37
20	European Union Regulatory .....	38
20.1	EU Declarations of Conformity .....	39
21	Ordering Information.....	40
21.1	General Comments .....	40

## 1 SCOPE

This document describes key hardware aspects of the Laird Connectivity ST60-2230C/ST60-2230C-SS/ST60-2230C-U/ST60-2230C-UU M.2 module providing either SDIO or USB2.0 bus interface for WLAN connection and UART/SDIO/USB2.0 for Bluetooth® (including Low Energy or LE) connection. This document is intended to assist device manufacturers and related parties with the integration of this module into their host devices

**Note that the information in this document is subject to change.** Please contact Laird Connectivity to obtain the most recent version of this document.

## 2 INTRODUCTION

### 2.1 General Description

The ST60-2230C/ST60-2230C-SS/ST60-2230C-U/ST60-2230C-UU module is a dual band 2x2 802.11ac WLAN plus Bluetooth 5.1 dual mode adapter; it complies with M.2 2230 E-Key standard. The module provides both simultaneous and independent operation of the following:

- IEEE 802.11ac (Wave 2), 2x2 receive Multi-User MIMO spatial stream multiplexing with data rates up to MCS9 (866.7 Mbps)
- Bluetooth (Class 1 and Class 2)
- Bluetooth 5.1
- Bluetooth *Smart Ready* operation
- Three-way coexistence for WLAN and Bluetooth



---

**Note:** The *Bluetooth*® word mark and logos are registered trademarks owned by Bluetooth SIG, Inc. and any use of such marks by Laird Connectivity is under license. Other trademarks and trade names are those of their respective owners.

---

A Mobile Wireless System (MWS) serial transport interface provide the functionality for connecting an external Long-Term Evolution (LTE).

The module integrates all WLAN and Bluetooth functionality into a single package which supports low-cost and simple implementation along with flexibility for platform-specific customization. In addition, it has low power consumption radio architecture and proprietary power save technologies to extended battery life.

There are two interfaces for WLAN function:

- SDIO 3.0 – Supports both 1-bit SDIO and 4-bit SDIO transfer modes at full clock range up to 208 MHz
- USB 2.0

In addition, there are three interfaces for Bluetooth function:

- SDIO
- USB 2.0
- High-Speed UART

The ST60-2230C/ST60-2230C-SS/ST60-2230C-U/ST60-2230C-UU module also provides a PCM interface for master or slave mode; with the option of an 8-bit or 16-bit width size.

Pins CON[0], CON[1], and CON[2] are used to configure the operation interface.

- ST60-2230C – The interfaces are SDIO/UART (WLAN/Bluetooth) with the configuration setting 000.
- ST60-2230C-SS – The interfaces are SDIO/SDIO (WLAN/Bluetooth) with the configuration setting 001.
- ST60-2230C-U – The interfaces are USB/UART (WLAN/Bluetooth) with the configuration setting 100.
- ST60-2230C-UU – The interfaces are USB/USB (WLAN/Bluetooth) with the configuration setting 101.

## 2.2 Part Numbers and Supported Interfaces

The following (Table 1) are the ST60-2230C part numbers and the interfaces each supports.

**Table 1: Part numbers and supported interfaces**

Part Number	Supported Interfaces	
	WLAN	Bluetooth
ST60-2230C	SDIO	UART
ST60-2230C-SS	SDIO	SDIO
ST60-2230C-UU	USB	USB
ST60-2230C-U	USB	UART

## 3 FEATURES SUMMARY

The Laird Connectivity ST60-2230C/ST60-2230C-SS/ST60-2230C-U/ST60-2230C-UU device features are described in Table 2.

**Table 2: ST60-2230C/ST60-2230C-SS/ST60-2230C-U/ST60-2230C-UU of features**

Feature	Description																				
<b>Radio Front End</b>	<ul style="list-style-type: none"> <li>Integrates the complete transmit/receive RF paths including band pass filter, diplexer, switches, reference crystal oscillator, and power manage unit (PMU)</li> <li>Supports 20/40/80 MHz channel bandwidth</li> <li>WLAN/Bluetooth share one antenna</li> </ul>																				
<b>Power Management</b>	Dynamic Voltage Scaling (DVS) and Adaptive Voltage Scaling (AVS) feature supports the latest Marvell SoC and processor power control scheme.																				
<b>Pre-Calibration</b>	RF system-tested and calibrated in production.																				
<b>Sleep Clock</b>	An external sleep clock of 32.768 KHz is required during power save mode.																				
<b>Host Interface</b>	<ul style="list-style-type: none"> <li>SDIO 3.0 (4-bit and 1-bit), SDR 12/25/50 mode (up to 100MHz), USB 2.0 or PCIe for WLAN</li> <li>SDIO 3.0, USB 2.0, HS-UART for Bluetooth HCI (compatible with any upper layer Bluetooth stack)</li> <li>PCM digital audio interface for Bluetooth audio application.</li> </ul>																				
	<table border="1"> <thead> <tr> <th>Strap Value CONFIG_HOST[2-0]</th> <th>WLAN</th> <th>Bluetooth/ BLE</th> <th>ROM Notes</th> </tr> </thead> <tbody> <tr> <td>000</td> <td>SDIO</td> <td>UART</td> <td>-</td> </tr> <tr> <td>001</td> <td>SDIO</td> <td>SDIO</td> <td>-</td> </tr> <tr> <td>100</td> <td>USB 2.0</td> <td>UART</td> <td>Initial USB 2.0 PHY and COM PHY PCIe USB 2.0</td> </tr> <tr> <td>101</td> <td>USB 2.0</td> <td>USB 2.0</td> <td>Initial USB 2.0 PHY only</td> </tr> </tbody> </table>	Strap Value CONFIG_HOST[2-0]	WLAN	Bluetooth/ BLE	ROM Notes	000	SDIO	UART	-	001	SDIO	SDIO	-	100	USB 2.0	UART	Initial USB 2.0 PHY and COM PHY PCIe USB 2.0	101	USB 2.0	USB 2.0	Initial USB 2.0 PHY only
	Strap Value CONFIG_HOST[2-0]	WLAN	Bluetooth/ BLE	ROM Notes																	
	000	SDIO	UART	-																	
	001	SDIO	SDIO	-																	
100	USB 2.0	UART	Initial USB 2.0 PHY and COM PHY PCIe USB 2.0																		
101	USB 2.0	USB 2.0	Initial USB 2.0 PHY only																		
<b>Reference Frequency</b>	<ul style="list-style-type: none"> <li>Incorporates a 40 MHz reference frequency source in package</li> <li>An external sleep clock is recommended for minimal current consumption. If no sleep clock input is provided, an internal sleep clock (derived from the reference clock) is used. An approximate 50 uA current increase on the 3.3V rail.</li> </ul>																				
<b>Advanced WLAN</b>	<ul style="list-style-type: none"> <li>A-MPDU RX (de-aggregation) and TX (aggregation) supports 802.11ac single-MPDU A-MPDU</li> <li>Multi-BSS/Station</li> <li>Transmit rate adaption, transmit power control</li> <li>Modulation and coding scheme (MCS): <ul style="list-style-type: none"> <li>802.11ac—MCS0-9 Nsts=1 and 2</li> <li>802.11n—MCS0-15</li> </ul> </li> <li>20/40/80 MHz channel bandwidths support</li> <li>On-chip gain selectable LNA with optimized noise figure and power consumption</li> <li>Internal PA with optimized gain distribution for linearity and noise performance</li> <li>Support Wild variety of WLAN encryption: TKIP/WEP/AES</li> </ul>																				

Feature	Description
Advanced Bluetooth	<ul style="list-style-type: none"> <li>Bluetooth 5.1</li> <li>Supports the following data rates: 1 Mbps (GFSK), 2 Mbps (<math>\pi/4</math>-DQPSK), 3 Mbps (8-DPSK)</li> <li>Digital audio interface with TDM interface for voice application</li> <li>Adaptive Frequency Hopping (AFH) using Package Error Rate (PER)</li> <li>Standard SDIO or UART HCI transport layer</li> <li>WLAN/Bluetooth coexistence protocol support</li> <li>Shared LNA with WLAN/Bluetooth</li> <li>Encryption (AES) support</li> </ul>

## 4 SPECIFICATIONS

Table 3: Specifications




Feature	Description																				
Physical Interface	84-pin LGA package (including 16 thermal ground pad under the package)																				
Wi-Fi Interface	1-bit or 4-bit Secure Digital I/O; PCIe v3.0 Gen1/Gen2 (2.5/5 Gbps); USB 2.0																				
Bluetooth/ BLE Interface	Host Controller Interface (HCI) using High Speed UART, SDIO, USB 2.0																				
	<table border="1"> <thead> <tr> <th>Strap Value CONFIG_HOST[2-0]</th> <th>WLAN</th> <th>Bluetooth /BLE</th> <th>ROM Notes</th> </tr> </thead> <tbody> <tr> <td>000</td> <td>SDIO</td> <td>UART</td> <td>-</td> </tr> <tr> <td>001</td> <td>SDIO</td> <td>SDIO</td> <td>-</td> </tr> <tr> <td>100</td> <td>USB 2.0</td> <td>UART</td> <td>Initial USB 2.0 PHY and COM PHY PCIe USB 2.0</td> </tr> <tr> <td>101</td> <td>USB 2.0</td> <td>USB 2.0</td> <td>Initial USB 2.0 PHY only</td> </tr> </tbody> </table>	Strap Value CONFIG_HOST[2-0]	WLAN	Bluetooth /BLE	ROM Notes	000	SDIO	UART	-	001	SDIO	SDIO	-	100	USB 2.0	UART	Initial USB 2.0 PHY and COM PHY PCIe USB 2.0	101	USB 2.0	USB 2.0	Initial USB 2.0 PHY only
Strap Value CONFIG_HOST[2-0]	WLAN	Bluetooth /BLE	ROM Notes																		
000	SDIO	UART	-																		
001	SDIO	SDIO	-																		
100	USB 2.0	UART	Initial USB 2.0 PHY and COM PHY PCIe USB 2.0																		
101	USB 2.0	USB 2.0	Initial USB 2.0 PHY only																		
Main Chip	Marvell 88W8997 (WLAN/BT); Marvell 88PG823 (PMU)																				
Input Voltage Requirements	DC 3.3 V $\pm$ 10%																				
I/O Signalling Voltage	DC 1.8 V $\pm$ 10%																				
Operating Temperature	-30° to 85°C (-22° to 185°F)																				
Operating Humidity	10 to 90% (non-condensing)																				
Storage Temperature	-40° to 85°C (-40° to 185°F)																				
Storage Humidity	10 to 90% (non-condensing)																				
Maximum Electrostatic Discharge	Conductive 4KV; Air coupled 8KV follow EN61000-4-2																				
Size	22 mm (length) x 30 mm (width) x 3.3 mm (thickness)																				
Weight	TBD 5g																				
Wi-Fi Media	Direct Sequence-Spread Spectrum (DSSS) Complementary Code Keying (CCK) Orthogonal Frequency Divisional Multiplexing (OFDM)																				
Bluetooth Media	Frequency Hopping Spread Spectrum (FHSS)																				
Wi-Fi Media Access Protocol	Carrier sense multiple access with collision avoidance (CSMA/CA) A-MPDU Rx (De-aggregation) and Tx (aggregation) (802.11ac single-MPDU A-MPDU)																				

Feature	Description																																																																																																																																																																																																																																																																		
<b>Network Architecture Types</b>	Infrastructure and ad-hoc																																																																																																																																																																																																																																																																		
<b>Wi-Fi Standards</b>	IEEE 802.11a, 802.11b, 802.11d*, 802.11e, 802.11g, 802.11h, 802.11i, 802.11k*, 802.11n, 802.11r, 802.11v*, 802.11ac * Summit version only																																																																																																																																																																																																																																																																		
<b>Bluetooth Standards</b>	Bluetooth 5.1																																																																																																																																																																																																																																																																		
<b>Wi-Fi Data Rates Supported</b>	Support 802.11 ac/a/b/g/n 2X2 MIMO MU-MIMO/802.11ac Wave 2 802.11b (DSSS, CCK) 1, 2, 5.5, 11 Mbps 802.11a/g (OFDM) 6, 9, 12, 18, 24, 36, 48, 54 Mbps 802.11n (OFDM, HT20/HT40, MCS 0-15) 802.11ac (OFDM, HT20, MCS0-8; OFDM HT40/HT80, MCS 0-9)																																																																																																																																																																																																																																																																		
<b>Modulation Table</b>	BPSK, QPSK, CCK, 16-QAM, 64-QAM, and 256-QAM.																																																																																																																																																																																																																																																																		
	<table border="1"> <thead> <tr> <th rowspan="2">802.11ac 802.11n</th> <th rowspan="2">HT MCS Index</th> <th rowspan="2">VHT MCS Index</th> <th rowspan="2">Spatial Streams</th> <th rowspan="2">Modulation</th> <th rowspan="2">Coding</th> <th colspan="2">20 MHz</th> <th colspan="2">40 MHz</th> <th colspan="2">80 MHz</th> </tr> <tr> <th>No SGI</th> <th>SGI</th> <th>No SGI</th> <th>SGI</th> <th>No SGI</th> <th>SGI</th> </tr> </thead> <tbody> <tr><td></td><td>0</td><td>0</td><td>1</td><td>BPSK</td><td>1/2</td><td>6.5</td><td>7.2</td><td>13.5</td><td>15</td><td>29.3</td><td>32.5</td></tr> <tr><td></td><td>1</td><td>1</td><td>1</td><td>QPSK</td><td>1/2</td><td>13</td><td>14.4</td><td>27</td><td>30</td><td>58.5</td><td>65</td></tr> <tr><td></td><td>2</td><td>2</td><td>1</td><td>QPSK</td><td>3/4</td><td>19.5</td><td>21.7</td><td>40.5</td><td>45</td><td>87.8</td><td>97.5</td></tr> <tr><td></td><td>3</td><td>3</td><td>1</td><td>16-QAM</td><td>1/2</td><td>26</td><td>28.9</td><td>54</td><td>60</td><td>117</td><td>130</td></tr> <tr><td></td><td>4</td><td>4</td><td>1</td><td>16-QAM</td><td>3/4</td><td>39</td><td>43.3</td><td>81</td><td>90</td><td>175.5</td><td>195</td></tr> <tr><td></td><td>5</td><td>5</td><td>1</td><td>64-QAM</td><td>2/3</td><td>52</td><td>57.8</td><td>108</td><td>120</td><td>234</td><td>260</td></tr> <tr><td></td><td>6</td><td>6</td><td>1</td><td>64-QAM</td><td>3/4</td><td>58.5</td><td>65</td><td>121.5</td><td>135</td><td>263.3</td><td>292.5</td></tr> <tr><td></td><td>7</td><td>7</td><td>1</td><td>64-QAM</td><td>5/6</td><td>65</td><td>72.2</td><td>135</td><td>150</td><td>292.5</td><td>325</td></tr> <tr><td></td><td></td><td>8</td><td>1</td><td>256-QAM</td><td>3/4</td><td>78</td><td>86.7</td><td>162</td><td>180</td><td>351</td><td>390</td></tr> <tr><td></td><td></td><td>9</td><td>1</td><td>256-QAM</td><td>5/6</td><td>N/A</td><td>N/A</td><td>180</td><td>200</td><td>390</td><td><b>433.3</b></td></tr> <tr><td></td><td>8</td><td>0</td><td>2</td><td>BPSK</td><td>1/2</td><td>13</td><td>14.4</td><td>27</td><td>30</td><td>58.5</td><td>65</td></tr> <tr><td></td><td>9</td><td>1</td><td>2</td><td>QPSK</td><td>1/2</td><td>26</td><td>28.9</td><td>54</td><td>60</td><td>117</td><td>130</td></tr> <tr><td></td><td>10</td><td>2</td><td>2</td><td>QPSK</td><td>3/4</td><td>39</td><td>43.3</td><td>81</td><td>90</td><td>175.5</td><td>195</td></tr> <tr><td></td><td>11</td><td>3</td><td>2</td><td>16-QAM</td><td>1/2</td><td>52</td><td>57.8</td><td>108</td><td>120</td><td>234</td><td>260</td></tr> <tr><td></td><td>12</td><td>4</td><td>2</td><td>16-QAM</td><td>3/4</td><td>78</td><td>86.7</td><td>162</td><td>180</td><td>351</td><td>390</td></tr> <tr><td></td><td>13</td><td>5</td><td>2</td><td>64-QAM</td><td>2/3</td><td>104</td><td>115.6</td><td>216</td><td>240</td><td>468</td><td>520</td></tr> <tr><td></td><td>14</td><td>6</td><td>2</td><td>64-QAM</td><td>3/4</td><td>117</td><td>130.3</td><td>243</td><td>270</td><td>526.5</td><td>585</td></tr> <tr><td></td><td>15</td><td>7</td><td>2</td><td>64-QAM</td><td>5/6</td><td>130</td><td>144.4</td><td>270</td><td>300</td><td>585</td><td>650</td></tr> <tr><td></td><td></td><td>8</td><td>2</td><td>256-QAM</td><td>3/4</td><td>156</td><td>173.3</td><td>324</td><td>360</td><td>702</td><td>180</td></tr> <tr><td></td><td></td><td>9</td><td>2</td><td>256-QAM</td><td>5/6</td><td>N/A</td><td>N/A</td><td>360</td><td>400</td><td>780</td><td><b>866.7</b></td></tr> </tbody> </table>	802.11ac 802.11n	HT MCS Index	VHT MCS Index	Spatial Streams	Modulation	Coding	20 MHz		40 MHz		80 MHz		No SGI	SGI	No SGI	SGI	No SGI	SGI		0	0	1	BPSK	1/2	6.5	7.2	13.5	15	29.3	32.5		1	1	1	QPSK	1/2	13	14.4	27	30	58.5	65		2	2	1	QPSK	3/4	19.5	21.7	40.5	45	87.8	97.5		3	3	1	16-QAM	1/2	26	28.9	54	60	117	130		4	4	1	16-QAM	3/4	39	43.3	81	90	175.5	195		5	5	1	64-QAM	2/3	52	57.8	108	120	234	260		6	6	1	64-QAM	3/4	58.5	65	121.5	135	263.3	292.5		7	7	1	64-QAM	5/6	65	72.2	135	150	292.5	325			8	1	256-QAM	3/4	78	86.7	162	180	351	390			9	1	256-QAM	5/6	N/A	N/A	180	200	390	<b>433.3</b>		8	0	2	BPSK	1/2	13	14.4	27	30	58.5	65		9	1	2	QPSK	1/2	26	28.9	54	60	117	130		10	2	2	QPSK	3/4	39	43.3	81	90	175.5	195		11	3	2	16-QAM	1/2	52	57.8	108	120	234	260		12	4	2	16-QAM	3/4	78	86.7	162	180	351	390		13	5	2	64-QAM	2/3	104	115.6	216	240	468	520		14	6	2	64-QAM	3/4	117	130.3	243	270	526.5	585		15	7	2	64-QAM	5/6	130	144.4	270	300	585	650			8	2	256-QAM	3/4	156	173.3	324	360	702	180			9	2	256-QAM	5/6	N/A	N/A	360	400	780	<b>866.7</b>
802.11ac 802.11n	HT MCS Index							VHT MCS Index	Spatial Streams	Modulation	Coding	20 MHz		40 MHz		80 MHz																																																																																																																																																																																																																																																			
		No SGI	SGI	No SGI	SGI	No SGI	SGI																																																																																																																																																																																																																																																												
	0	0	1	BPSK	1/2	6.5	7.2	13.5	15	29.3	32.5																																																																																																																																																																																																																																																								
	1	1	1	QPSK	1/2	13	14.4	27	30	58.5	65																																																																																																																																																																																																																																																								
	2	2	1	QPSK	3/4	19.5	21.7	40.5	45	87.8	97.5																																																																																																																																																																																																																																																								
	3	3	1	16-QAM	1/2	26	28.9	54	60	117	130																																																																																																																																																																																																																																																								
	4	4	1	16-QAM	3/4	39	43.3	81	90	175.5	195																																																																																																																																																																																																																																																								
	5	5	1	64-QAM	2/3	52	57.8	108	120	234	260																																																																																																																																																																																																																																																								
	6	6	1	64-QAM	3/4	58.5	65	121.5	135	263.3	292.5																																																																																																																																																																																																																																																								
	7	7	1	64-QAM	5/6	65	72.2	135	150	292.5	325																																																																																																																																																																																																																																																								
		8	1	256-QAM	3/4	78	86.7	162	180	351	390																																																																																																																																																																																																																																																								
		9	1	256-QAM	5/6	N/A	N/A	180	200	390	<b>433.3</b>																																																																																																																																																																																																																																																								
	8	0	2	BPSK	1/2	13	14.4	27	30	58.5	65																																																																																																																																																																																																																																																								
	9	1	2	QPSK	1/2	26	28.9	54	60	117	130																																																																																																																																																																																																																																																								
	10	2	2	QPSK	3/4	39	43.3	81	90	175.5	195																																																																																																																																																																																																																																																								
	11	3	2	16-QAM	1/2	52	57.8	108	120	234	260																																																																																																																																																																																																																																																								
	12	4	2	16-QAM	3/4	78	86.7	162	180	351	390																																																																																																																																																																																																																																																								
	13	5	2	64-QAM	2/3	104	115.6	216	240	468	520																																																																																																																																																																																																																																																								
	14	6	2	64-QAM	3/4	117	130.3	243	270	526.5	585																																																																																																																																																																																																																																																								
	15	7	2	64-QAM	5/6	130	144.4	270	300	585	650																																																																																																																																																																																																																																																								
		8	2	256-QAM	3/4	156	173.3	324	360	702	180																																																																																																																																																																																																																																																								
		9	2	256-QAM	5/6	N/A	N/A	360	400	780	<b>866.7</b>																																																																																																																																																																																																																																																								
<b>802.11ac/n Spatial Streams</b>	2 (2x2 MIMO)																																																																																																																																																																																																																																																																		
<b>Bluetooth Data Rates Supported</b>	1, 2, 3 Mbps																																																																																																																																																																																																																																																																		
<b>Bluetooth Modulation</b>	GFSK@ 1 Mbps Pi/4-DQPSK@ 2 Mbps 8-DPSK@ 3 Mbps																																																																																																																																																																																																																																																																		

Feature	Description
<b>Regulatory Domain Support</b>	FCC (Americas, Parts of Asia, and Middle East) ETSI (Europe, Middle East, Africa, and Parts of Asia) IC (Industry Canada) MIC (Japan) (formerly TELEC) – Option KC (Korea) (formerly KCC) – Option
<b>2.4 GHz Frequency Bands</b>	<b>ETSI:</b> 2.4 GHz to 2.483 GHz <b>FCC:</b> 2.4 GHz to 2.473 GHz <b>MIC:</b> 2.4 GHz to 2.495 GHz <b>KC:</b> 2.4 GHz to 2.483 GHz
<b>2.4 GHz Operating Channels (Wi-Fi)</b>	<b>ETSI:</b> 13 (3 non-overlapping) <b>FCC:</b> 11 (3 non-overlapping) <b>MIC:</b> 14 (4 non-overlapping) <b>KC:</b> 13 (3 non-overlapping)
<b>5 GHz Frequency Bands</b>	<b>ETSI</b> 5.15 GHz to 5.35 GHz (Ch 36/40/44/48/52/56/60/64) 5.47 GHz to 5.725 GHz (Ch 100/104/108/112/116/120/124/128/132/136/140/144) <b>FCC</b> 5.15 GHz to 5.35 GHz (Ch 36/40/44/48/52/56/60/64) 5.47 GHz to 5.725 GHz (Ch 100/104/108/112/116/120/124/128/132/136/140/144) 5.725 GHz to 5.825 GHz (Ch 149/153/157/161/165) <b>MIC (Japan)</b> 5.15 GHz to 5.35 GHz (Ch 36/40/44/48/52/56/60/64) 5.47 GHz to 5.725 GHz (Ch 100/104/108/112/116/120/124/128/132/136/140/144) <b>KC</b> 5.15 GHz to 5.35 GHz (Ch 36/40/44/48/52/56/60/64) 5.47 GHz to 5.725 GHz (Ch 100/104/108/112/116/120/124) 5.725 GHz to 5.825 GHz (Ch 149/153/157/161/165)
<b>5 GHz Operating Channels (Wi-Fi)</b>	<b>ETSI:</b> 19 non-overlapping; <b>FCC:</b> 24 non-overlapping <b>MIC (Japan):</b> 19 non-overlapping; <b>KC:</b> 20 non-overlapping
<b>Transmit Power</b>	<b>802.11a</b> 6 Mbps 18 dBm (63 mW) 54 Mbps 16 dBm (40 mW) <b>802.11b</b> 1 Mbps 18 dBm (63 mW) 11 Mbps 18 dBm (63 mW) <b>802.11g</b> 6 Mbps 18 dBm (63 mW) 54 Mbps 16 dBm (40 mW) <b>802.11n (2.4/5 GHz)</b> 6.5 Mbps (MCS0-5/MCS8-13;HT20) 18 dBm (63 mW) 65 Mbps (MCS6-7/MCS14-15;HT20) 16 dBm (40 mW) 13.5Mbps(MCS0-5/MCS8-13;HT40) 16 dBm (40 mW) 135Mbps (MCS6-7/MCS14-15;HT40) 14 dBm (25 mW) <b>802.11ac (5 GHz)</b> 6.5/13 Mbps (MCS0-6;Ntst=1,2;HT20) 18 dBm (63 mW) 78/156 Mbps (MCS7-8;Ntst=1,2;HT20) 16 dBm (40 mW)
<b>Note:</b>	<i>Transmit power on each channel varies according to individual country regulations. All values are nominal with +/-2 dBm tolerance at room temperature. Tolerance could be up to +/-2.5 dBm across operating temperature.</i>



Feature	Description	
HT20 – 20 MHz-wide channels	13.5/27Mbps (MCS0-6;Ntst=1,2;HT40)	16 dBm (40 mW)
	180/360Mbps (MCS7-9;Ntst=1,2;HT40)	14 dBm (25 mW)
HT40 – 40 Mhz-wide channels	29.3/58.5 Mbps (MCS0-5;Ntst=1,2;HT80)	14 dBm (25 mW)
	263.3/526.5 Mbps (MCS6-8;Ntst=1,2;HT80)	12 dBm (15.8 mW)
HT80 – 80 MHz-wide channels	390/780 Mbps (MCS9;Ntst=1,2;HT80)	10 dBm (10 mW)
	<b>Bluetooth</b>	
	1 Mbps (1DH5)	10 dBm (12.5 mW)
	2 Mbps	7 dBm (6.3 mW)
	3 Mbps	7 dBm (6.3 mW)
	BLE (1 Mbps)	7 dBm (6.3 mW)
<b>Typical Receiver Sensitivity</b> (PER <= 10%)	<b>802.11a:</b> 6 Mbps 54 Mbps	-89 dBm -74 dBm
<b>Note:</b> All values nominal, +/-3 dBm.	<b>802.11b:</b> 1 Mbps 11 Mbps	-95 dBm -90 dBm
Sensitivity on CH13 (WLAN)/CH78 (BT) will degrade up to 4-6dB.	<b>802.11g:</b> 6 Mbps 54 Mbps	-91 dBm -75 dBm
	<b>802.11n (2.4 GHz)</b> 6.5 Mbps (MCS0;HT20) 65 Mbps (MCS7;HT20) 13.5Mbps(MCS0;HT40) 135Mbps (MCS7;HT40)	-91 dBm -73 dBm -85 dBm -70 dBm
	<b>802.11n (5 GHz)</b> 6.5 Mbps (MCS0;HT20) 65 Mbps (MCS7;HT20) 13.5Mbps(MCS0;HT40) 135Mbps (MCS7;HT40)	-89 dBm -70 dBm -86 dBm -69 dBm
	<b>802.11ac (5 GHz)</b> 6.5 Mbps (MCS0;HT20) 78 Mbps (MCS8;HT20) 13.5 Mbps (MCS0;HT40) 180 Mbps (MCS9;HT40) 29.3 Mbps (MCS0;HT80) 390/780 Mbps (MCS9;HT80)	-89 dBm -67 dBm -86 dBm -63 dBm -81 dBm -60 dBm
	<b>Bluetooth:</b> 1 Mbps (1DH5) 2Mbps (2DH5) 3 Mbps (3DH5) BLE	-95 dBm -94 dBm -88 dBm -95 dBm
<b>Operating Systems Supported</b>	Laird Linux Android	

Feature	Description								
<b>Security</b>	<p><b>Standards</b></p> <p>Wireless Equivalent Privacy (WEP) Wi-Fi Protected Access (WPA) IEEE 802.11i (WPA2)</p> <p><b>Encryption</b></p> <p>Wireless Equivalent Privacy (WEP, RC4 Algorithm) Temporal Key Integrity Protocol (TKIP, RC4 Algorithm) Advanced Encryption Standard (AES, Rijndael Algorithm) Encryption Key Provisioning Static (40-bit and 128-bit lengths) Pre-Shared (PSK)</p> <p><b>Dynamic</b></p> <p>802.1X Extensible Authentication Protocol Types</p> <table border="1"> <tr> <td>EAP-FAST</td> <td>PEAP-MSCHAPv2</td> </tr> <tr> <td>EAP-TLS</td> <td>PEAP-TLS</td> </tr> <tr> <td>EAP-TTLS</td> <td>LEAP</td> </tr> <tr> <td>PEAP-GTC</td> <td></td> </tr> </table> <p><b>Note:</b> EAP types are supplicant software dependent.</p>	EAP-FAST	PEAP-MSCHAPv2	EAP-TLS	PEAP-TLS	EAP-TTLS	LEAP	PEAP-GTC	
EAP-FAST	PEAP-MSCHAPv2								
EAP-TLS	PEAP-TLS								
EAP-TTLS	LEAP								
PEAP-GTC									
<b>Compliance</b>	<p><b>ETSI Regulatory Domain</b></p> <p>EN 300 328 EN 301 489-1 EN 301 489-17 EN 301 893 EN 60950-1 EU 2002/95/EC (RoHS)</p> <p><b>FCC Regulatory Domain</b></p> <p>FCC 15.247 DTS – 802.11b/g (Wi-Fi) – 2.4 GHz FCC 15.407 UNII – 802.11a (Wi-Fi) – 5 GHz FCC 15.247 DSS – BT 2.1</p> <p><b>Industry Canada</b></p> <p>RSS-247 – 802.11a/b/g/n (Wi-Fi) – 2.4 GHz, 5.8 GHz, 5.2 GHz, and 5.4 GHz RSS-247 – BT 2.1</p>								
<b>Certifications</b>	<p><b>Wi-Fi Alliance</b> (Summit version only) 802.11a, 802.11b, 802.11g, 802.11n, 802.11ac WPA Enterprise WPA2 Enterprise</p> <p><b>Cisco Compatible Extensions</b> (Version 4) (Summit version only)</p> <p><b>Bluetooth® SIG Qualification</b></p> <div style="display: flex; justify-content: space-around; align-items: center;">    </div>								
<b>Warranty</b>	One Year Warranty								

**All specifications are subject to change without notice**

## 5 WLAN FUNCTIONAL DESCRIPTION

The ST60-2230C/ST60-2230C-SS/ST60-2230C-U/ST60-2230C-UU M2 module is designed based on the 60-SIPT SiP. It is optimized for high-speed, reliable, and low-power embedded applications. It is integrated with dual-band WLAN (2.4 GHz/5 GHz) and Bluetooth 5.1. Its functionality includes the following:

- Improved throughput on the link due to frame aggregation, RIFS (reduced inter-frame spacing), and half-guard intervals.
- Support for STBC (Space Time Block Codes) and LDPC (Low Density Parity Check) codes.
- Improved 11n performance due to features such as 11n frame aggregation (A-MPDU and A-MSDU) and low-overhead host-assisted buffering (RX A-MSDU and RX A-MPDU). These techniques can improve performance and efficiency of applications involving large bulk data transfers such as file transfers or high-resolution video streaming.
- IEEE 802.11 ac (Wave 2), 2X2 receive Multi-User MIMO (MU-MIMO) spatial stream multiplexing with data rate up to MCS9 (866.7 Mbps).

Additional functionality is listed in [Table 4](#).

**Table 4: WLAN functions**

Feature	Description
<b>WLAN MAC</b>	<ul style="list-style-type: none"> <li>▪ Frame Exchange at the MAC level to deliver data</li> <li>▪ Received frame filtering and validation (Cyclic Redundancy Check (CRC))</li> <li>▪ Generation of MAC header and trailer information (MAC protocol Data Units (MPDUs))</li> <li>▪ Fragmentation of data frames (MAC Service Data Units (MSDUs))</li> <li>▪ Access Mechanism support for fair access to shared wireless medium through (DCF and EDCA)</li> <li>▪ A-MPDU Aggregation/Deaggregation (support 802.11ac single –MPDU A-MPDU)</li> <li>▪ 20/40/80 MHz channel Coexistence</li> <li>▪ RIFS Burst Receive</li> <li>▪ Management Information Base</li> <li>▪ Radio Resource Measurement</li> <li>▪ Quality of Service</li> <li>▪ Block Acknowledgement</li> <li>▪ 802.11ac Downlink MU-MIMO (receive)</li> <li>▪ Dynamic Frequency Selection</li> <li>▪ Beamforming</li> <li>▪ TIM Frame TX and RX</li> <li>▪ Multi-BSS/Station</li> <li>▪ Transmit Rate Adaptation.</li> <li>▪ Transmit Power Control</li> </ul>
<b>WLAN Base Band</b>	<ul style="list-style-type: none"> <li>▪ 802.11ac 2x2 MU-MIMO (with on-chip Marvell RF radio)</li> <li>▪ Backward compatibility with legacy 802.11 n/a/b/g technology</li> <li>▪ WLAN/Bluetooth LNA sharing</li> <li>▪ PHY rate up to 866.7Mbps</li> <li>▪ 20MHz bandwidth/channel, 40MHz bandwidth/channel, upper/lower 20MHz packets in 40MHz channel, 20MHz duplicate legacy packets in 40MHz channel operation</li> <li>▪ 80MHz bandwidth/channel, 4 positions of 20MHz packets in 80MHz channel, upper/lower 40MHz packets in 80MHz channel, 20MHz quadruplicate legacy packets in 80MHz channel mode operation</li> <li>▪ Modulation and Coding Scheme (MCS): 802.11 ac (MCS0-9. Nsts=1/2); 802.11n (MCS0-15)</li> <li>▪ 802.11 K Radio Resource Measurement</li> <li>▪ 802.11ac /802.11n optional MIMO features:                             <ul style="list-style-type: none"> <li>– 20/40/80 MHz Coexistence with middle-packaged detection (GI detection) for enhanced CCA.</li> <li>– 1 spatial stream STBC reception and transmission</li> <li>– LDPC transmission and reception for 802.11ac and 802.11n</li> <li>– 256 QAM (MCS8-9) modulations supported</li> <li>– Short guard interval</li> <li>– RIFS on receive path for 802.11n packets</li> <li>– 802.11n Greenfield TX/RX</li> </ul> </li> <li>▪ Power Save Feature</li> </ul>

Feature	Description																																																																																																																																																																																																																								
<b>WLAN Security</b>	<p>WLAN Encryption features supported include:</p> <ul style="list-style-type: none"> <li>▪ Temporal Key Integrity Protocol (TKIP)/Wired Equivalent Privacy (WEP)</li> <li>▪ Advanced Encryption Standard (AES)/Counter-Mode/CBC-MAC Protocol (CCMP)</li> <li>▪ Advanced Encryption Standard (AES)/Cipher-Based Message Authentication Code (CMAC)</li> <li>▪ Advanced Encryption Standard (AES)/Galois/Counter Mode Protocol (GCMP)</li> <li>▪ WLAN Authentication and Private Infrastructure (WPAI)</li> </ul>																																																																																																																																																																																																																								
<b>WLAN Channel</b>	<p>Channel frequency supported.</p> <table border="1"> <thead> <tr> <th colspan="4">20 MHz</th> <th colspan="2">40 MHz</th> <th colspan="2">80 MHz</th> </tr> <tr> <th>Channel</th> <th>Freq. (MHz)</th> <th>Channel</th> <th>Freq. (MHz)</th> <th>Channel</th> <th>Freq. (MHz)</th> <th>Channel</th> <th>Freq. (MHz)</th> </tr> </thead> <tbody> <tr><td>1</td><td>2412</td><td>36</td><td>5180</td><td>1-5</td><td>2422</td><td>42</td><td>5210</td></tr> <tr><td>2</td><td>2417</td><td>40</td><td>5200</td><td>2-6</td><td>2427</td><td>58</td><td>5290</td></tr> <tr><td>3</td><td>2422</td><td>44</td><td>5220</td><td>3-7</td><td>2432</td><td>74</td><td>5370</td></tr> <tr><td>4</td><td>2427</td><td>48</td><td>5240</td><td>4-8</td><td>2437</td><td>90</td><td>5410</td></tr> <tr><td>5</td><td>2432</td><td>52</td><td>5260</td><td>5-9</td><td>2442</td><td>106</td><td>5530</td></tr> <tr><td>6</td><td>2437</td><td>56</td><td>5280</td><td>6-10</td><td>2447</td><td>122</td><td>5610</td></tr> <tr><td>7</td><td>2442</td><td>60</td><td>5300</td><td>7-11</td><td>2452</td><td>138</td><td>5690</td></tr> <tr><td>8</td><td>2447</td><td>64</td><td>5320</td><td>36-40</td><td>5190</td><td>155</td><td>5775</td></tr> <tr><td>9</td><td>2452</td><td>100</td><td>5500</td><td>44-48</td><td>5230</td><td></td><td></td></tr> <tr><td>10</td><td>2457</td><td>104</td><td>5520</td><td>52-56</td><td>5270</td><td></td><td></td></tr> <tr><td>11</td><td>2462</td><td>108</td><td>5540</td><td>60-64</td><td>5310</td><td></td><td></td></tr> <tr><td>12</td><td>2467</td><td>112</td><td>5560</td><td>68-72</td><td>5350</td><td></td><td></td></tr> <tr><td>13</td><td>2472</td><td>116</td><td>5580</td><td>76-80</td><td>5390</td><td></td><td></td></tr> <tr><td></td><td></td><td>120</td><td>5600</td><td>84-88</td><td>5430</td><td></td><td></td></tr> <tr><td></td><td></td><td>124</td><td>5620</td><td>92-96</td><td>5470</td><td></td><td></td></tr> <tr><td></td><td></td><td>128</td><td>5640</td><td>100-104</td><td>5510</td><td></td><td></td></tr> <tr><td></td><td></td><td>132</td><td>5660</td><td>108-112</td><td>5550</td><td></td><td></td></tr> <tr><td></td><td></td><td>136</td><td>5680</td><td>116-120</td><td>5590</td><td></td><td></td></tr> <tr><td></td><td></td><td>140</td><td>5700</td><td>124-128</td><td>5630</td><td></td><td></td></tr> <tr><td></td><td></td><td>144</td><td>5720</td><td>132-136</td><td>5670</td><td></td><td></td></tr> <tr><td></td><td></td><td>149</td><td>5745</td><td>140-144</td><td>5710</td><td></td><td></td></tr> <tr><td></td><td></td><td>153</td><td>5765</td><td>149-153</td><td>5755</td><td></td><td></td></tr> <tr><td></td><td></td><td>157</td><td>5785</td><td>157-161</td><td>5795</td><td></td><td></td></tr> <tr><td></td><td></td><td>161</td><td>5805</td><td></td><td></td><td></td><td></td></tr> <tr><td></td><td></td><td>165</td><td>5825</td><td></td><td></td><td></td><td></td></tr> </tbody> </table>	20 MHz				40 MHz		80 MHz		Channel	Freq. (MHz)	Channel	Freq. (MHz)	Channel	Freq. (MHz)	Channel	Freq. (MHz)	1	2412	36	5180	1-5	2422	42	5210	2	2417	40	5200	2-6	2427	58	5290	3	2422	44	5220	3-7	2432	74	5370	4	2427	48	5240	4-8	2437	90	5410	5	2432	52	5260	5-9	2442	106	5530	6	2437	56	5280	6-10	2447	122	5610	7	2442	60	5300	7-11	2452	138	5690	8	2447	64	5320	36-40	5190	155	5775	9	2452	100	5500	44-48	5230			10	2457	104	5520	52-56	5270			11	2462	108	5540	60-64	5310			12	2467	112	5560	68-72	5350			13	2472	116	5580	76-80	5390					120	5600	84-88	5430					124	5620	92-96	5470					128	5640	100-104	5510					132	5660	108-112	5550					136	5680	116-120	5590					140	5700	124-128	5630					144	5720	132-136	5670					149	5745	140-144	5710					153	5765	149-153	5755					157	5785	157-161	5795					161	5805							165	5825				
20 MHz				40 MHz		80 MHz																																																																																																																																																																																																																			
Channel	Freq. (MHz)	Channel	Freq. (MHz)	Channel	Freq. (MHz)	Channel	Freq. (MHz)																																																																																																																																																																																																																		
1	2412	36	5180	1-5	2422	42	5210																																																																																																																																																																																																																		
2	2417	40	5200	2-6	2427	58	5290																																																																																																																																																																																																																		
3	2422	44	5220	3-7	2432	74	5370																																																																																																																																																																																																																		
4	2427	48	5240	4-8	2437	90	5410																																																																																																																																																																																																																		
5	2432	52	5260	5-9	2442	106	5530																																																																																																																																																																																																																		
6	2437	56	5280	6-10	2447	122	5610																																																																																																																																																																																																																		
7	2442	60	5300	7-11	2452	138	5690																																																																																																																																																																																																																		
8	2447	64	5320	36-40	5190	155	5775																																																																																																																																																																																																																		
9	2452	100	5500	44-48	5230																																																																																																																																																																																																																				
10	2457	104	5520	52-56	5270																																																																																																																																																																																																																				
11	2462	108	5540	60-64	5310																																																																																																																																																																																																																				
12	2467	112	5560	68-72	5350																																																																																																																																																																																																																				
13	2472	116	5580	76-80	5390																																																																																																																																																																																																																				
		120	5600	84-88	5430																																																																																																																																																																																																																				
		124	5620	92-96	5470																																																																																																																																																																																																																				
		128	5640	100-104	5510																																																																																																																																																																																																																				
		132	5660	108-112	5550																																																																																																																																																																																																																				
		136	5680	116-120	5590																																																																																																																																																																																																																				
		140	5700	124-128	5630																																																																																																																																																																																																																				
		144	5720	132-136	5670																																																																																																																																																																																																																				
		149	5745	140-144	5710																																																																																																																																																																																																																				
		153	5765	149-153	5755																																																																																																																																																																																																																				
		157	5785	157-161	5795																																																																																																																																																																																																																				
		161	5805																																																																																																																																																																																																																						
		165	5825																																																																																																																																																																																																																						

## 6 BLUETOOTH FUNCTIONAL DESCRIPTION

The ST60-2230C/ST60-2230C-SS/ST60-2230C-U/ST60-2230C-UU Bluetooth (BT) block is based on the 60-SIPT SiP that already has fully-integrated Bluetooth baseband and radio. Several features and functions are listed in [Table 5](#).

**Table 5: Bluetooth functions**

Feature	Description
<b>Bluetooth Interface</b>	<p>Voice interface:</p> <ul style="list-style-type: none"> <li>▪ Hardware support for continual PCM data transmission/reception without processor overhead.</li> <li>▪ Standard PCM clock rates from 64 kHz to 2.048 MHz with multi-slot handshake and synchronization.</li> <li>▪ A-law, U-law, and linear voice PCM encoding/decoding.</li> <li>▪ SDIO interface</li> <li>▪ High-Speed UART interface</li> <li>▪ USB 2.0</li> </ul>
<b>Bluetooth Core functionality</b>	<ul style="list-style-type: none"> <li>▪ Bluetooth 5.1</li> <li>▪ Bluetooth Class 2/Bluetooth class 1</li> <li>▪ WLAN and Bluetooth share same LNA and antenna</li> <li>▪ Digital audio interfaces with TDM interface for voice application</li> <li>▪ Baseband and radio BDR and EDR package type: 1Mbps, 2Mbps, 3Mbps</li> <li>▪ Fully functional Bluetooth baseband: AFH, forward error correction, header error control, access code correction, CRC, encryption bit stream generation, and whitening</li> <li>▪ Adaptive Frequency Hopping (AFH) using Packet Error Rate (PER)</li> <li>▪ Interlaced scan for faster connection setup</li> <li>▪ Simultaneous active ACL connection setup</li> <li>▪ Automatic ACL package type selection</li> <li>▪ Full master and slave piconet support</li> <li>▪ Scatter net support</li> <li>▪ SCO/eSCO links with hardware accelerated audio signal processing and hardware supported PPEC algorithm for speech quality improvement</li> <li>▪ All standard SCO/eSCO voice coding</li> <li>▪ All standard pairing, authentication, link key, and encryption operations</li> <li>▪ Encryption (AES) support</li> </ul>
<b>Bluetooth Low Energy (BLE) Core functionality</b>	<ul style="list-style-type: none"> <li>▪ Advertiser, Scanner, Initiator, Master, and Slave roles support (connects up to 16 links)</li> <li>▪ WLAN/Bluetooth Coexistence (BCA) protocol support</li> <li>▪ Shared RF with BDR/EDR</li> <li>▪ Encryption (AES) support</li> <li>▪ Intelligent Adaptive Frequency Hopping (AFH)</li> <li>▪ LE privacy 1.2</li> <li>▪ LE Secure Connection</li> <li>▪ LE Data Length Extension</li> <li>▪ LE Advertising Length Extension</li> <li>▪ 2 Mbps LE</li> </ul>

## 7 BLOCK DIAGRAM

### BLOCK DIAGRAM FOR 60-2230C

Note: Yellow pinout no connection

88 W8997 CSP-161

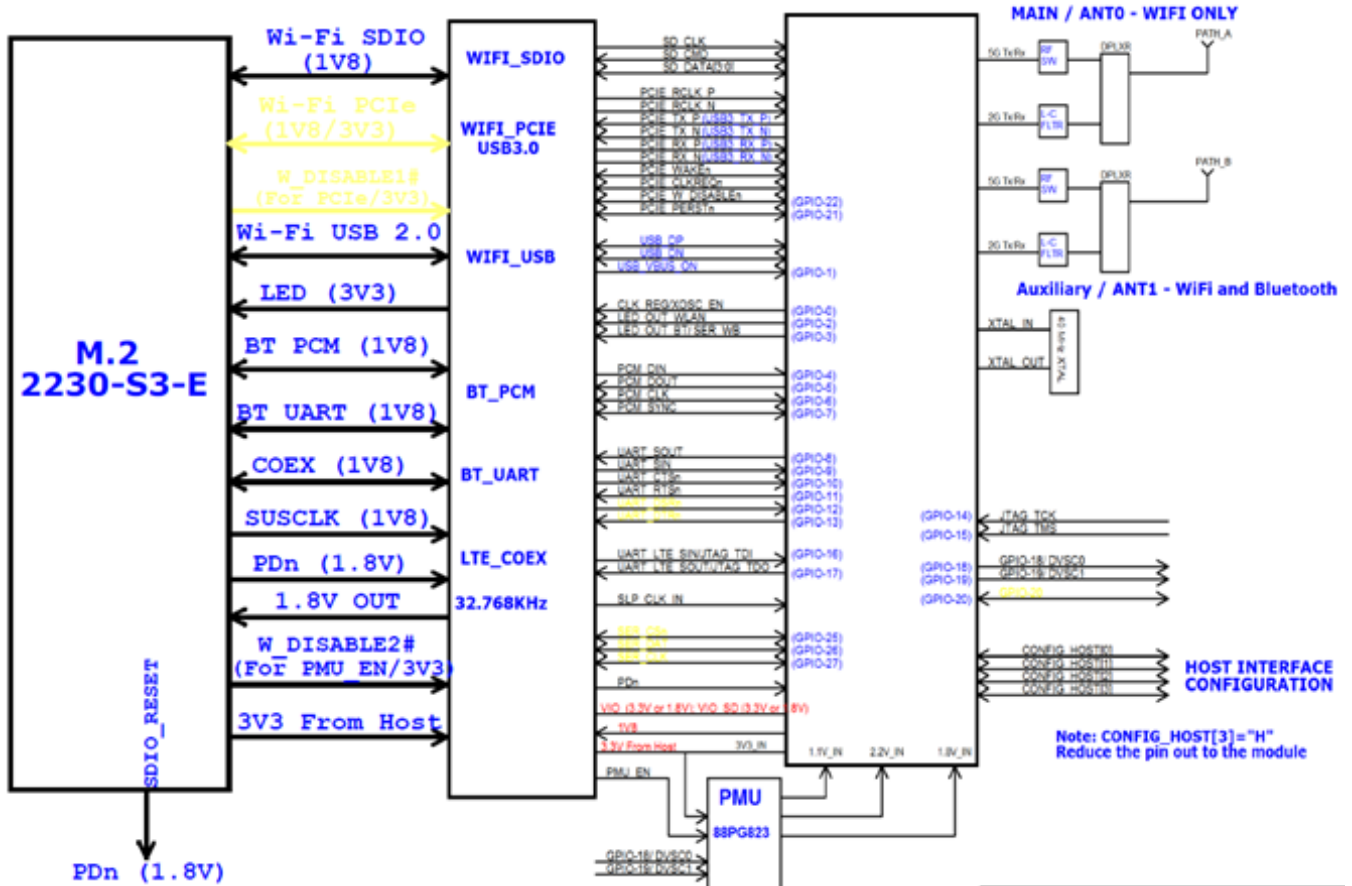


Figure 1: Block Diagram of ST60-2230C/ST60-2230C-SS/ST60-2230C-U/ST60-2230C-UU

## 8 ELECTRICAL CHARACTERISTICS

### 8.1 Absolute Maximum Ratings

Table 6 summarizes the absolute maximum ratings and Table 7 lists the recommended operating conditions for the ST60-2230C/ST60-2230C-SS/ST60-2230C-U/ST60-2230C-UU. Absolute maximum ratings are those values beyond which damage to the device can occur. Functional operation under these conditions, or at any other condition beyond those indicated in the operational sections of this document, is not recommended.

**Note:** Maximum rating for signals follows the supply domain of the signals.

**Table 6: Absolute maximum ratings**

Symbol (Domain)	Parameter	Max Rating	Unit
VIO_SD	WLAN host SDIO interface I/O supply (1.8V system)	2.2	V
VIO	I/O configuration power supply (1.8V system)	2.2	V
3V3	External 3.3V power supply	4.0	V
Storage	Storage Temperature	-40 to +85	°C
ANT0; ANT1	Maximum RF input (reference to 50-Ω input)	+10	dBm
ESD	Electrostatic discharge tolerance	2000	V

### 8.2 Recommended Operating Conditions

**Table 7: Recommended Operating Conditions**

Symbol (Domain)	Parameter	Min	Typ	Max	Unit
VIO_SD	WLAN host interface I/O supply	1.62	1.8	1.98	V
VIO	WLAN and BT GPIO I/O power supply	1.62	1.8	1.98	V
3V3	External 3.3V power supply	2.97	3.30	3.63	V
T-ambient	Ambient temperature	-30	25	85	°C

### 8.3 DC Electrical Characteristics

Table 8 list the general DC electrical characteristics over recommended operating conditions (unless otherwise specified).

**Table 8: General DC electrical characteristics (For 1.8V operation VIO\_SD;VIO)**

Symbol	Parameter	Conditions	Min	Typ	Max	Unit
VIH	High Level Input Voltage	--	0.7 x 1V8		1V8+0.4	V
VIL	Low Level Input Voltage	--	-0.4		0.3 x 1V8	V
VHYS	Input Hysteresis	--	100			mV
VOH	Output high Voltage	--	1V8-0.4			V
VOL	Output low Voltage	--			0.4	V

## 8.4 WLAN Radio Receiver Characteristics

Table 9 and Table 10 summarize the WLAN ST60-2230C/ST60-2230C-SS/ST60-2230C-U/ST60-2230C-UU receiver characteristics.

**Table 9: WLAN receiver characteristics for 2.4 GHz signal chain operation**

Symbol	Parameter	Conditions	Min	Typ	Max	Unit
Fr <sub>x</sub>	Receive input frequency range		2.412		2.484	GHz
Srf	Sensitivity					
	CCK, 1 Mbps	See Note <sup>3</sup>		-95		dBm
	CCK, 11 Mbps			-90		
	OFDM, 6 Mbps			-91		
	OFDM, 54 Mbps			-75		
	HT20, MCS0			-91		
	HT20, MCS7			-73		
Rad <sub>j</sub>	Adjacent channel rejection					
	OFDM, 6 Mbps	See Note <sup>4</sup>		TBD		dB
	OFDM, 54 Mbps			TBD		
	HT20, MCS0			TBD		
	HT20, MCS7			TBD		

<sup>3</sup>Performance data are measured under signal chain operation.

<sup>4</sup>Performance data are measured under signal chain operation.

**Table 10: WLAN receiver characteristics for 5 GHz dual chain operation**

Symbol	Parameter	Conditions	Min	Typ	Max	Unit
Fr <sub>x</sub>	Receive input frequency range		5.15		5.825	GHz
Srf	Sensitivity					
	OFDM, 6 Mbps	See Note <sup>5</sup>		-89		dBm
	OFDM, 54 Mbps			-74		
	HT20, MCS0			-89		
	HT20, MCS7			-70		
	HT40, MCS0			-86		
	HT40, MCS7			-69		
Rad <sub>j</sub>	Adjacent channel rejection					
	OFDM, 6 Mbps	See Note <sup>6</sup>		TBD		dB
	OFDM, 54 Mbps			TBD		
	HT20, MCS0			TBD		
	HT20, MCS7			TBD		

<sup>5</sup>Performance data are measured under signal chain operation

<sup>6</sup>Performance data are measured under signal chain operation.



## 8.5 WLAN Transmitter Characteristics

**Table 11: WLAN transmitter characteristics for 2.4 GHz per chain operation**

Symbol	Parameter	Conditions	Min	Typ	Max	Unit
Ftx	Transmit output frequency range		2.412		2.484	GHz
Pout	Output power	See Note <sup>7</sup>				dBm
	11b mask compliant	1-11Mbps		18		
	11g mask compliant	6-36Mbps		18		
	11g EVM compliant	48-54Mbps		16		
	11n HT20 mask compliant	MCS0-5/MCS8-13		18		
	11n HT20 EVM compliant	MCS6-7/MCS14-15		16		
	11n HT40 mask compliant	MCS0-5/MCS8-13		16		
	11n HT40 EVM compliant	MCS6-7/MCS14-15		14		
ATx	Transmit power accuracy at 25 °C	-	-	+ 2.0		dB

Freq.	Mode/Rate (Mbps)	Output Power Per Chain (dBm)	Max. Current Consumption	
			Single Chain (mA) <sup>8</sup>	Dual Chains (mA) <sup>8</sup>
2412 MHz	1 Mbps	18 dBm	340	620
	54 Mbps	16 dBm	280	500
	HT20 MCS7	16 dBm	280	510
2442 MHz	1 Mbps	18 dBm	340	620
	54 Mbps	16 dBm	280	500
	HT20 MCS7	16 dBm	280	510
2472 MHz	1 Mbps	18 dBm	340	620
	54 Mbps	16 dBm	280	500
	HT20 MCS7	16 dBm	280	510

**Table 11: WLAN transmitter characteristics for 5 GHz per chain operation**

Symbol	Parameter	Conditions	Min	Typ	Max	Unit
Ftx	Transmit output frequency range		5.15		5.925	GHz
Pout	Output power	See Note <sup>3</sup>				dBm
	11a mask compliant	6-36Mbps		18		
	11a EVM compliant	48-54Mbps		16		
	11n HT20 mask compliant	MCS0-5/MCS8-13		18		
	11n HT20 EVM compliant	MCS6-7/MCS14-15		16		
	11n HT40 mask compliant	MCS0-5/MCS8-13		16		
	11n HT40 EVM compliant	MCS6-7/MCS14-15		16		
	11ac HT20 mask compliant	MCS0-6 (Ntst=1,2)		18		
	11ac HT20 EVM compliant	MCS7-8(Ntst=1,2)		16		
	11ac HT40 mask compliant	MCS0-5 (Ntst=1,2)		16		
	11ac HT40 EVM compliant	MCS6-9(Ntst=1,2)		14		
	11ac HT80 mask compliant	MCS0-5 (Ntst=1,2)		14		

Symbol	Parameter	Conditions	Min	Typ	Max	Unit
	11ac HT80 EVM compliant	MCS6-8(Ntst=1,2)		12		
	11ac HT80 EVM compliant	MCS9(Ntst=1,2)		10		
ATx	Transmit power accuracy at 25 °C	-	-	+ 2.0		dB

Freq.	Mode/Rate [Mbps]	Output Power Per Chain [dBm]	Max. Current Consumption	
			Single Chain (mA) <sup>8</sup>	Dual Chains (mA) <sup>8</sup>
5180 MHz	6 Mbps	18 dBm	400	710
	54 Mbps	16 dBm	330	610
	HT20 MCS0	18 dBm	400	720
	HT20 MCS7	16 dBm	360	620
5190 MHz	HT40 MCS7	14 dBm	320	550
5500 MHz	6 Mbps	18 dBm	380	680
	54 Mbps	16 dBm	330	600
	HT20 MCS0	18 dBm	370	690
	HT20 MCS7	16 dBm	320	600
5510 MHz	HT40 MCS7	14 dBm	300	530
5825 MHz	6 Mbps	18 dBm	380	690
	54 Mbps	16 dBm	310	600
	HT20 MCS0	18 dBm	360	710
	HT20 MCS7	16 dBm	340	550
5795 MHz	HT40 MCS7	14 dBm	300	530

<sup>7</sup>Performance data are measured under **single** chain operation.

**Note:** Final TX power values on each channel are limited by the regulatory certification test limit.

## 9 BLUETOOTH RADIO CHARACTERISTICS

Table 12 through Table 15 describe the basic rate transmitter performance, enhanced data transmitter performance, basic rate receiver performance, enhanced rate receiver performance, and current consumption conditions at 25°C.

**Table 12: Basic rate transmitter performance temperature at 25°C (1.8V)**

Test Parameter	Min	Typ	Max	BT Spec.	Unit
Maximum RF Output Power	8	10	11	0 ~ +20	dBm
Frequency Range	2.4	—	2.4835	$2.4 \leq f \leq 2.4835$	GHz
20 dB Bandwidth	—	919.5	—	$\leq 1000$	KHz
$\Delta f_{1avg}$ Maximum Modulation	140	165	175	$140 < \Delta f_{1avg} < 175$	KHz
$\Delta f_{2max}$ Minimum Modulation	—	135	—	$\geq 115$	KHz
$\Delta f_{2avg}/\Delta f_{1avg}$	—	0.9	—	$\geq 0.80$	—
Initial Carrier Frequency	—	+/-5	—	$\leq \pm 75$	KHz
Drift Rate (DH1 package)	—	4	—	$\leq 20$	KHz/50 $\mu$ s
Drift (DH3 packet)	—	8	—	$\leq 25$	KHz
Drift (DH5 packet)	—	7	—	$\leq 40$	KHz
Adjacent Channel Power	$F \geq \pm 3\text{MHz}$	—	-50	$< -40$	dBm
	$F = \pm 2\text{MHz}$	—	-46	$\leq -20$	dBm
	$F = \pm 1\text{MHz}$	—	-15	N/A	dBm

**Table 13: Enhanced data rate transmitter performance 25°C (1.8V)**

Test Parameter	Min	Typ	Max	BT Spec.	Unit
Relative Transmit Power	5	7	9		dBm
Max Carrier Frequency Stability  wo	2-DH5	—	1	$\leq \pm 10$	KHz
	3-DH5	—	1		
Max Carrier Frequency Stability  wi	2-DH5	—	4	$\leq \pm 75$	KHz
	3-DH5	—	4		
Max Carrier Frequency Stability  w0+wi	2-DH5	—	5	$\leq \pm 75$	KHz
	3-DH5	—	5		
RMS DEVM	2-DH5	—	4	$\leq 20$	%
	3-DH5	—	4	$\leq 13$	%
Peak DEVM	2-DH5	—	9	$\leq 35$	%
	3-DH5	—	9	$\leq 25$	%
99% DEVM	2-DH5	—	12	$\leq 30$	%
	3-DH5	—	12	$\leq 20$	%
EDR Differential Phase Encoding	—	99	—	$\geq 99$	%
Adjacent Channel Power	$F \geq \pm 3\text{MHz}$	—	TBD	$< -40$	dBm
	$F = \pm 2\text{MHz}$	—	TBD	$\leq -20$	dBm

**Table 14: Basic rate receiver performance at 1.8V**

Test Parameter		Min	Typ	Max	BT Spec.	Unit
Sensitivity (1DH5)	BER ≤ 0.1%	—	-95	-92	≤ -70	dBm
Maximum Input	BER ≤ 0.1%	-20	-10	—	≥ -20	dBm
	Co-Channel	—	10	11	11	
Carrier-to-Interferer Ratio (C/I)	C/I (± 1 MHz)	—	-4	0	0	dB
	C/I (± 2 MHz)	—	-45	—	-30	dB
	C/I (± 3 MHz)	—	-49	—	-40	dB
Maximum Level of Intermodulation Interferers		-39	-30	-	≥ -39	dBm

**Table 15: Enhanced data rate receiver performance 1.8V**

Test Parameter		Min	Typ	Max	Bluetooth Specification	Unit
Sensitivity (BER ≤ 0.01%)	π/4 DQPSK	—	-94	-91	≤ -70	dBm
	8 DPSK	—	-88	-85	≤ -70	dBm
Maximum Input (BER ≤ 0.1%)	π/4 DQPSK	-20	—	—	≥ -20	dBm
	8 DPSK	-20	—	—	≥ -20	dBm
Co-Channel C/I (BER ≤ 0.1%)	π/4 DQPSK	—	10	13	≤ ±13	dB
	8 DPSK	—	16	20	≤ ±20	dB
Adjacent Channel C/I (1 MHz)	π/4 DQPSK	—	-9	0	≤ 0	dB
	8 DPSK	—	-6	5	≤ 5	dB
Second Adjacent Channel C/I (2 MHz)	π/4 DQPSK	—	-47	-30	≤ -30	dB
	8 DPSK	—	-42	-25	≤ -25	dB
Third Adjacent Channel C/I (3 MHz)	π/4 DQPSK	—	-51	-40	≤ -40	dB
	8 DPSK	—	-48	-33	≤ -33	dB
Out-of-band blocking	30-2000MHz	—	-12.5	—	—	dBm
	2-2.399GHz	—	-12.4	—	—	dBm
	2.484-3GHz	—	-18	—	—	dBm
	3-12.75GHz	—	-2.6	—	—	dBm

## 10 SDIO TIMING REQUIREMENTS

The ST60-2230C/ST60-2230C-SS SDIO host interface pins are powered from the VIO\_SD voltage supply. The SDIO electrical specifications are identical for the 1-bit SDIO and 4-bit SDIO modes.

### 10.1 SDR12, SDR25, SDR50 Mode (up to 100MHz) (1.8V)

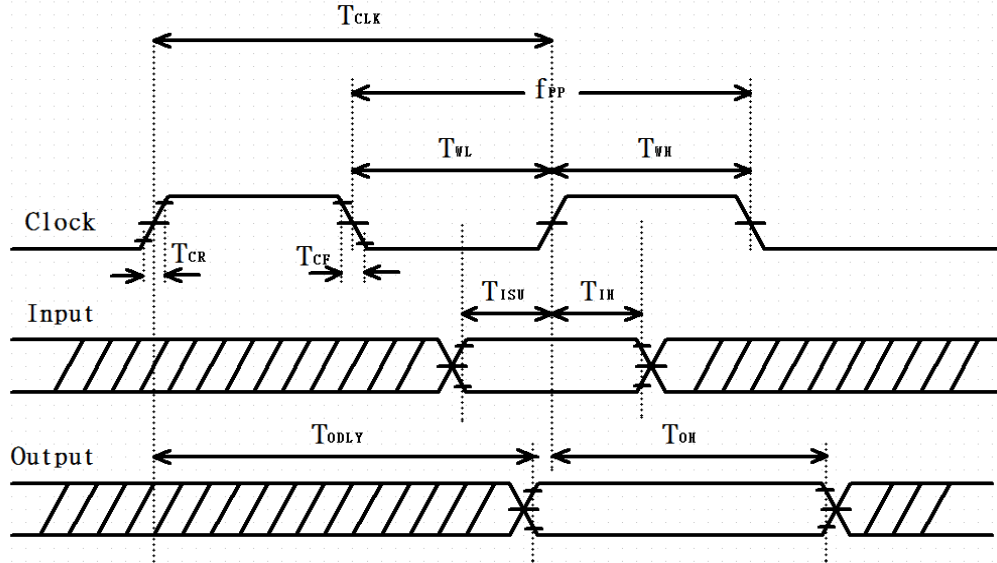


Figure 2:SDIO protocol timing Diagram--- SDR12, SDR25, SDR50 modes (up to 100 MHz) (1.8V)

Table 16: SDIO timing requirements--- SDR12, SDR25, SDR50 modes (up to 100 MHz) (1.8V)

**Note:** Over full range of values specified in the Recommended Operating Conditions unless otherwise specified.

Symbol	Parameter	Condition	Min.	Typ.	Max.	Unit
f <sub>PP</sub>	Clock Frequency	SDR12/25/50	25	-	100	MHz
T <sub>ISU</sub>	Input setup time	SDR12/25/50	3	--	-	ns
T <sub>IH</sub>	Input Hold time	SDR12/25/50	0.8	-	-	ns
T <sub>CLK</sub>	Clock Time	SDR12/25/50	10	-	40	ns
T <sub>CR</sub> ,T <sub>CF</sub>	Raise time, Fall time TCR,TCF <2ns (max) at 100 MHz CCARD=10pF	SDR12/25/50	-	-	0.2*T <sub>CLK</sub>	ns
T <sub>ODLY</sub>	Output delay time CL≤30pF	SDR12/25/50	-	-	7.5	ns
T <sub>OH</sub>	Output hold time CL=15pF	SDR12/25/50	1.5	-	-	ns

## 10.2 SDR104 Mode (208 MHz) (1.8V)

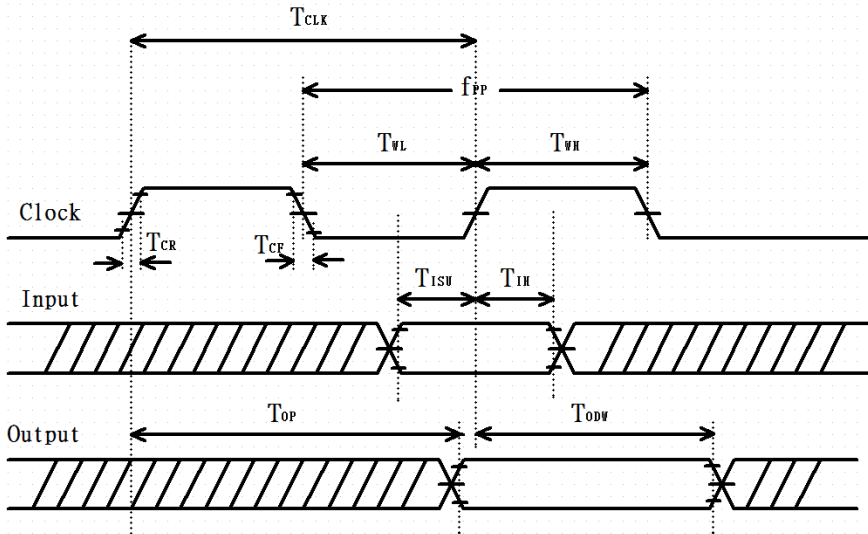


Figure 3: SDIO protocol timing Diagram--- SDR104 modes (up to 208 MHz) (1.8V)

Table 17: SDIO timing requirements--- SDR104 modes (up to 208MHz) (1.8V)

**Note:** Over full range of values specified in the Recommended Operating Conditions unless otherwise specified.

Symbol	Parameter	Condition	Min.	Typ.	Max.	Unit
fPP	Clock Frequency	SDR104	0	-	208	MHz
TISU	Input setup time	SDR104	1.4	--	-	ns
TIH	Input Hold time	SDR104	0.8	-	-	ns
TCLK	Clock Time	SDR104	4.8	-	-	ns
TCR,TCF	Raise time, Fall time TCR,TCF <0.96ns (max) at 208 MHz CCARD=10 pF	SDR104	-	-	0.2*TCLK	ns
TOP	Card Output phase	SDR104	0	-	10	ns
TODW	Output timing pf variable data window	SDR12/25/50	2.88	-	-	ns

### 10.3 DDR50 Mode (50 MHz) (1.8V)

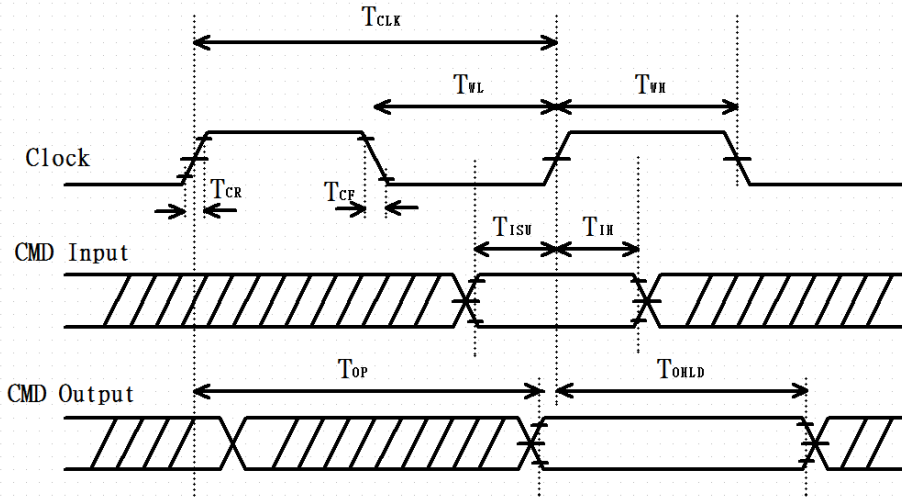


Figure 4: SDIO CMD timing Diagram--- DDR50 modes (50 MHz) (1.8V)

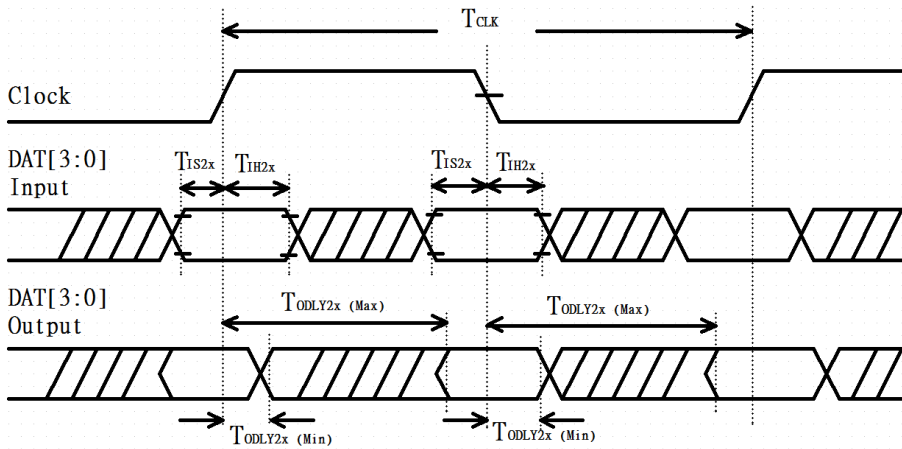


Figure 5: SDIO DAT[3:0] timing Diagram--- DDR50 modes (50 MHz) (1.8V)

**Note:** In DDR50 mode, DAT[3:0] lines are samples on both edges pF the clock (not applicable for CMD line)

Table 18: SDIO timing requirements--- DDR50 modes (50MHz)

Symbol	Parameter	Condition	Min.	Typ.	Max.	Unit
Clock						
TCLK	Clock time 50MHz (max) between rising edge	DDR50	20	--	--	ns
TCR, TCF	Rise time, fall time TCR, TCF <4.00ns (max) at 50MHz. CCARD=10pF	DDR50	--	--	0.2*TCLK	ns
Clock Duty	--	DDR50	45	--	55	%
CMD Input (referenced to clock rising edge)						

Symbol	Parameter	Condition	Min.	Typ.	Max.	Unit
TIS	Input setup time CCARD ≤ 10pF (1 card)	DDR50	6	--	--	ns
TIH	Input hold time CCARD ≤ 10pF (1 card)	DDR50	0.8	--	--	ns
CMD Output (referenced to clock rising and failing edge)						
TODLY	Output delay time during data transfer mode CL ≤ 30pF (1card)	DDR50	--	--	13.7	ns
TOHLD	Output hold time CL ≥ 15pF (1 card)	DDR50	1.5	--	--	ns
DAT[3:0] Input (referenced to clock rising and failing edges)						
TIS2X	Input setup time CCARD ≤ 10pF (1 card)	DDR50	3	--	--	ns
TIH2X	Input hold time CCARD ≤ 10pF (1 card)	DDR50	0.8	--	--	ns
DAT[3:0] Output (referenced to clock rising and failing edges)						
TODLY2X (max)	Output delay time during data transfer mode CL ≤ 25pF (1card)	DDR50	--	--	7.0	ns
TODLY2X (min)	Output hold time CL ≥ 15pF (1 card))	DDR50	1.5	--	--	ns

## 11 USB SPECIFICATIONS

### 11.1 USB LS Driver and Receiver Parameters

**Notes:** Over full range of values specified in the Recommended Operating Conditions unless otherwise specified.

The load is 100Ω differential for these parameters, unless other specified.

**Table 16: USB LS Driver and Receiver Specifications**

Symbol	Parameter	Min.	Typ.	Max.	Unit
BR	Baud rate	-	1.5	-	Mbps
BRPPM	Baud rate tolerance	-15000	-	15000	ppm
<b>Driver Specifications</b>					
VOH	Output signal ended high Defined with 1.425KΩ pull-up resistor to 3.6V	2.8	-	3.6	V
VOL	Output signal ended low Defined with 1.425KΩ pull-up resistor to ground	0.0	-	0.3	V
VCRS	Output signal crossover voltage	1.3		2.0	V
TLR	Data fall time	75.0	-	300.0	ns



Symbol	Parameter	Min.	Typ.	Max.	Unit
	Defined from 10% to 90% for raise time and 90% to 10% for fall time				
TLF	Data risel time Defined from 10% to 90% for raise time and 90% to 10% for fall time	75.0	-	300.0	ns
TLRFM	Rise and fall time matching	80.0	-	125.0	%
TUDJ1	Source jitter total: to next transition *Including frequency tolerance. Timing difference between the differential data signals. *Defined at crossover point of differential signals	-95	-	95	ns
TUDJ2	Source jitter total: for paired transitions *Including frequency tolerance. Timing difference between the differential data signals. *Defined at crossover point of differential signals	-150	-	150	ns
<b>Receiver Specifications</b>					
VIH	Input signal ended high	2.0	-	-	V
VIL	Input signal ended low	-	-	0.8	V
VDI	Differential input sensitivity	0.2	-	-	V

## 11.2 USB FS Driver and Receiver Parameters

**Notes:** Over full range of values specified in the Recommended Operating Conditions unless otherwise specified.

The load is 100Ω differential for these parameters, unless other specified.

**Table 17: USB FS Driver and Receiver Specifications**

Symbol	Parameter	Min.	Typ.	Max.	Unit
BR	Baud rate	-	12.0	-	Mbps
BRPPM	Baud rate tolerance	-2500	-	2500	ppm
<b>Driver Specifications</b>					
VOH	Output signal ended high Defined with 1.425KΩ pull-up resistor to 3.6V	2.8	-	3.6	V
VOL	Output signal ended low Defined with 1.425KΩ pull-up resistor to ground	0.0	-	0.3	V
VCRS	Output signal crossover voltage	1.3	-	2.0	V
TFR	Output raise time Defined from 10% to 90% for raise time and 90% to 10% for fall time	-4.0	-	20.0	ns
TFL	Output fall time Defined from 10% to 90% for raise time and 90% to 10% for fall time	-4.0	-	20.0	ns
TDJ1	Source jitter total: to next transition *Including frequency tolerance. Timing difference between the differential data signals. *Defined at crossover point of differential signals	-3.5	-	3.5	ns
TDJ2	Source jitter total: for paired transitions *Including frequency tolerance. Timing difference between the differential data signals. *Defined at crossover point of differential signals	-4.0	-	4.0	ns
TFDEOP	Source jitter for differential transition to SE0 transition. Defined at crossover point of differential signals	-2.0	-	5.0	ns
<b>Receiver Specifications</b>					
VIH	Input signal ended high	2.0	-	-	V
VIL	Input signal ended low	-	-	0.8	V
VDI	Differential input sensitivity	0.2	-	-	V
TJR1	Receiver jitter: to next transition Defined at crossover point of differential data signals	-18.5	-	18.5	ns
TJR2	Receiver jitter: for paired transitions Defined at crossover point of differential data signals	-9.0	-	9.0	ns

### 11.3 USB HS Driver and Receiver Parameters

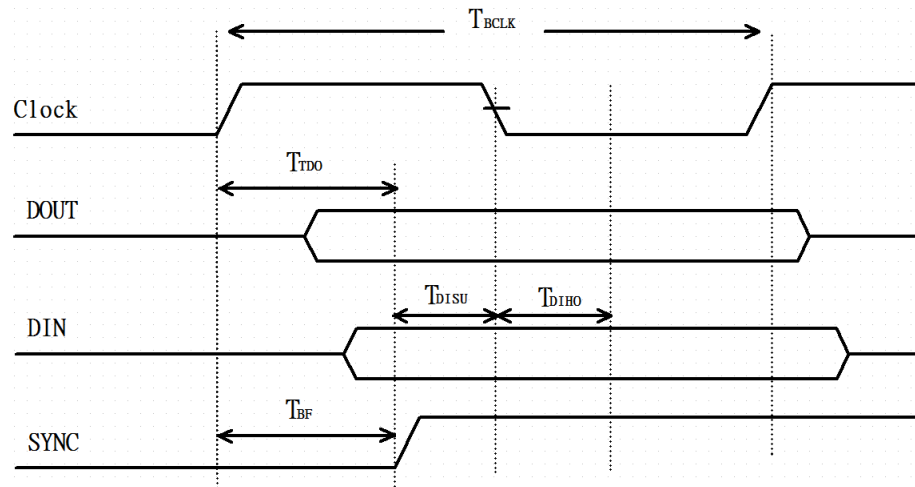
**Notes:** Over full range of values specified in the Recommended Operating Conditions unless otherwise specified.

The load is 100Ω differential for these parameters, unless other specified.

**Table 18: USB HS Driver and Receiver Specifications**

Symbol	Parameter	Min.	Typ.	Max.	Unit
BR	Baud rate	-	480	-	Mbps
BRPPM	Baud rate tolerance	-500	-	500	ppm
<b>Driver Specifications</b>					
VHSOH	Data signal high	360	-	440	mV
VHSOL	Data signal low	-10	-	10	mV
THSR	Data rise time	500	-	-	ns
	Defined from 10% to 90% for raise time and 90% to 10% for fall time				
THSF	Data fall time	-500	-	-	ns
	Defined from 10% to 90% for raise time and 90% to 10% for fall time				
<b>Receiver Specifications</b>					
VHSCM	Input signal ended low	-50	-	500	mV

## 12 PCM INTERFACE SPECIFICATIONS



**Figure 6: PCM Timing Specification – Master Mode**

**Table 19: PCM Timing Specification – Master Mode**

Symbol	Parameter	Min.	Typ.	Max.	Unit
FBCLK	-	-	2/2.048	-	MHz
Duty Cycle <sub>BCLK</sub>	-	0.4	0.5	0.6	-
T <sub>BCLK</sub> rise/fall	-	-	3	-	ns

Symbol	Parameter	Min.	Typ.	Max.	Unit
TDO	-	-	-	15	ns
TDISU	-	20	-	-	ns
TDIHO	-	15	-	-	ns
TBF	-	-	-	15	ns

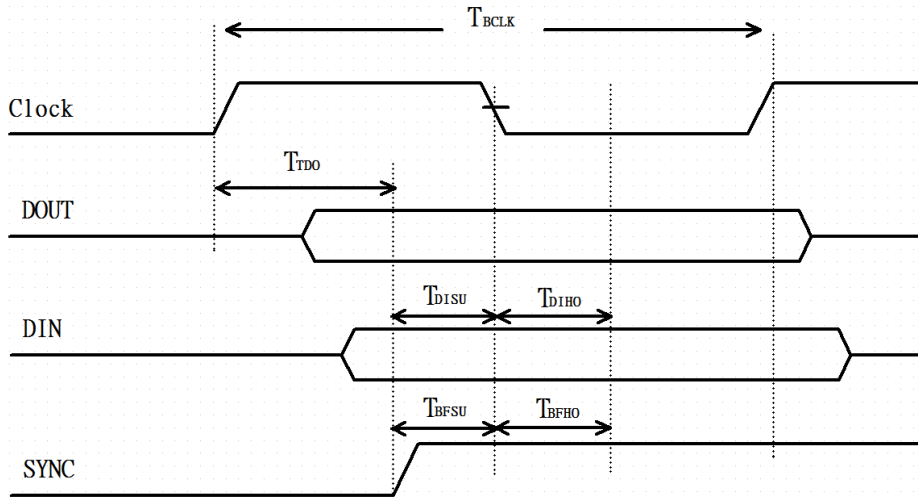


Figure 7: PCM Timing Specification – Slave Mode

Table 20: PCM Timing Specification – Slave Mode

Symbol	Parameter	Min.	Typ.	Max.	Unit
FBCLK	-	-	2/2.048	-	MHz
Duty Cycle <sub>BCLK</sub>	-	0.4	0.5	0.6	-
T <sub>BCLK</sub> rise/fall	-	-	3	-	ns
TDO	-	-	-	30	ns
TDISU	-	15	-	-	ns
TDIHO	-	10	-	-	ns
TBFSU	-	15	-	-	ns
TBFHO	-	10	-	-	ns

## 13 PIN DEFINITIONS

Table 21: Pin definitions

Pin #	Name	Type	Voltage Ref.	Description	If Not Used
1	GND	-	-	Ground	GND
2	3.3V	Power	-	3.3V module power supply	-
3	USB_D+	I/O	3.3V	USB Differential Data-Positive	N/C
4	3.3V	Power	-	3.3V module power supply	-
5	USB_D-	I/O	3.3V	USB Differential Data-Negative	N/C
6	LED1#	O,PU	3.3V	LED indicator for WLAN with 10mA drive capability	N/C

Pin #	Name	Type	Voltage Ref.	Description	If Not Used
7	GND	-	-	Ground	GND
8	PCM_CLK	I/O	1.8V	PCM Clock Signal (Optimal) Optimal clock used for some codecs. Output if Master mode; Input if Slave mode.	N/C
9	SDIO CLK	I,PU	1.8V	SDIO 4-bit Mode Clock Input	N/C
10	PCM_SYNC	I/O	1.8V	PCM Sync Pulse Signal Output if Master mode; Input if Slave mode.	N/C
11	SDIO CMD	I/O	1.8V	SDIO 4-bit Mode Command/Response	N/C
12	PCM_OUT	O	1.8V	PCM Data	N/C
13	SDIO DATA0	I/O,PU	1.8V	SDIO 4-bit Mode DATA line Bit[0]	N/C
14	PCM_IN	I	1.8V	PCM Data	N/C
15	SDIO DATA1	I/O,PU	1.8V	SDIO 4-bit Mode DATA line Bit[1]	N/C
16	LED2#	N/C	N/C	N/C	N/C
17	SDIO DATA2	I/O,PU	1.8V	SDIO 4-bit Mode DATA line Bit[2]	N/C
18	GND	-	-	Ground	GND
19	SDIO DATA3	I/O,PU	1.8V	SDIO 4-bit Mode DATA line Bit[3]	N/C
20	UART WAKE#	O	3.3V	Reserved for BT to wakeup Host	N/C
21	SDIO WAKE#	O	1.8V	Reserved for Wake-On-WLAN	N/C
22	UART TXD	O	1.8V	UART Serial Data Output	N/C
23	SDIO RESET#	N/C	N/C	N/C	N/C
32	UART RXD	I	1.8V	UART Serial Data Input	N/C
33	GND	-	-	Ground	GND
34	UART RTS	O,WPU	1.8V	UART Request To Send (Active low)	N/C
35	PERp0	N/C	1.8V	PCIe Receive Data-Positive	N/C
36	UART CTS	I, PU	1.8V	UART Clear To Send (Active low)	N/C
37	PERn0	N/C	1.8V	PCIe Receive Data-Negative	N/C
38	VENDOR DEFINED38	N/C	N/C	N/C	N/C
39	GND	-	-	Ground	GND
40	VENDOR DEFINED40	N/C	N/C	N/C	N/C
41	PETp0	N/C	1.8V	PCIe Transmit Data-Positive	N/C
42	VENDOR DEFINED42	N/C	N/C	N/C	N/C
43	PETn0	N/C	1.8V	PCIe Transmit Data-Negative	N/C
44	COEX3	I/O	1.8V	General purpose I/O pin.	N/C
45	GND	-	-	Ground	GND
46	COEX2	O,PD	1.8V	Serial data to external LTE device/	N/C
47	REFCLKp0	N/C	1.8V	PCIe Differential Clock input-Positive	N/C
48	COEX1	I,PD	1.8V	Serial data from external LTE device/	N/C

Pin #	Name	Type	Voltage Ref.	Description	If Not Used
49	REFCLKn0	N/C	1.8V	PCIe Differential Clock input-Negative	N/C
50	SUSCLK(32KHz)	I,PU	3.3V	Sleep Clock Input An external sleep clock of 32.768KHz with minimum +/- 250ppm is required for power saving mode	-
51	GND	-	-	Ground	GND
52	PERST0#	N/C	3.3V	PCIe host indication to reset the device (input) (active low)	N/C
53	CLKREQ0#	N/C	3.3V	PCIe clock request (input/output) (active low)	N/C
54	W_DISABLE2#	N/C	3.3V	N/C	N/C
55	PEWAKE0#	N/C	3.3V	PCIe wake signal (input/output) (active low)	N/C
56	W_DISABLE1# (0/3.3V)	I,PU	3.3V	Enable input for all Regulators inside the 60-SIPT. Note: This pin should be connected to a system GPIO to allow the module to be reset under software control.	N/C
57	GND	-	-	Ground	GND
58	I2C DATA (I/O)(0/3.3V)	N/C	N/C	N/C	N/C
59	RESERVED/PETp1	N/C	N/C	N/C	N/C
60	I2C CLK (0/3.3V)	I	N/C	N/C	N/C
61	RESERVED/PETn1	N/C	N/C	N/C	N/C
62	ALERT# (0/3.3V)	O	3.3V	N/C	N/C
63	GND	-	-	Ground	GND
64	RESERVED	N/C	N/C	N/C	N/C
65	RESERVED/PERp1	N/C	N/C	N/C	N/C
66	UIM_SWP/PERST1 #	N/C	N/C	N/C	N/C
67	RESERVED/PERn1	N/C	N/C	N/C	N/C
68	UIM_POWER_SNK /CLKREQ1#	N/C	N/C	N/C	N/C
69	GND	-	-	Ground	GND
70	UIM_POWER_SRC /GPIO1/PEWAKE1#	N/C	N/C	N/C	N/C
71	RESERVED/REFC LKp1	N/C	N/C	N/C	N/C
72	3.3V	Power	-	3.3V module power supply	-
73	RESERVED/REFC LKn1	N/C	N/C	N/C	N/C
74	3.3V	Power	-	3.3V module power supply	-
75	GND	-	-	Ground	GND

## 14 MECHANICAL SPECIFICATIONS

Module dimensions of ST60-2230C/ST60-2230C-SS/ST60-2230C-U/ST60-2230C-UU are 22 mm x 30 mm x 3.3 mm. Detail drawings are shown in Figure 8.

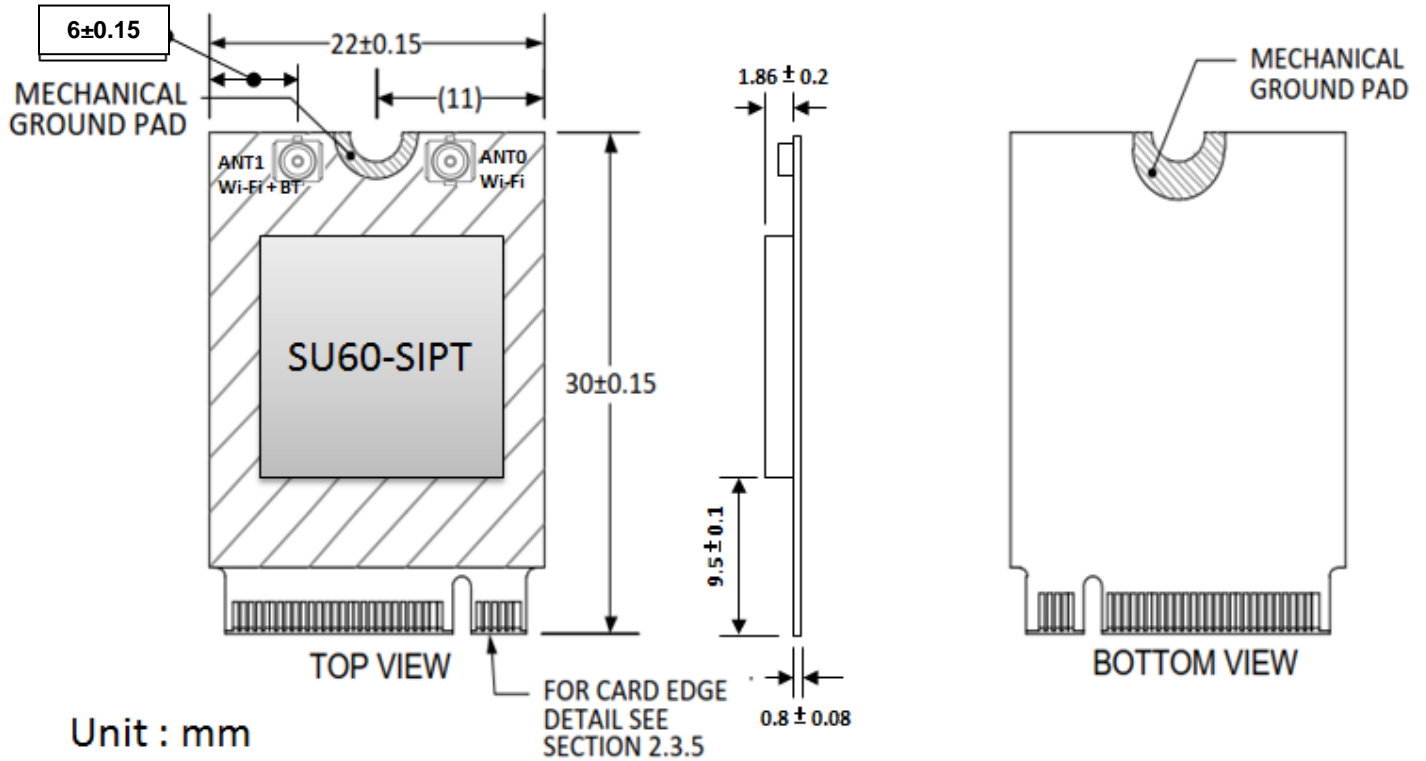


Figure 8: Module dimension of ST60-2230C/ST60-2230C-SS/ST60-2230C-U/ST60-2230C-UU

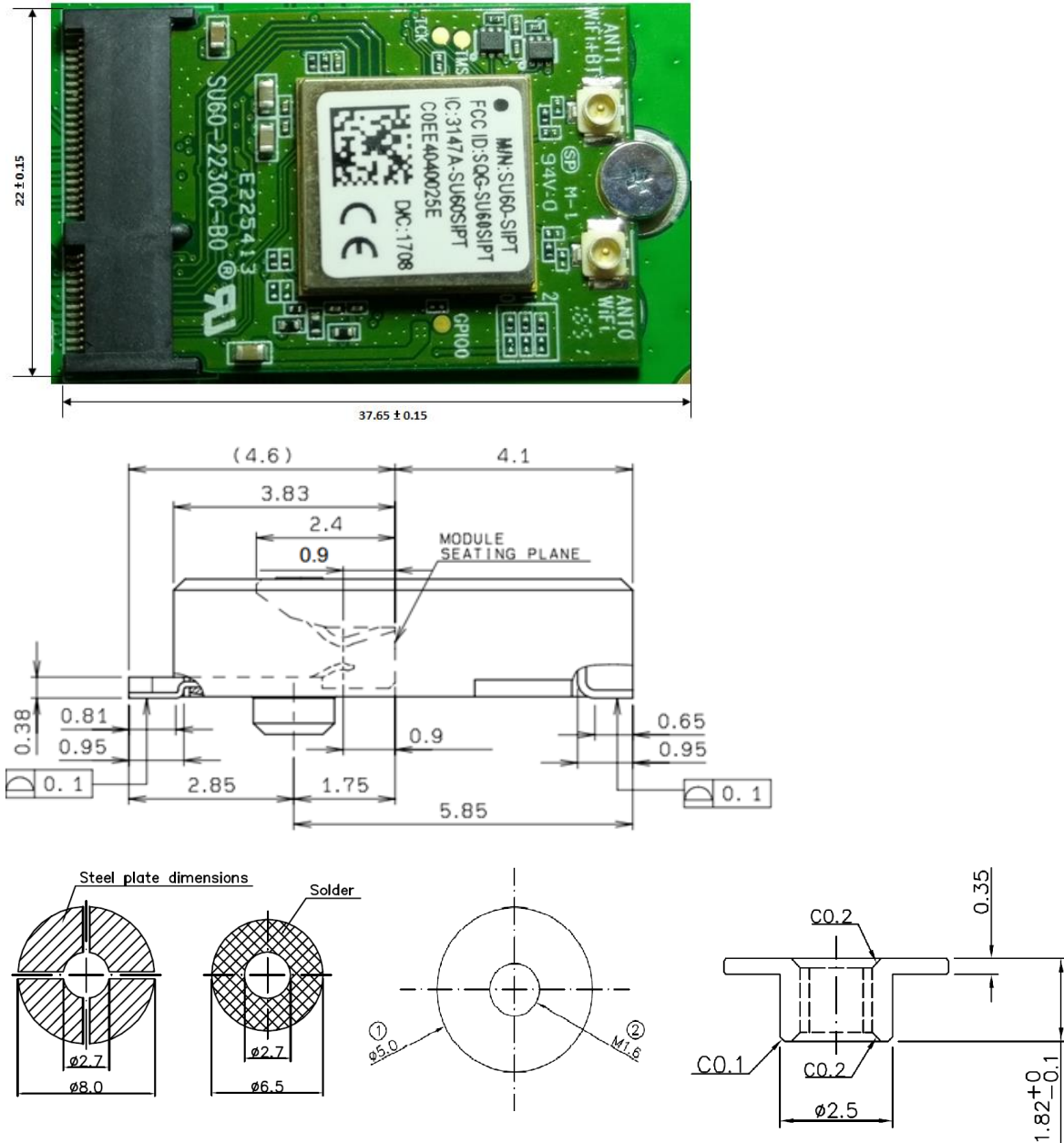
- Note:**
- The Wi-Fi MAC address is located on the product label.
  - The last digit of Wi-Fi MAC address is assigned to either 0, 4, 8 or C.
  - The BT MAC address is the Wi-Fi MAC address plus 3.

## 15 MOUNTING

The ST60-2230C/ST60-2230C-SS/ST60-2230C-U/ST60-2230C-UU connects to the host via a standard PCI EXPRESS M2 connector. The Kyocera's ([www.Kyocera-connector.com](http://www.Kyocera-connector.com)) 6411 series provide 1.8 mm, 2.3 mm and 3.2 mm connector heights.

Because the ST60-2230C/ST60-2230C-SS/ST60-2230C-U/ST60-2230C-UU is a single-side component module, we recommend the following part number (which has a 2.3 mm connector height): **24-6411-067-101-894E**

The stand-off mating to the recommend 2.3 mm connector from EMI STOP ([www.EMISTOP.com](http://www.EMISTOP.com)) is part number **F50M16-041525P1D4M**. Detail layout and stencil opening are show in [Figure 9](#).



**Figure 9: Mounting information of the ST60-2230C/ST60-2230C-SS/ST60-2230C-U/ST60-2230C-UU and recommended layout pattern for the stand-off**



## 16 RF LAYOUT DESIGN GUIDELINES / PRECAUTIONS

The following is a list of RF layout design guidelines and recommendation when installing a Laird Connectivity radio into your device.

- Do not run antenna cables directly above or directly below the radio.
- Do not place any parts or run any high speed digital lines below the radio.
- If there are other radios or transmitters located on the device (such as a *Bluetooth* radio), place the devices as far apart from each other as possible. Also, make sure there is at least 25 dB isolation between the Bluetooth antenna and the Wi-Fi antenna.
- Ensure that there is the maximum allowable spacing separating the antenna connectors on the Laird Connectivity radio from the antenna. In addition, do not place antennas directly above or directly below the radio.
- Laird Connectivity recommends the use of a double-shielded cable for the connection between the radio and the antenna elements.
- Be sure to put the capacitor on the power pin as close as possible to reduce the radiation issue.
- Use proper electro-static-discharge (ESD) procedures when installing the Laird Connectivity radio module.
- To get maximum throughput when operate at MIMO 2x2, two antennas with at least 25 dB isolation are recommended.
- To avoid negatively impacting Tx power and receiver sensitivity, do not cover the antennas with metallic objects or components.
- Opening/handing/removing must be done on an anti-ESD treated workbench. All workers must be also have undergone anti-ESD treatment.
- The devices should be mounted within one year of the date of delivery.

## 17 REGULATORY

### 17.1 Regulatory IDs Summary

Model	US/FCC	Canada/IC	Korea	China
ST60-2230C	SQG-60SIPT	3147A-602230C	MSIP-CRM-LAI-60-SIPT	2017AJ7897 (M)

### 17.2 Certified Antennas

Model	Type	Connector	2400-2483.5	5150-5250	5250-5350	5470-5725	5725-5850
Laird Connectivity/NanoBlade-IP04	PCB Dipole	IPEX U.FL	2.0	3.9	3.9	4.0	4.0
Laird Connectivity/MAF95310 Mini NanoBlade Flex	PCB Dipole	IPEX U.FL	2.79	3.38	3.38	3.38	3.38
Ethertronic/WLAN_1000146	Magnetic Dipole	IPEX U.FL	2.5	3.5	3.5	3.5	3.5
LSR/FlexPIFA 001-0016	PIFA	IPEX U.FL	2.5	3.0	3.0	3.0	3.0
Laird Connectivity MIMO FlexPIFA	PIFA	IPEX U.FL	2.0	3.0	3.0	3.0	3.0
LSR/001-0009	Dipole	IPEX U.FL	2.0	2.0	2.0	2.0	2.0

## 18 FCC AND IC REGULATORY

Model	US/FCC	CANADA/IC
ST60-2230C	SQG-60SIPT	3147A-602230C

The ST60-2230C has been designed to pass certification with the antenna listed below. The required antenna impedance is 50 ohms.

**Table 22: FCC antenna information**

Model	Type	Connector	Peak gain ( dBi )				
			2400~2483.5 MHz	5150~5250M Hz	5250~5350M Hz	5470~5725 MHz	5725~5850M Hz
Laird Connectivity/NanoBlade-IP0	PCB Dipole	IPEX U.FL	2.0 dBi	3.9 dBi	3.9 dBi	4.0dBi	
Laird Connectivity/MAF95310 Min NanoBlade Flex	PCB Dipole	IPEX U.FL	2.79 dB	3.38 dBi			
Ethertronic/WLAN_1000146	Magnetic Dipole	IPEX U.FL	2.5 dBi	3.5 dBi			
LSR/FlexPIFA 001-0016	PIFA	IPEX U.FL	2.5dBi	3.0 dBi			
LSR/001-0009	Dipole	IPEX U.FL	2.0dBi	2.0 dBi			

### 18.1 FCC

#### Federal Communication Commission Interference Statement

This equipment has been tested and found to comply with the limits for a Class B digital device, pursuant to Part 15 of the FCC Rules. These limits are designed to provide reasonable protection against harmful interference in a residential installation. This equipment generates, uses and can radiate radio frequency energy and, if not installed and used in accordance with the instructions, may cause harmful interference to radio communications. However, there is no guarantee that interference will not occur in a particular installation. If this equipment does cause harmful interference to radio or television reception, which can be determined by turning the equipment off and on, the user is encouraged to try to correct the interference by one of the following measures:

- Reorient or relocate the receiving antenna.
- Increase the separation between the equipment and receiver.
- Connect the equipment into an outlet on a circuit different from that to which the receiver is connected.
- Consult the dealer or an experienced radio/TV technician for help.

#### FCC Caution

Any changes or modifications not expressly approved by the party responsible for compliance could void the user's authority to operate this equipment.

This device complies with Part 15 of the FCC Rules. Operation is subject to the following two conditions: (1) This device may not cause harmful interference, and (2) this device must accept any interference received, including interference that may cause undesired operation.

#### Important Note

##### Radiation Exposure Statement

This equipment complies with FCC radiation exposure limits set forth for an uncontrolled environment. This equipment should be installed and operated with minimum distance 20cm between the radiator and your body.

This transmitter must not be co-located or operating in conjunction with any other antenna or transmitter.

Country Code selection feature to be disabled for products marketed to the US/Canada.

**This device is intended only for OEM integrators under the following conditions:**

1. The antenna must be installed such that 20 cm is maintained between the antenna and users, and
2. The transmitter module may not be co-located with any other transmitter or antenna,
3. For all products market in US, OEM has to limit the operation channels in CH1 to CH11 for 2.4G band by supplied firmware programming tool. OEM shall not supply any tool or info to the end-user regarding to Regulatory Domain change.

As long as the three conditions above are met, further **transmitter** testing will not be required. However, the OEM integrator is still responsible for testing their end-product for any additional compliance requirements required with this module installed.

### Important Note

In the event that these conditions **cannot be met** (for example certain laptop configurations or co-location with another transmitter), then the FCC authorization is no longer considered valid and the FCC ID **cannot** be used on the final product. In these circumstances, the OEM integrator will be responsible for re-evaluating the end product (including the transmitter) and obtaining a separate FCC authorization.

### End Product Labeling

This transmitter module is authorized only for use in device where the antenna may be installed such that 20 cm may be maintained between the antenna and users. The final end product must be labeled in a visible area with the following:

**Contains FCC ID: SQG-60SIPT .**

### Manual Information to the End User

The OEM integrator has to be aware not to provide information to the end user regarding how to install or remove this RF module in the user's manual of the end product which integrates this module.

The end user manual shall include all required regulatory information/warning as show in this manual.

## 18.2 Industry Canada

### Industry Canada Statement

This device complies with Industry Canada's license-exempt RSSs. Operation is subject to the following two conditions:

- This device may not cause interference; and
- This device must accept any interference, including interference that may cause undesired operation of the device.

*Le présent appareil est conforme aux CNR d'Industrie Canada applicables aux appareils radio exempts de licence. L'exploitation est autorisée aux deux conditions suivantes:*

- l'appareil ne doit pas produire de brouillage;
- l'utilisateur de l'appareil doit accepter tout brouillage radioélectrique subi, même si le brouillage est susceptible d'en compromettre le fonctionnement.

*This radio transmitter (IC: 3147A-602230C) has been approved by Industry Canada to operate with the antenna types listed below with the maximum permissible gain indicated. Antenna types not included in this list, having a gain greater than the maximum gain indicated for that type, are strictly prohibited for use with this device.*

*Le présent émetteur radio (IC: 3147A-602230C) a été approuvé par Industrie Canada pour fonctionner avec les types d'antenne énumérés ci-dessous et ayant un gain admissible maximal. Les types d'antenne non inclus dans cette liste, et dont le gain est supérieur au gain maximal indiqué, sont strictement interdits pour l'exploitation de l'émetteur.*

## Antenna Information

**Table 23: Antenna information**

Model	Type	Connector	Peak gain (dBi)				
			2400~2483.5 MHz	5150~5250M Hz	5250~5350M Hz	5470~5725 MHz	5725~5850 MHz
Laird Connectivity/NanoBlade-IP04	PCB Dipole	IPEX U.FL	2.0 dBi	3.9 dBi	3.9 dBi	4.0 dBi	
Laird Connectivity/MAF95310 Mini NanoBlade Flex	PCB Dipole	IPEX U.FL	2.79 dB	3.38 dBi			
Ethertronics/WLAN_1000146	Magnetic Dipole	IPEX U.FL	2.5 dBi	3.5 dBi			
LSR/FlexPIFA 001-0016	PIFA	IPEX U.FL	2.5 dBi	3.0 dBi			
LSR/001-0009	Dipole	IPEX U.FL	2.0 dBi	2.0 dBi			

### Caution:

(i) The device for operation in the band 5150–5250 MHz is only for indoor use to reduce the potential for harmful interference to co-channel mobile satellite systems;

(ii) For devices with detachable antenna(s), the maximum antenna gain permitted for devices in the bands 5250-5350 MHz and 5470-5725 MHz shall be such that the equipment still complies with EIRP limit;

(iii) For devices with detachable antenna(s), the maximum antenna gain permitted for devices in the band 5725-5850 MHz shall be such that the equipment still complies with the EIRP limits specified for point-to-point and non-point-to-point operation as appropriate; and

Operations in the 5.25-5.35GHz band are restricted to indoor usage only.

### Avertissement:

(i) les dispositifs fonctionnant dans la bande de 5150 à 5250MHz sont réservés uniquement pour une utilisation à l'intérieur afin de réduire les risques de brouillage préjudiciable aux systèmes de satellites mobiles utilisant les mêmes canaux;

(ii) pour les dispositifs munis d'antennes amovibles, le gain maximal d'antenne permis pour les dispositifs utilisant les bandes de 5250 à 5350MHz et de 5470 à 5725 MHz doit être conforme à la limite de la p.i.r.e.;

(iii) pour les dispositifs munis d'antennes amovibles, le gain maximal d'antenne permis (pour les dispositifs utilisant la bande de 5725 à 5850 MHz) doit être conforme à la limite de la p.i.r.e. spécifiée pour l'exploitation point à point et l'exploitation non point à point, selon le cas;

Les opérations dans la bande de 5.25-5.35GHz sont limités à un usage intérieur seulement.

## Radiation Exposure Statement

This equipment complies with Canada radiation exposure limits set forth for an uncontrolled environment. This equipment should be installed and operated with minimum distance 20cm between the radiator and your body.

## Déclaration d'exposition aux radiations

Cet équipement est conforme Canada limites d'exposition aux radiations dans un environnement non contrôlé. Cet équipement doit être installé et utilisé à distance minimum de 20cm entre le radiateur et votre corps.

### This device is intended only for OEM integrators under the following condition:

- The transmitter module may not be co-located with any other transmitter or antenna.

As long as the condition above is met, further transmitter test will not be required. However, the OEM integrator is still responsible for testing their end-product for any additional compliance requirements required with this module installed.

**Cet appareil est conçu uniquement pour les intégrateurs OEM dans les conditions suivantes:**

- Le module émetteur peut ne pas être coïmplanté avec un autre émetteur ou antenne.

Tant que les 1 condition ci-dessus sont remplies, des essais supplémentaires sur l'émetteur ne seront pas nécessaires. Toutefois, l'intégrateur OEM est toujours responsable des essais sur son produit final pour toutes exigences de conformité supplémentaires requis pour ce module installé.

## Important Note

In the event that these conditions cannot be met (for example certain laptop configurations or co-location with another transmitter), then the Canada authorization is no longer considered valid and the IC ID cannot be used on the final product. In these circumstances, the OEM integrator will be responsible for re-evaluating the end product (including the transmitter) and obtaining a separate Canada authorization.

## Note Important

Dans le cas où ces conditions ne peuvent être satisfaites (par exemple pour certaines configurations d'ordinateur portable ou de certaines co-localisation avec un autre émetteur), l'autorisation du Canada n'est plus considéré comme valide et l'ID IC ne peut pas être utilisé sur le produit final. Dans ces circonstances, l'intégrateur OEM sera chargé de réévaluer le produit final (y compris l'émetteur) et l'obtention d'une autorisation distincte au Canada.

## End Product Labeling

The final end product must be labeled in a visible area with the following: **Contains IC: 3147A-602230C.**

## laque signalétique du produit final

Le produit final doit être étiqueté dans un endroit visible avec l'inscription suivante: **Contient des IC: 3147A-602230C.**

## Manual Information to the End User

The OEM integrator has to be aware not to provide information to the end user regarding how to install or remove this RF module in the user's manual of the end product which integrates this module.

The end user manual shall include all required regulatory information/warning as show in this manual.

## Manuel d'information à l'utilisateur final

L'intégrateur OEM doit être conscient de ne pas fournir des informations à l'utilisateur final quant à la façon d'installer ou de supprimer ce module RF dans le manuel de l'utilisateur du produit final qui intègre ce module.

Le manuel de l'utilisateur final doit inclure toutes les informations réglementaires requises et avertissements comme indiqué dans ce manuel.


# 19 NCC

## 802.11b/802.11g/BT 警語：(低功率電波輻射性電機管理辦法(96-07-19))

- 第十二條→經型式認證合格之低功率射頻電機，非經許可，公司，商號或使用者均不得擅自變更頻率、加大功率或變更原設計之特性及功能。
- 第十四條→低功率射頻電機之使用不得影響飛航安全及干擾合法通信；經發現有干擾現象時，應立即停用，並改善至無干擾時方得繼續使用。

前項合法通信，指依電信法規定作業之無線電通信。低功率射頻電機須忍受合法通信或工業、科學及醫療用電波輻射性電機設備之干擾。

### 模組請加註

1. 本模組於取得認證後將依規定於模組本體標示審驗合格標籤
2. 系統廠商應於平台上標示「本產品內含射頻模組： CCAFXXLPXXXXTX)」字樣

## 20 EUROPEAN UNION REGULATORY

The ST60-2230C has been tested for compliance with relevant standards for the EU market. ST60-2230C module was tested with antennas listed below.

**Table 24: EU antenna information**

Model	Type	Connector	2400-2483.5	5150-5250	5250-5350	5470-5725	5725-5850
Laird Connectivity/NanoBlade-IP04	PCB Dipole	IPEX U.FL	2.0	3.9	3.9	4.0	4.0
Laird Connectivity/MAF95310 Mini NanoBlade Flex	PCB Dipole	IPEX U.FL	2.79	3.38	3.38	3.38	3.38
Ethertronic/WLAN_1000146	Magnetic Dipole	IPEX U.FL	2.5	3.5	3.5	3.5	3.5
LSR/FlexPIFA 001-0016	PIFA	IPEX U.FL	2.5	3.0	3.0	3.0	3.0
Laird Connectivity MIMO FlexPIFA	PIFA	IPEX U.FL	2.0	3.0	3.0	3.0	3.0
LSR/001-0009	Dipole	IPEX U.FL	2.0	2.0	2.0	2.0	2.0

The OEM should consult with a qualified test house before entering their device into an EU member country to make sure all regulatory requirements have been met for their complete device.

Reference the Declaration of Conformities listed below for a full list of the standards that the modules were tested to. Test reports are available upon request.

## 20.1 EU Declarations of Conformity

This device complies with the essential requirements of the Radio Equipment directive: 2014/53/EU. The following test methods have been applied to prove presumption of conformity with the essential requirements of the Radio Equipment directive **2014/53/EU**:

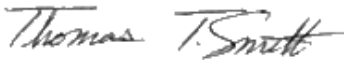
Manufacturer:	Laird Connectivity
Products:	ST60-2230C
EU Directives:	2014/53/EU – Radio Equipment Directive (RED)

### Reference standards used for presumption of conformity:

Article Number	Requirement	Reference standard(s)
	Low voltage equipment safety	EN 60950-1:2006+A11+A1:2010+A12:2011+A2 2013
3.1a	RF Exposure	EN 62311:2008 EN 50665:2017 EN 50385:2017
3.1b	Protection requirements with respect to electromagnetic compatibility	EN 301 489-1 v2.2.0 (2017-03) EN 301 489-17 v3.2.0 (2017-03)
3.2	Protection requirements – Electromagnetic compatibility	EN 300 328 v2.2.2 (2019-07) EN 301 893 v2.1.1 (2017-05)

### Declaration:

We, Laird Connectivity, declare under our sole responsibility that the essential radio test suites have been carried out and that the above product to which this declaration relates is in conformity with all the applicable essential requirements of Article 3 of the EU Radio Equipment directive 2014/53/EU, when used for its intended purpose.

Place of Issue:	Laird Connectivity W66N220 Commerce Court, Cedarburg, WI 53012 USA tel: +1-262-375-4400 fax: +1-262-364-2649
Date of Issue:	May 2017
Name of Authorized Person:	Thomas T Smith, Director of EMC Compliance
Signature of Authorized Person:	

### Maximum Output Power for Each Frequency


TBD	20.5 dBm, 5.15-5.25 GHz
	20.5 dBm, 5.25-5.35 GHz
	20.5 dBm, 5.47-5.725 GHz

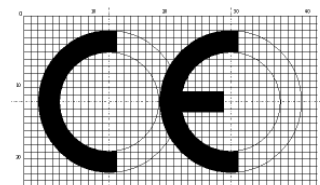
### Software Version for Testing

SW version: P95

The minimum distance between the user and/or any bystander and the radiating structure of the transmitter is 20 cm.

5150 ~ 5350 MHz is limited to indoor used in the following countries:

	BE	D	IE	FR	C	LU	NL	PT	S	U	NO
		K			Y				K	K	
	BG	D	E	H	LV	HU	AT	R	FI	LI	TR
	E	L	R				O				
	CZ	E	E	IT	LT	MT	PL	SI	S	IS	CH
		E	S						E		

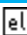



## 21 ORDERING INFORMATION

Part Number	Description
ST60-2230C	2X2 802.11 ac + BT5.1 SDIO/UART M.2 module
ST60-2230C-SS	2X2 802.11 ac + BT5.1 SDIO/SDIO M.2 module
ST60-2230C-U	2X2 802.11 ac + BT5.1 USB/UART M.2 module
ST60-2230C-UU	2X2 802.11 ac + BT5.1 USB/USB M.2 module

### 21.1 General Comments

This is a preliminary datasheet. Please check with Laird Connectivity for the latest information before commencing a design. If in doubt, ask.

 <b>Česky [Czech]</b>	<i>[Jméno výrobce]</i> tímto prohlašuje, že tento <i>[typ zařízení]</i> je ve shodě se základními požadavky a dalšími příslušnými ustanoveními směrnice 2014/53/EU.
 <b>Dansk [Danish]</b>	Undertegnede <i>[fabrikantens navn]</i> erklærer herved, at følgende udstyr <i>[udstyrets typebetegnelse]</i> overholder de væsentlige krav og øvrige relevante krav i direktiv 2014/53/EU.
 <b>Deutsch [German]</b>	Hiermit erkläre <i>[Name des Herstellers]</i> , dass sich das Gerät <i>[Gerätetyp]</i> in Übereinstimmung mit den grundlegenden Anforderungen und den übrigen einschlägigen Bestimmungen der Richtlinie 2014/53/EU befindet.
 <b>Eesti [Estonian]</b>	Käesolevaga kinnitab <i>[tootja nimi = name of manufacturer]</i> seadme <i>[seadme tüüp = type of equipment]</i> vastavust direktiivi 2014/53/EU põhinõuetele ja nimetatud direktiivist tulenevatele teistele asjakohastele sätetele.
 <b>English</b>	Hereby, <i>[name of manufacturer]</i> , declares that this <i>[type of equipment]</i> is in compliance with the essential requirements and other relevant provisions of Directive 2014/53/EU.
 <b>Español [Spanish]</b>	Por medio de la presente <i>[nombre del fabricante]</i> declara que el <i>[clase de equipo]</i> cumple con los requisitos esenciales y cualesquiera otras disposiciones aplicables o exigibles de la Directiva 2014/53/EU.
 <b>Ελληνική [Greek]</b>	ΜΕ ΤΗΝ ΠΑΡΟΥΣΑ <i>[name of manufacturer]</i> ΔΗΛΩΝΕΙ ΟΤΙ <i>[type of equipment]</i> ΣΥΜΜΟΡΦΩΝΕΤΑΙ ΠΡΟΣ ΤΙΣ ΟΥΣΙΩΔΕΙΣ ΑΠΑΙΤΗΣΕΙΣ ΚΑΙ ΤΙΣ ΛΟΙΠΕΣ ΣΧΕΤΙΚΕΣ ΔΙΑΤΑΞΕΙΣ ΤΗΣ ΟΔΗΓΙΑΣ 2014/53/EU.
 <b>Français [French]</b>	Par la présente <i>[nom du fabricant]</i> déclare que l'appareil <i>[type d'appareil]</i> est conforme aux exigences essentielles et aux autres dispositions pertinentes de la directive 2014/53/EU.
 <b>Italiano [Italian]</b>	Con la presente <i>[nome del costruttore]</i> dichiara che questo <i>[tipo di apparecchio]</i> è conforme ai requisiti essenziali ed alle altre disposizioni pertinenti stabilite dalla direttiva 2014/53/EU.
<b>Latviski [Latvian]</b>	Aršo <i>[name of manufacturer / izgatavotājanosaukums]</i> deklarē, ka <i>[type of equipment / iekārtas tips]</i> atbilst Direktīvas 2014/53/EU būtiskajām prasībām un citiemar to saistītajiem noteikumiem.
<b>Lietuvių [Lithuanian]</b>	Šiuo <i>[manufacturer name]</i> deklaruoja, kad šis <i>[equipment type]</i> atitinka esminius reikalavimus ir kitas 2014/53/EU Direktyvos nuostatas.
 <b>Nederlands [Dutch]</b>	Hierbij verklaart <i>[naam van de fabrikant]</i> dat het toestel <i>[type van toestel]</i> in overeenstemming is met de essentiële eisen en de andere relevante bepalingen van richtlijn 2014/53/EU.
 <b>Malti [Maltese]</b>	Hawnhekk, <i>[isem tal-manifattur]</i> , jiddikjara li dan <i>[il-mudel tal-prodott]</i> jikkonforma mal-ħtiġijiet essenzjali u ma provvedimenti oħrajn rilevanti li hemm fid-Direttiva 2014/53/EU.
 <b>Magyar [Hungarian]</b>	Alulírott, <i>[gyártó neve]</i> nyilatkozom, hogy a <i>[... típus]</i> megfelel a vonatkozó alapvető követelményeknek és az 2014/53/EU irányelv egyéb előírásainak.
 <b>Polski [Polish]</b>	Niniejszym <i>[nazwa producenta]</i> oświadczam, że <i>[nazwa wyrobu]</i> jest zgodny z zasadniczymi wymogami oraz pozostałymi stosownymi postanowieniami Dyrektywy 2014/53/EU.
 <b>Português</b>	<i>[Nome do fabricante]</i> declara que este <i>[tipo de equipamento]</i> está conforme com os requisitos essenciais e outras



<b>[Portuguese]</b>	disposições da Directiva 2014/53/EU.
<b>[Slovensko Slovenian]</b>	<i>[Ime proizvajalca]</i> izjavlja, da je ta <i>[tip opreme]</i> v skladu z bistvenimi zahtevami in ostalimi relevantnimi določili direktive 2014/53/EU.
<b>Slovensky [Slovak]</b>	<i>[Menovýrobcu]</i> týmto vyhlasuje, že <i>[typ zariadenia]</i> spĺňa základné požiadavky a všetky príslušné ustanovenia Smernice 2014/53/EU.
<b>[fi] Suomi [Finnish]</b>	<i>[Valmistaja = manufacturer]</i> vakuuttaa täten että <i>[type of equipment = laitteen tyyppimerkintä]</i> tyyppinen laite on direktiivin 2014/53/EU oleellisten vaatimusten ja sitä koskevien direktiivin muiden ehtojen mukainen.
<b>[sv] Svenska [Swedish]</b>	Härmed intygar <i>[företag]</i> att denna <i>[utrustningstyp]</i> står i överensstämmelse med de väsentliga egenskapskrav och övriga relevanta bestämmelser som framgår av direktiv 2014/53/EU.

© Copyright 2020 Laird Connectivity. All Rights Reserved. Any information furnished by Laird Connectivity and its agents is believed to be accurate and reliable. All specifications are subject to change without notice. Responsibility for the use and application of Laird Connectivity materials or products rests with the end user since Laird Connectivity and its agents cannot be aware of all potential uses. Laird Connectivity makes no warranties as to non-infringement nor as to the fitness, merchantability, or sustainability of any Laird Connectivity materials or products for any specific or general uses. Laird Connectivity or any of its affiliates or agents shall not be liable for incidental or consequential damages of any kind. All Laird Connectivity products are sold pursuant to the Laird Connectivity Terms and Conditions of Sale in effect from time to time, a copy of which will be furnished upon request. Nothing herein provides a license under any Laird Connectivity or any third-party intellectual property right.

# Mouser Electronics

Authorized Distributor

Click to View Pricing, Inventory, Delivery & Lifecycle Information:

[Laird Connectivity:](#)

[ST60-2230C](#) [ST60-2230C-UU](#) [ST60-2230C-U](#)