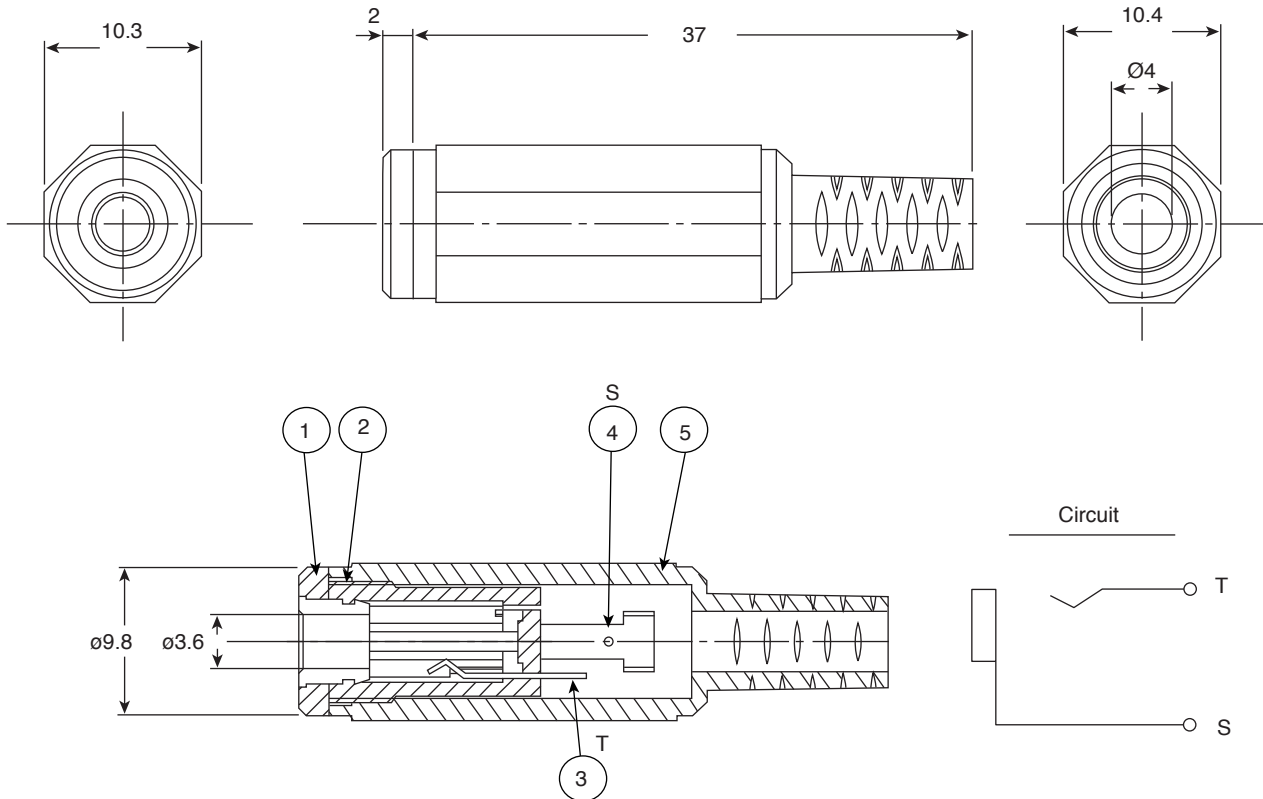


Jack

16PJ225N-EX



Jack



DIMENSIONS: mm

SPECIFICATIONS	
Dielectric Strength:	500V AC for 1 Min.
Contact Resistance:	50mΩ Max.
Insulation Resistance:	100mΩ Min. at 500V DC
RoHS Compliant by Exemption	

Pin Configurations	
Sleeve (1):	BSBM, Ni Finish
Housing (2):	PA
Contact A (3):	BSR t = 0.3, Ni Finish
Contact B (4):	PBS t = 0.25, Ni Finish
Cap (5):	PE

Date Last Revised: 09-12-16

Available from Mouser Electronics
1-800-346-6873 / www.mouser.com

KC-301445

16PJ225N-EX

Mouser Electronics

Authorized Distributor

Click to View Pricing, Inventory, Delivery & Lifecycle Information:

[Kobiconn:](#)

[16PJ225N-EX](#)