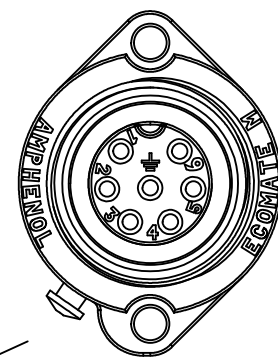


PART NUMBER	LENGTH (METERS)
CA0161F116003	0.3M (0.98 FEET)
CA0161F116005	0.5M (1.64 FEET)
CA0161F116010	1M (3.28 FEET)

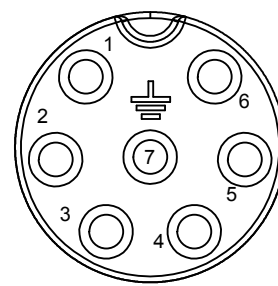
REVISIONS							
REV	ZONE	ECO	DESCRIPTION	DATE	BY	CHK	APPR
A1	-	-	TECHNICAL DATA SHEET RELEASE	14-JULY-2017	RO	-	-

CAN BE USED WITH MATING CABLE ASSEMBLY # CA0161A22603012 OR CABLE PLUG # C01610H00600012

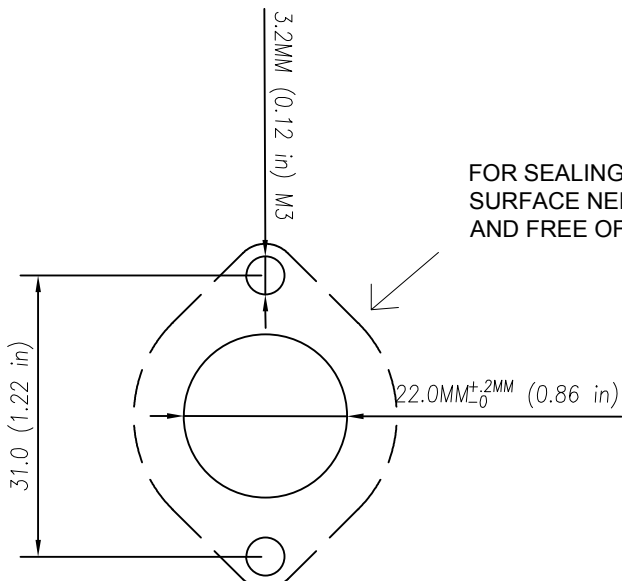


FEMALE RECEPTACLE

*PROTECTIVE COVER FASTENING STUD. COVER NOT INCLUDED, P/N: C01600V00000012



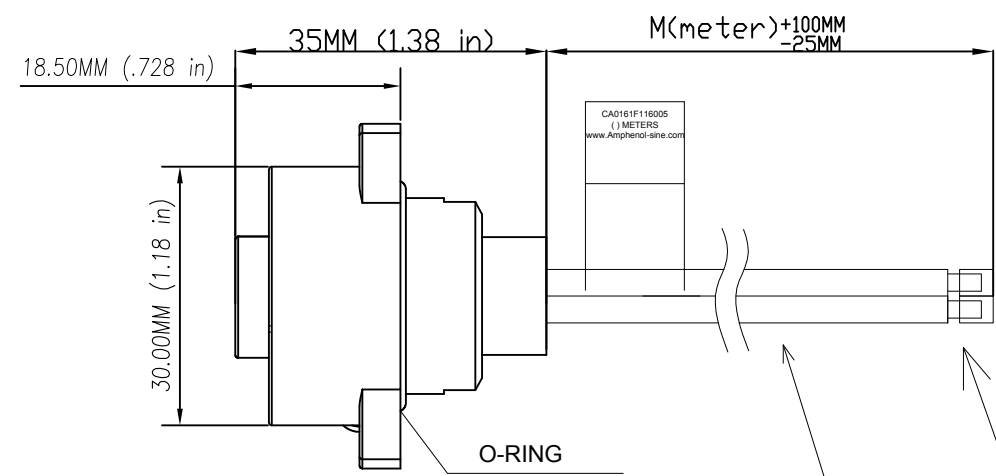
FACE VIEW



PANEL CUT OUT

FOR SEALING REASON, THIS SURFACE NEEDS TO BE LEVEL AND FREE OF BURRS

*MOUNTING HOLE Ø22 WITHOUT CHAMFER, SUITABLE SEALING FOR SCREWS IF NECESSARY. TIGHTENING TORQUE 0.8Nm

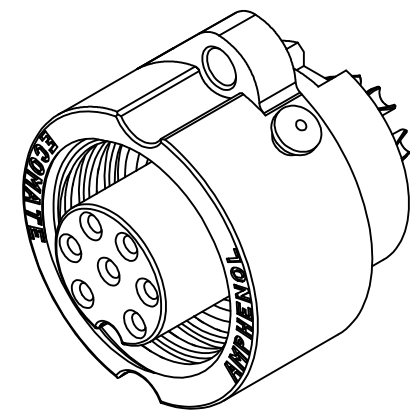


WIRING DIAGRAM

①	YELLOW (16 AWG)
②	BLUE (16 AWG)
③	RED (16 AWG)
④	BROWN (16 AWG)
⑤	BLACK (16 AWG)
⑥	WHITE (16 AWG)
⑦	GREEN/YELLOW (16 AWG)

WIRES SEMI-STRIP AT 12.7MM (1/2")

WIRE RATING: UL LISTED TYPE 1015, CSA CERTIFIED TYPE TEW, FT1 FLAME RATING, 105°C WIRE JACKET MATERIAL: PVC



3-D VIEW

TECHNICAL DATA:

- MATERIALS:**
RECEPTACLE HOUSING: NYLON PA 6.6
INSULATION INSERT: NYLON PA 6.6, UL 94/V-0
CONTACT: SILVER PLATED
NUMBER OF CONDUCTORS: (7) 16AWG
- ELECTRICAL DATA:**
CURRENT (MAX): 13A
VOLTAGE (MAX): 250V AC/DC
INSULATION RESISTANCE (MIN): 100M OHMS
RATED IMPULSE WITHSTAND VOLTAGE: 4000V
- MECHANICAL DATA:**
TEMPERATURE RANGE: -40°C TO +100°C
PROTECTION: IP68 (MATED CONDITION)
MATING CYCLES: >500
- RoHS COMPLIANT**

WARNING
Risk of Electrical Shock
Do Not Disconnect Under Load.
Risque de chocs electriques
Ne pas debrancher sous tension.

QUANTITY	PART NUMBER	DESCRIPTION	ITEM
MATERIALS LIST			
UNLESS OTHERWISE SPECIFIED		SIGNATURES DATE	
DRAWN: RO		6-JUNE-17	
CHECKED: AA		6-JUNE-17	
ENGINEER: MF		6-JUNE-17	
APPROVAL: WS		6-JUNE-17	
MATERIAL SPECIFICATIONS:		CUSTOMER:	
PROCESS SPECIFICATIONS:		THIS DRAWING IS SUPPLIED FOR INFORMATION ONLY. DESIGN FEATURES, SPECIFICATIONS AND PERFORMANCE DATA SHOWN HEREON ARE THE PROPERTY OF THE AMPHENOL CORPORATION. NO RIGHTS OF REPRODUCTION ARE IMPLIED. ALL DIMENSIONS ARE SUBJECT TO NORMAL MANUFACTURING VARIATIONS.	
NEXT ASSY:		SIZE: C-	DWG NO: CA0161F1160XX
		SCALE:	REVISION: A1
		CA0161F1160XX SHEET 1 OF 1	

A

B

C

D

TITLE

DATE

REV

SHEET

OF

1

Mouser Electronics

Authorized Distributor

Click to View Pricing, Inventory, Delivery & Lifecycle Information:

[Amphenol:](#)

[CA0161F116005](#)