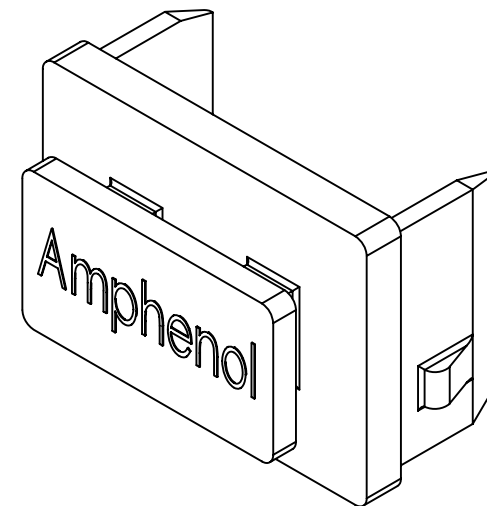
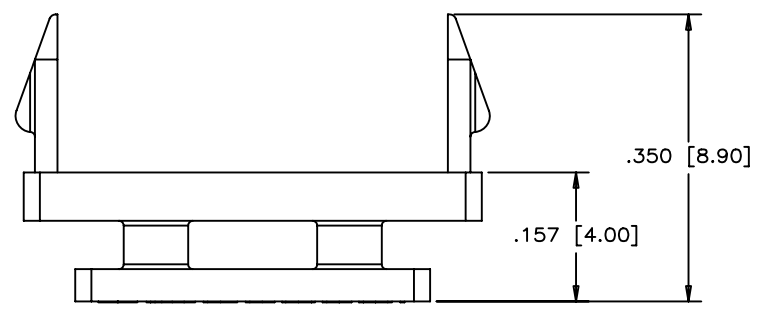
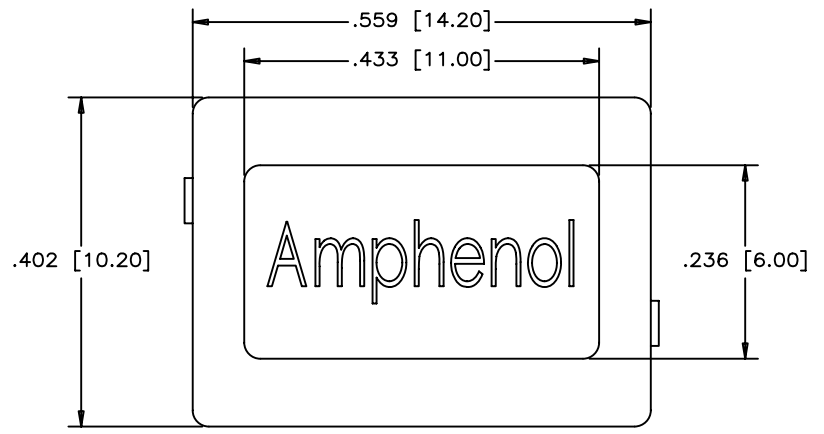


REVISIONS				
SYM	ZONE	ECN, ERN NO.	DATE	APPRD.
A		PROPOSAL	2006/01/12	
B		REVISED	JAN04/08	
C		UPDATED	JAN22/08	

THIS IS A CAD DRAWING. DO NOT MANUALLY REVISE.



ISOMETRIC VIEW



MATERIAL:  
THERMOPLASTIC, FLAMMABILITY UL 94 V-0,  
COLOR BLACK.

THIS DOCUMENT CONTAINS PROPRIETARY INFORMATION AND SUCH INFORMATION MAY NOT BE DISCLOSED TO OTHERS FOR ANY PURPOSE OR USED FOR MANUFACTURING PURPOSES WITHOUT WRITTEN PERMISSION FROM AMPHENOL CANADA CORP.

DRAWN	J.SI	DATE	2006/01/11	Amphenol Canada Corp.	
DESIGNED	J.SI	DATE	2006/01/11		
CHECKED					
I. E. APPRD.					
Q. A. APPRD.					
DWG. APPRD.				TITLE	DUST COVER SFP GAGE
ENG. REL. NO.				DWG	DRAWING NO.
REF.				A	P-U77-A1110-8000P
DIMENSIONS ARE IN		CODE ID. NO.	03554	SCALE	4:1
INCHES (mm)				WT.	
				SURF.	
				SHEET	1 OF 1

# Mouser Electronics

Authorized Distributor

Click to View Pricing, Inventory, Delivery & Lifecycle Information:

[Amphenol:](#)

[U77-A1110-8000P](#)