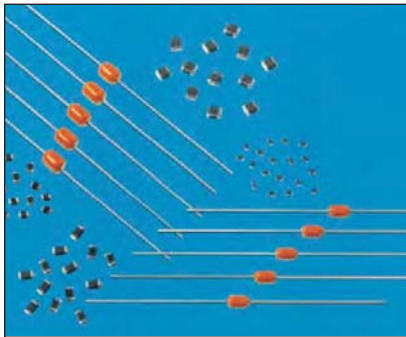


# Axial TransGuard® and StaticGuard



## AVX Axial Multilayer Ceramic Transient Voltage Suppressors



### GENERAL DESCRIPTION

Axial TransGuard® multilayer varistors are zinc oxide (ZnO) based ceramic semiconductor devices with non-linear voltage-current characteristics (bi-directional) similar to back-to-back zener diodes. They have the added advantage of greater current and energy handling capabilities as well as EMI/RFI attenuation.

Axial StaticGuard is low capacitance version of the TransGuard and are designed for general ESD protection of CMOS, Bi-Polar, and SiGe based systems.

AVX Axial varistors are designed for applications where leaded component is preferred and for durability in harsh environment.

### GENERAL CHARACTERISTICS

- Operating Temperatures: -55°C to +125°C
- Working Voltage: 3.3 - 60Vdc
- Case Size: Axial
- Energy: 0.1 - 2.0J
- Peak Current: 30 - 300A

### FEATURES

- Axial leaded, epoxy encapsulated
- Fast Response
- EMI/RFI filtering in the off-state
- Multiple strikes capability

### APPLICATIONS

- White Goods
- Industrial Equipment
- Sensors
- Relays
- DC Motors
- and more

### HOW TO ORDER - AXIAL TRANSGUARD®

<b>VA</b>	<b>1000</b>	<b>18</b>	<b>D</b>	<b>400</b>	<b>R</b>	<b>L</b>	
<b>Varistor Axial</b>	<b>Case Size</b>	<b>Voltage</b>	<b>Energy Rating</b>	<b>Clamping Voltage</b>	<b>Packaging</b>	<b>Termination</b>	
	1000 2000	03 = 3.3Vdc 05 = 5.6Vdc 14 = 14Vdc 18 = 18Vdc 26 = 26Vdc 30 = 30Vdc 48 = 48Vdc 60 = 60Vdc	A = 0.1J D = 0.4J K = 0.6J	100 = 12V 150 = 18V 300 = 32V 400 = 42V 580 = 60V 650 = 67V 101 = 100V 121 = 120V	D = 7" reel R = 7" reel T = 13" reel	L = Ni/Sn plated	

Packaging (Pcs/Reel:			
STYLE	D	R	T
VA1000	1,000	3,000	7,500
VA2000	1,000	2,500	5,000

### HOW TO ORDER - AXIAL STATICGUARD

<b>VA</b>	<b>10</b>	<b>LC</b>	<b>18</b>	<b>A</b>	<b>500</b>	<b>R</b>	<b>L</b>
<b>Varistor Axial</b>	<b>Case Size</b>	<b>Low Capacitance</b>	<b>Voltage</b>	<b>Energy Rating</b>	<b>Clamping Voltage</b>	<b>Packaging</b>	<b>Termination</b>
	10 = 1000		18 = 18Vdc	A = 0.1J	500 = 50V	D = 7" reel R = 7" reel T = 13" reel	L = Ni/Sn plated

# Axial TransGuard® and StaticGuard



## AVX Axial Multilayer Ceramic Transient Voltage Suppressors

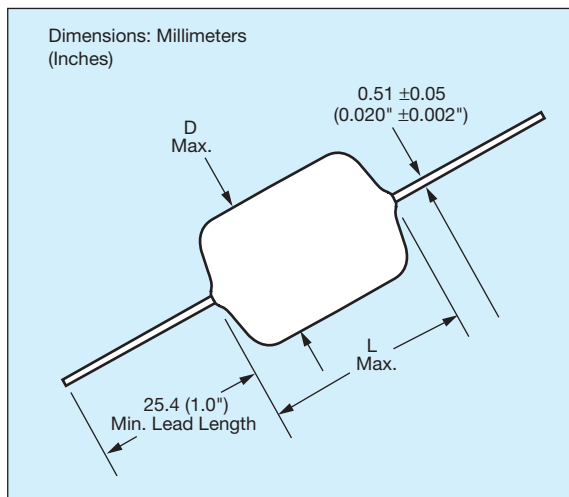
### AXIAL TRANSGUARD®

AVX PN	V <sub>w</sub> (DC)	V <sub>w</sub> (AC)	V <sub>B</sub>	V <sub>C</sub>	I <sub>vc</sub>	I <sub>L</sub>	E <sub>T</sub>	I <sub>P</sub>	Cap	Freq	Case
VA100003A100	3.3	2.3	5.0±20%	12	1	100	0.1	40	1500	K	1000
VA100003D100	3.3	2.3	5.0±20%	12	1	100	0.4	150	4700	K	1000
VA100005A150	5.6	4.0	8.5±20%	18	1	35	0.1	40	1000	K	1000
VA100005D150	5.6	4.0	8.5±20%	18	1	35	0.4	150	2800	K	1000
VA100014A300	14.0	10.0	18.5±12%	32	1	15	0.1	40	325	K	1000
VA100014D300	14.0	10.0	18.5±12%	32	1	15	0.4	150	1100	K	1000
VA100018A400	18.0	13.0	25.5±10%	42	1	10	0.1	40	350	K	1000
VA100018D400	18.0	13.0	25.5±10%	42	1	10	0.4	150	900	K	1000
VA100026D580	26.0	18.0	34.5±10%	60	1	10	0.4	120	650	K	1000
VA100030D650	30.0	21.0	41.0±10%	67	1	10	0.4	120	550	K	1000
VA100048D101	48.0	34.0	62.0±10%	100	1	10	0.4	100	200	K	1000
VA200060K121	60.0	42.0	76.0±10%	120	1	10	2.0	300	400	K	2000

### AXIAL STATICGUARD

AVX PN	V <sub>w</sub> (DC)	V <sub>w</sub> (AC)	V <sub>B</sub>	V <sub>C</sub>	I <sub>vc</sub>	I <sub>L</sub>	E <sub>T</sub>	I <sub>P</sub>	Cap	Freq	Case
VA10LC18A500	≤18.0	≤14.0	25-40	50	1	10	0.1	30	200	K	1000

V <sub>w</sub> (DC)	DC Working Voltage (V)		Working Voltage (μA)
V <sub>w</sub> (AC)	AC Working Voltage (V)	E <sub>T</sub>	Transient Energy Rating (J, 10x1000μS)
V <sub>B</sub>	Typical Breakdown Voltage (V @ 1mA <sub>DC</sub> )	I <sub>P</sub>	Peak Current Rating (A, 8x20μS)
V <sub>B</sub> Tol	V <sub>B</sub> Tolerance is ± from Typical Value	Cap	Typical Capacitance (pF) @ frequency specified and 0.5 V <sub>RMS</sub>
V <sub>C</sub>	Clamping Voltage (V @ I <sub>vc</sub> )	Freq	Frequency at which capacitance is measured (K = 1kHz, M = 1MHz)
I <sub>vc</sub>	Test Current for V <sub>C</sub> (A, 8x20μS)		
I <sub>L</sub>	Maximum Leakage Current at the		



### DIMENSIONS: mm (inches)

AVX Style		VA1000	VA2000
(L) Max Length	mm (in.)	4.32 (0.170)	4.83 (0.190)
(D) Max Diameter	mm (in.)	2.54 (0.100)	3.56 (0.140)

Lead Finish: Copper Clad Steel, Solder Coated



# Mouser Electronics

Authorized Distributor

Click to View Pricing, Inventory, Delivery & Lifecycle Information:

## AVX:

[VA100026D580DL](#) [VA100026D580RL](#) [VA100014D300DL](#) [VA100030D650DL](#) [VA100003D100DL](#)  
[VA100048D101DL](#) [VA100018D400DL](#) [VA100018A400DL](#) [VA200060K121DL](#) [VA100005A150DL](#) [VA100014A300DL](#)  
[VA100005D150DL](#) [VA100003A100DL](#) [VA100005D150RL](#) [VA100014D300RL](#) [VA100018D400RL](#) [VA100030D650RL](#)  
[VA100003A100RL](#) [VA100003D100RL](#) [VA100005A150RL](#) [VA100014A300RL](#) [VA100018A400RL](#) [VA100048D101RL](#)  
[VA200060K121RL](#) [VA100003D100D](#) [VA100026D580BL](#) [VA100018D400R](#) [VA100005A150BL](#) [VA100005D150D](#)  
[VA100048D101TL](#) [VA200060K121D](#) [VA100030D650R](#) [VA100005A150R](#) [VA100014D300R](#) [VA100005A150TL](#)  
[VA100030D650D](#) [VA100026D580TL](#) [VA100014A300R](#) [VA100003D100BL](#) [VA100018A400D](#) [VA100014D300D](#)  
[VA100005D150TL](#) [VA100003A100R](#) [VA100014A300TL](#) [VA100048D101R](#) [VA100005D150R](#) [VA100030D650BL](#)  
[VA100018D400D](#) [VA100005D150BL](#) [VA100003A100D](#) [VA100030D650TL](#) [VA100048D101D](#) [VA200060K121R](#)  
[VA100026D580R](#) [VA100014D300TL](#) [VA100018A400TL](#) [VA100003D100R](#) [VA100005A150D](#) [VA100026D580D](#)  
[VA100018D400TL](#) [VA100014A300D](#) [VA100018A400R](#) [VA100003A100TL](#)