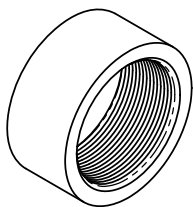


NOTES:

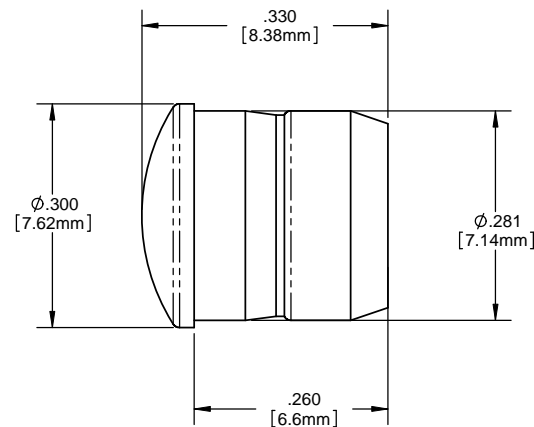
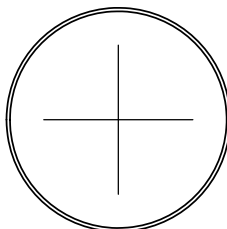
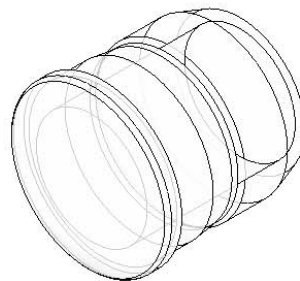
1. MOUNTING: Mounts in a $\phi .281 \pm .002$ [$\phi 7.13\text{mm} \pm .05$] panel hole on .375 [9.5mm] centers. Panel thickness .031 [0.8mm] to .250 [6.35mm]. Panel hole should be deburred, but not chamfered.
2. ASSEMBLY: Insert lens through panel hole, slide RNG 268 retainer on back of lens. PCB mounted LEDs slide into lens when the panel cover is closed or the PCB card is inserted into the case.
3. MATERIAL: Polycarbonate, UL 94-V2
4. U.S. & Foreign Pat. Issued & Pend.

| REVISIONS | | | | |
|-----------|------|---------------------------|---------|----------|
| ECN# | REV. | DESCRIPTION | DATE | INITIALS |
| | 1 | ADD UL RATING TO MATERIAL | 9-16-09 | AZ |
| | 001 | REVISED PER ECR111009AZ01 | 4-23-10 | SMU |

RETAINER
(ORDER SEPARATELY)



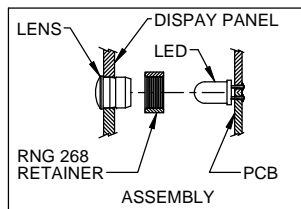
RNG 268



ORDERING CODE : **CMC 323 XXX**

MODEL

| LENS COLOR | |
|------------|-------------------|
| CTP | CLEAR TRANSPARENT |



| | | | |
|---|--|---|---|
| <small>UNLESS OTHERWISE SPECIFIED DIMENSIONS ARE IN INCHES</small> ANGLES DECIMALS $\pm 1^\circ$.X $\pm .020$.XXX $\pm .010$ FINISH .XXX $\pm .005$ BREAK ALL CORNERS AND SHARP EDGES (S1101) | MATERIAL POLYCARBONATE, UL 94-V2 | VISUAL COMMUNICATIONS COMPANY, INC. 190 Bosstick Boulevard, Suite 101 San Marcos, CA 92069 USA Phone (760) 560-1300 Fax (760) 560-1301 email vccsales@vccite.com | |
| | FINISH SEE NOTES | TITLE: 5MM ROUND PLAIN END LENS | |
| THIRD ANGLE PROJECTION <small>THE INFORMATION CONTAINED IN THIS DRAWING IS THE SOLE PROPERTY OF VISUAL COMMUNICATIONS COMPANY, INC. AND IS LOANED TO YOU AS A SINGLE COPY. IT IS NOT TO BE REPRODUCED OR TRANSMITTED IN ANY FORM OR BY ANY MEANS, ELECTRONIC OR MECHANICAL, INCLUDING PHOTOCOPYING, RECORDING, OR BY ANY INFORMATION STORAGE AND RETRIEVAL SYSTEM, WITHOUT THE WRITTEN PERMISSION OF VISUAL COMMUNICATIONS COMPANY, INC.</small> | APPROVAL | DATE | SIZE DWG. NO. REV B CMC 323 XXX 001 |
| | DRAWN: SMU | 4-23-10 | SCALE: 1:1 SHEET 1 OF 1 |
| | CHECKED: DZ | 4-23-10 | |
| DO NOT SCALE DRAWING | | | |

Mouser Electronics

Authorized Distributor

Click to View Pricing, Inventory, Delivery & Lifecycle Information:

VCC:

[CMC_323_CTP](#)