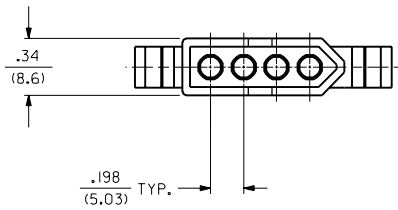
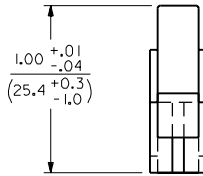
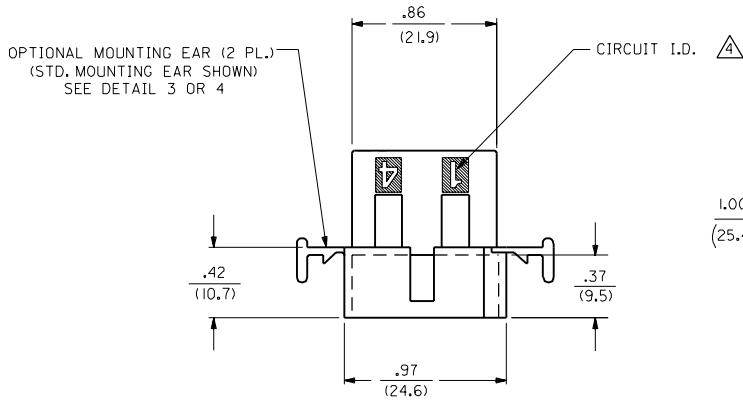
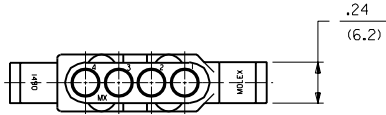


PLUG



PLUG HOUSING

T	3	T
S	2	T
RI	1	T
R		
P		
MFG.	SH.	REV.
LTR.		REVISIONS

DIMENSIONS SHOWN METRIC (INCH)		UNLESS OTHERWISE SPECIFIED TOLERANCES: ANGULAR $\pm$ .004	
3 PLACE	$\pm$ .010	INCH	METRIC
2 PLACE	$\pm$ .014		$\pm$ 0.25
1 PLACE	---		$\pm$ 0.35
DRAFT WHERE APPLICABLE MUST REMAIN WITHIN DIMENSIONS			
DRWG. BY: RAS	CHKD. BY: RW	FILE NAME: SD I490X1.DWG	SCALE: 2 : 1
SEE CHART		SD-1490-*	
PART NO. MOLEX INCORPORATED LISLE, ILL. 60532 U.S.A.		SHEET NO. 1 OF 3	DATE 3/9/88
TITLE: .093/(2.36) HOUSING, PLUG AND RECEPTACLE, 4 CKT. $\pm$ .198/(5.03) CTRS.			
THIS DRAWING CONTAINS INFORMATION THAT IS PROPRIETARY TO MOLEX INC. AND SHOULD NOT BE USED WITHOUT WRITTEN PERMISSION.			

T	ADD -PIBU VERSION PER ECN #U3 1537 10-21-93 RW
S	REVISE PER ECR #U1 1686 8/9/91 RW
RI	ADD EDP'S & REVISE SUFFIXES, ECR #U0834 4/24/91 RW
R	REV. LENGTH TOL. ECN #U1 0685 3-22-91 RW
P	REV. & REDRAWN, ECR #U8 1139 3-8-88 RW

PLUG	
PART NO.	ENG. NO.
03-09-2041	I490-P
03-09-2042	I490-PI
03-09-7041	I490-PBK
03-09-7042	I490-PIBK
PRELIMINARY	I490-P2
03-09-3042	I490-PIBU

RECEPTACLE	
PART NO.	ENG. NO.
03-09-1041	I490-R
03-09-1042	I490-R1
03-09-6041	I490-RBK
03-09-6042	I490-RIBK
03-09-1043	I490-R2
03-09-6043	I490-RBU
03-09-6045	I490-RGN

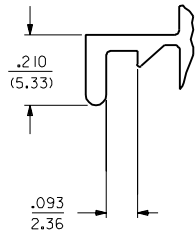
**LEGEND:**

I490-\*\*\*-\*

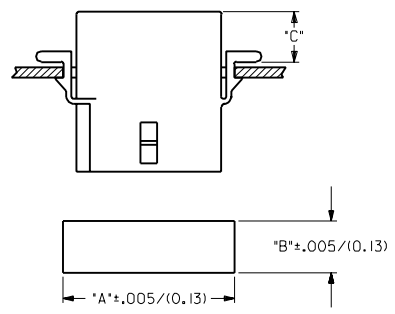
P = PLUG  
R = RECEPTACLE

BLANK = WITH STANDARD EARS  
1 = WITHOUT EARS  
2 = WITH PREBENT EARS, PER DETAIL 4

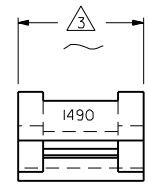
COLOR: BLANK=NATURAL COLOR  
AM=AMBER BK=BLACK BU=BLUE  
BN=BROWN CY=GRAY GN=GREEN  
OR=ORANGE RD=RED YW=YELLOW  
BLANK = MATERIAL CODE A



**DETAIL 3**  
.093/(2.36) STANDARD MOUNTING EAR  
(SCALE 4:1)



HOUSING	DIM. "A"	DIM. "B"	DIM. "C"
PLUG	1.131/(28.73)	.375/(9.52)	.36/(9.1)
RECEPTACLE	1.038/(26.36)	.312/(7.92)	.37/(9.4)



**DETAIL 4**  
.093/(2.36) PREBENT MOUNTING EAR  
(SCALE 4:1)

**NOTES:**

- MATERIAL CODES:  
A = NYLON 6/6, 94V-2
- THIS PART COMPLIES WITH MOLEX PRODUCT SPEC. 02-09.
- FOR DIMENSION SEE SHEET 1 AND 2.
- CIRCUIT I.D. NUMBERS ON HOUSING APPEAR ON PARTS FROM TOOLS BUILT AFTER 8/7/91.

DIMENSIONS SHOWN METRIC (INCH)		UNLESS OTHERWISE SPECIFIED TOLERANCES: ANGULAR ± .04° TO		▽ = 0 ▼ = 0		REVISE ONLY ON CAD SYSTEM	
INCH		METRIC		TITLE		.093/(2.36) HOUSINGS, PLUG AND RECEPTACLE, 4 CKT. ± .198/(5.03) CTRS.	
3 PLACE	± .010	---	---	MOLEX INCORPORATED	SHEET NO. 3	DATE	3/10/88
2 PLACE	± .014	± 0.25	---	LITSE,LLC.	60532	U.S.A.	
1 PLACE	---	± 0.35	---	PART NO. SD-1490-*			
DRAWING: RAS				DRAWING: RW			
APP'D: RAS				SCALE: 2 : 1			
LTR. REVISIONS		LTR. REVISIONS		SEE CHART			