

NOTES:

1. MATERIAL:
 '0' = NYLON V-O LOW HALOGEN; COLOR: BLACK
 '1' = NYLON V-2 GLOW WIRE CAPABLE; COLOR: BLACK
2. FINISH: NONE
3. PRODUCT SPECIFICATION: TBD
 APPLICATION SPECIFICATION: TBD
4. PACKAGING SPECIFICATION: PK-70873-0071
 REFER TO AS-45499-001 FOR MOISTURIZING NYLON CONNECTOR PARTS.
5. THIS HOUSING TO BE USED WITH RECEPTACLE HOUSING SERIES 170001 & 171692.
6. THIS PART CONFORMS TO CLASS 'B' REQUIREMENTS OF COSMETIC SPECIFICATION PS-45499-002.
11. FOR "1" MATERIAL USE CLASS C GATE BLIMISH SPEC.
12. 200122-0006 SHOWN. SEE SHEET 2 FOR OTHER PART NUMBERS.

PART LEGEND

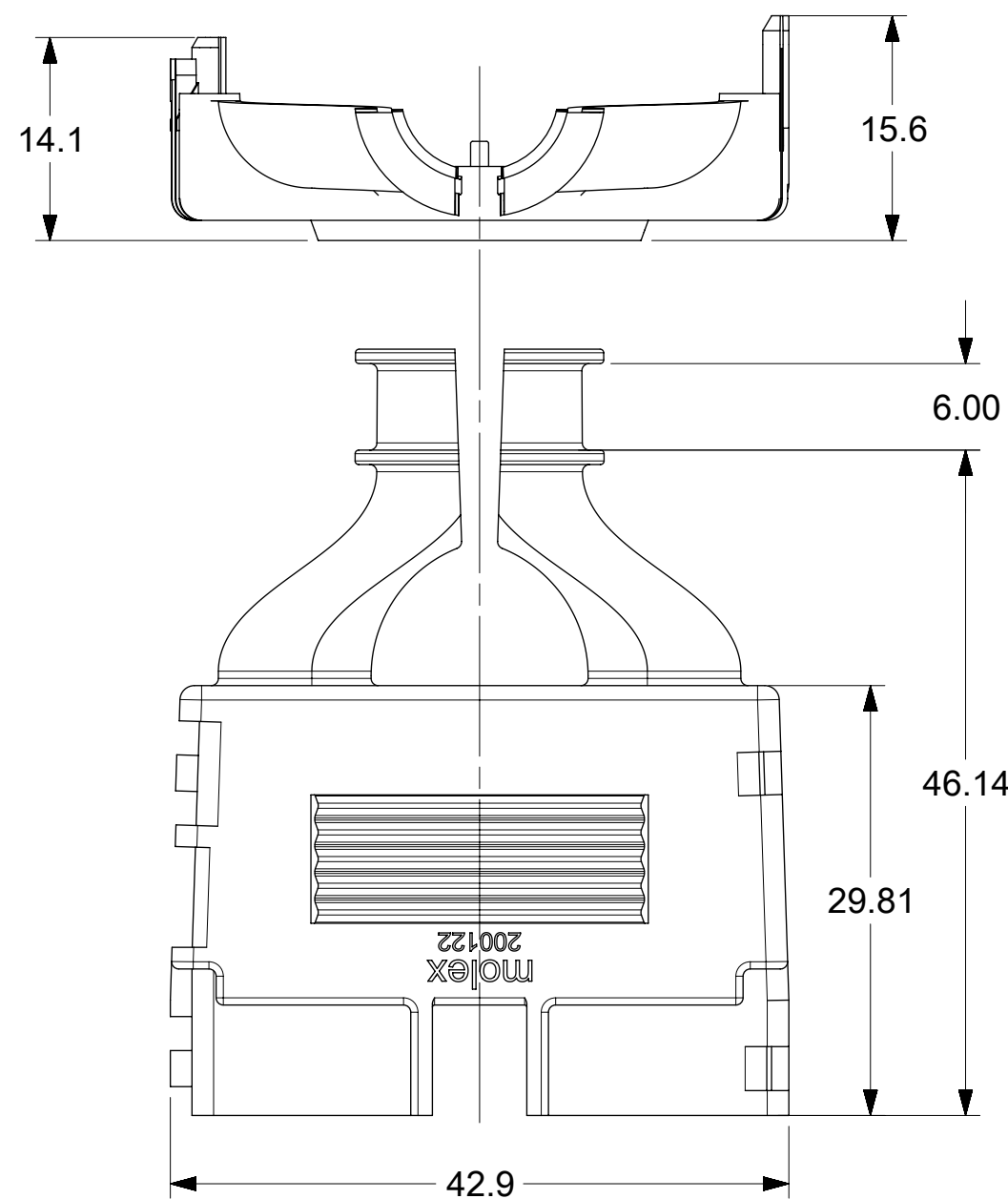
200122 - 0 * * *

PART SERIES

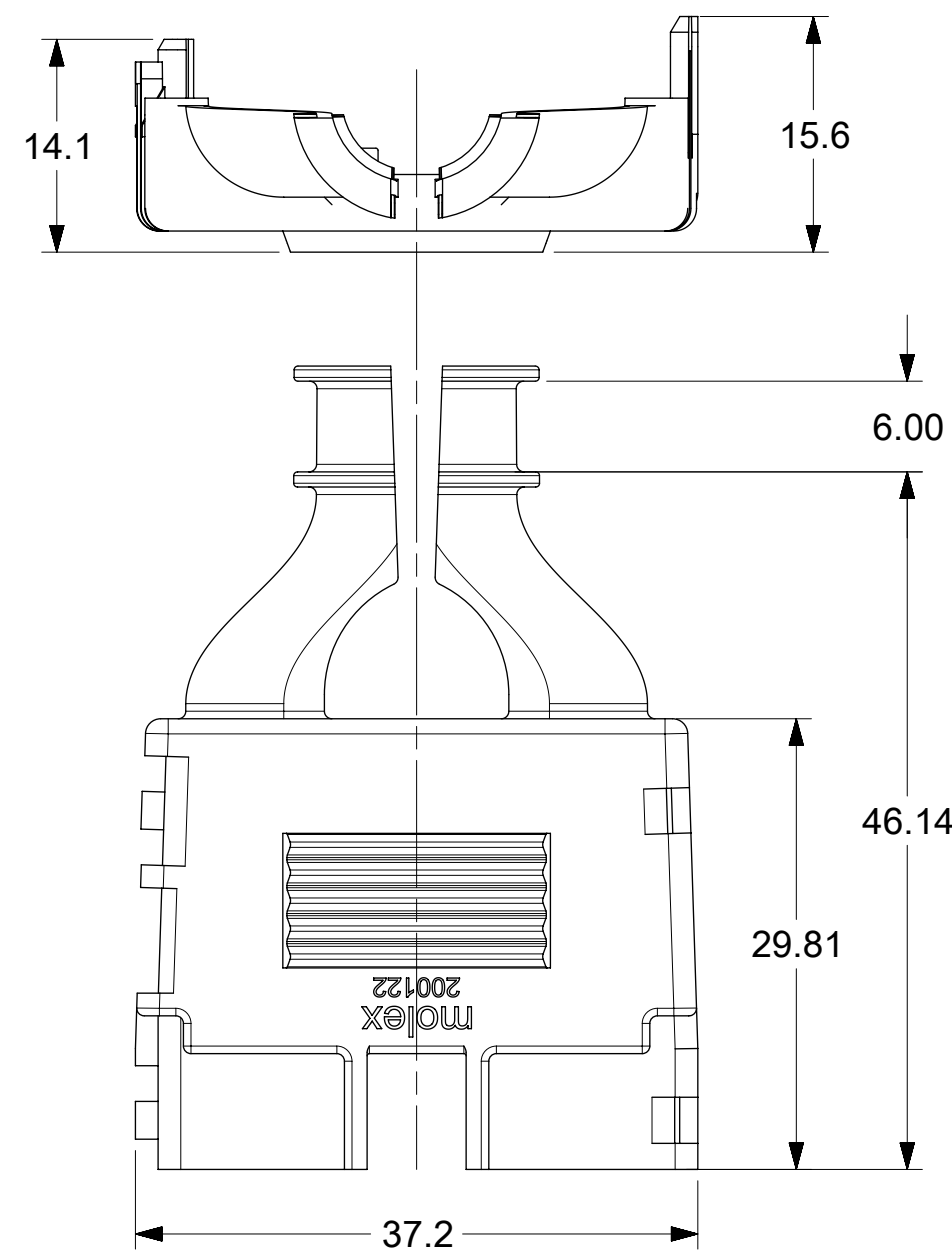
MATERIAL (SEE NOTE 1)

NUMBER OF CKTS (SEE SHEET 2)

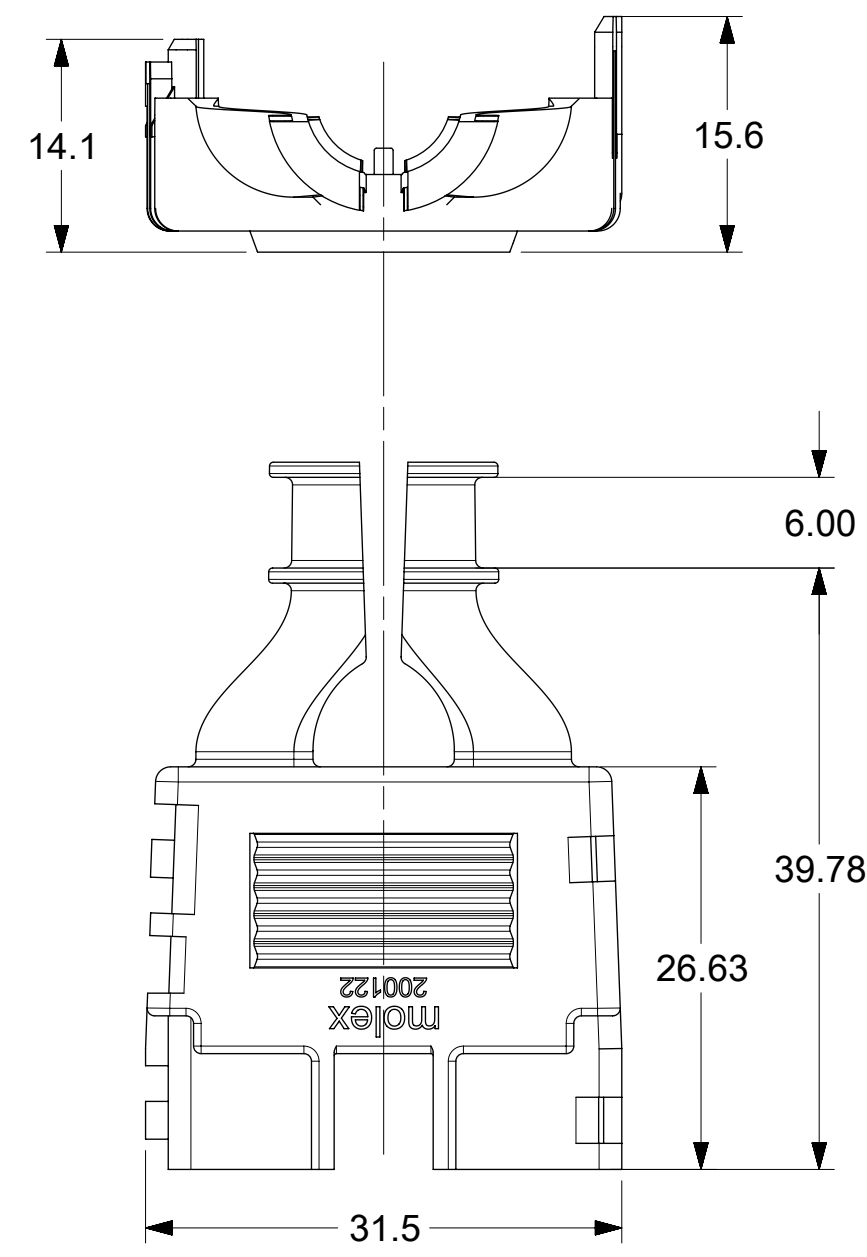
THIS DRAWING CONTAINS INFORMATION THAT IS PROPRIETARY TO MOLEX INCORPORATED AND SHOULD NOT BE USED WITHOUT WRITTEN PERMISSION														
EC DESCRIPTION EC NO: 102059 DRWN: TGREGORI CHK'D: REV APPR:	QUALITY SYMBOLS	▽ = 0 ▽ = 0 ▽ = 4	GENERAL TOLERANCES (UNLESS SPECIFIED) ANGULAR TOL ± 0.5 ° 4 PLACES ± 3 PLACES ± 2 PLACES ± 0.25 1 PLACE ± 0.4 0 PLACES ±	DIMENSION UNITS	SCALE	molex								
					MM	3:1	RECEPTACLE BACKSHELL, DUAL ROW MEGA-FIT PRODUCT CUSTOMER DRAWING							
					DRWN BY	DATE								
					TGREGORI	2015/09/15	CHK'D BY	DATE	SERIES	MATERIAL NUMBER	CUSTOMER			
				TGREGORI	2015/09/29	APPR BY		DATE	200122	SEE SHEET 2	DOCUMENT NUMBER	DOC TYPE	DOC PART	SHEET NUMBER
A	REV	DRAFT WHERE APPLICABLE MUST REMAIN WITHIN DIMENSIONS		C	DRAWING SIZE	THIRD ANGLE PROJECTION		2001220000	PSD	000	1 OF 2			



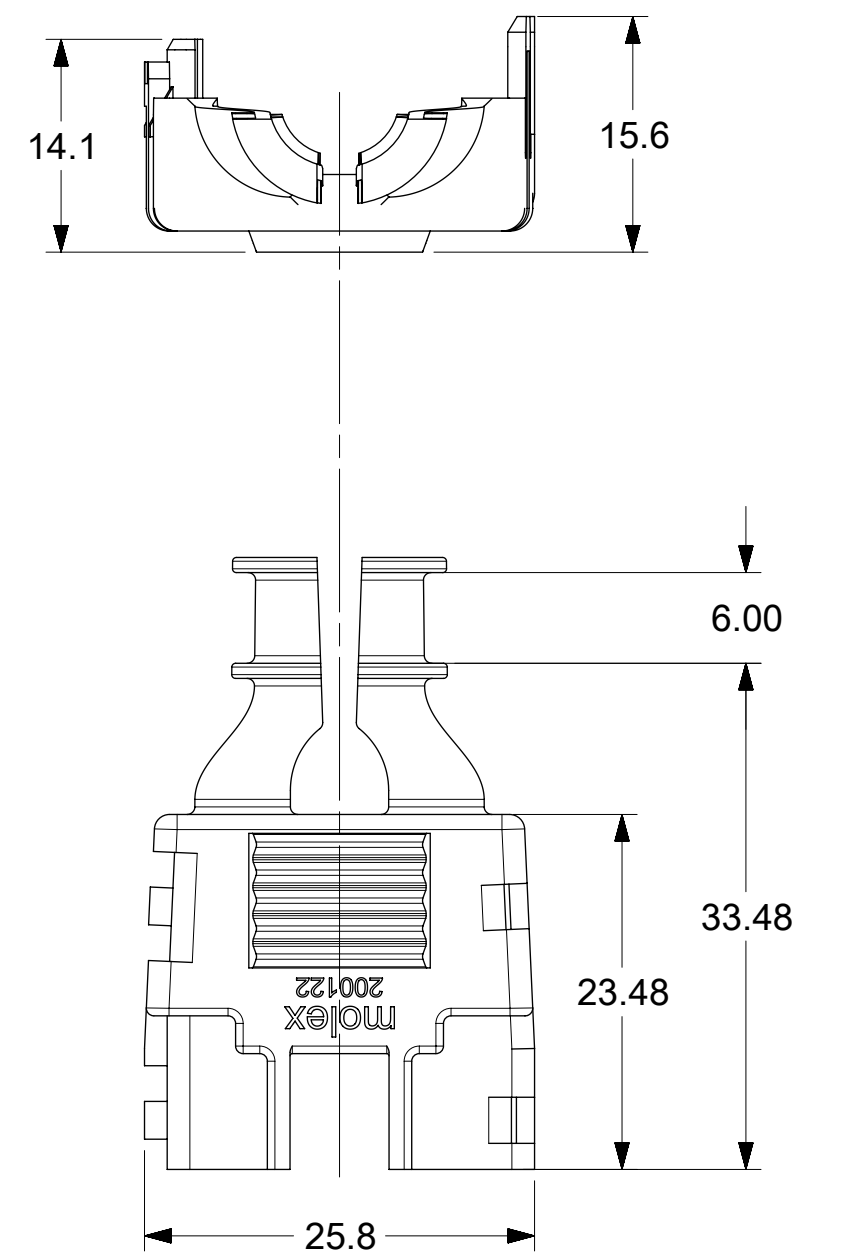
200122-0*12



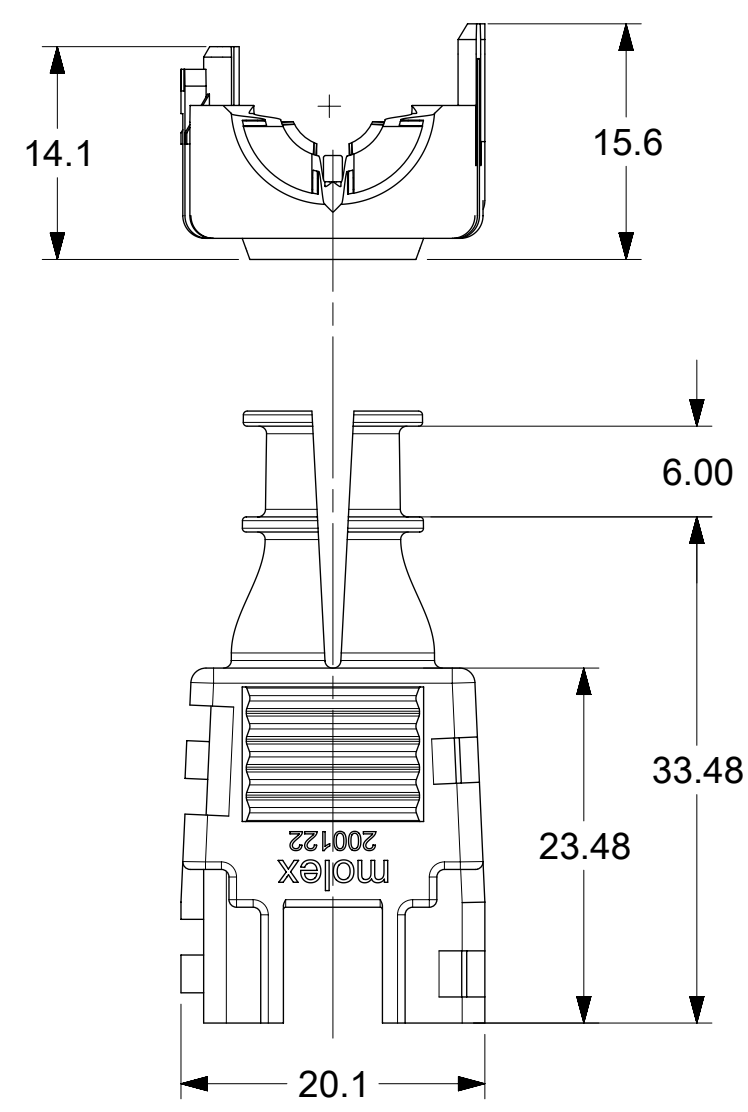
200122-0*10



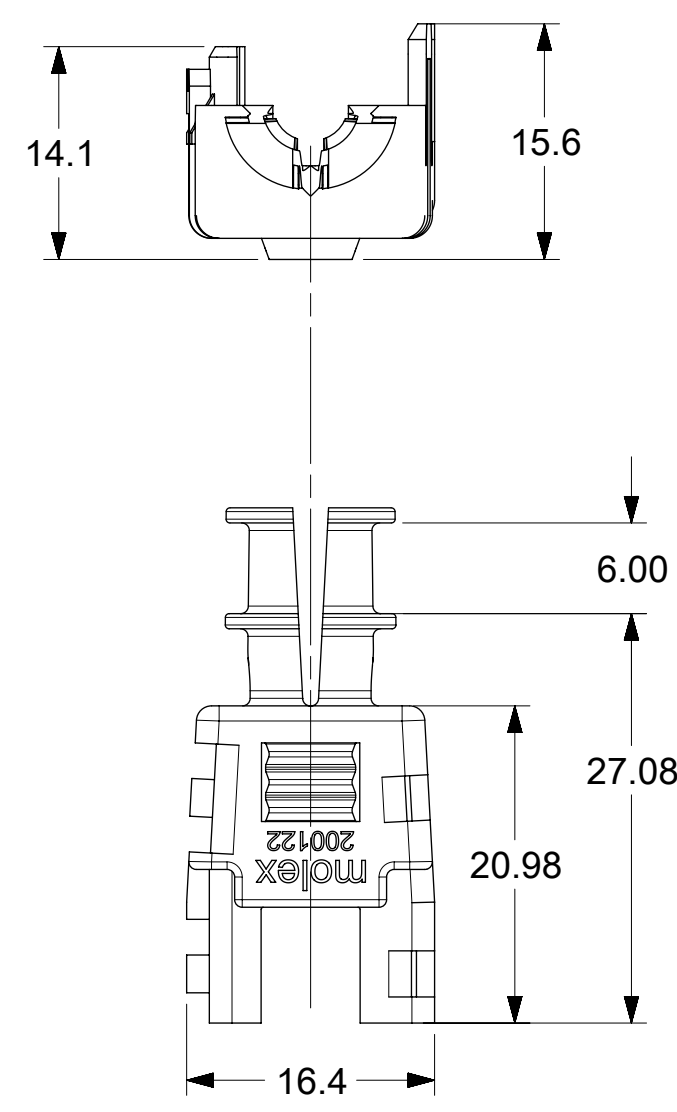
200122-0*08



200122-0*06



200122-0*04



200122-0*02

THIS DRAWING CONTAINS INFORMATION THAT IS PROPRIETARY TO MOLEX INCORPORATED AND SHOULD NOT BE USED WITHOUT WRITTEN PERMISSION											
EC DESCRIPTION EC NO: 102059 DRWN: TREGORI CHK'D: RHOJGE REV APPR: #	QUALITY SYMBOLS	GENERAL TOLERANCES (UNLESS SPECIFIED)		DIMENSION UNITS	SCALE						
	▽ = 0	ANGULAR TOL ± 0.5 °		MM	1:1						
	▽ = 0	4 PLACES ±	DRWN BY		DATE	RECEPTACLE BACKSHELL, DUAL ROW MEGA-FIT PRODUCT CUSTOMER DRAWING					
	▽ = 4	3 PLACES ±	TGREGORI		2015/09/15						
	2 PLACES ± 0.25	CHK'D BY		DATE	SERIES: 200122 MATERIAL NUMBER: SEE SHEET 2 CUSTOMER:						
	1 PLACE ± 0.4	TGREGORI		2015/09/29							
	0 PLACES ±	DRAFT WHERE APPLICABLE MUST REMAIN WITHIN DIMENSIONS		DRAWING SIZE	THIRD ANGLE PROJECTION	DOCUMENT NUMBER: 2001220000 DOC TYPE: PSD DOC PART: 000 SHEET NUMBER: 2 OF 2					
A		C									