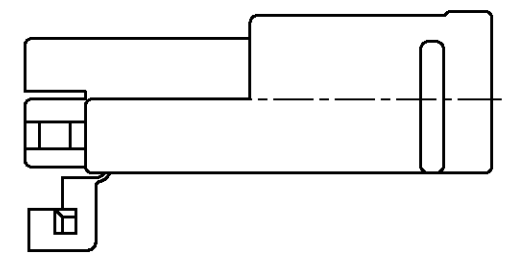
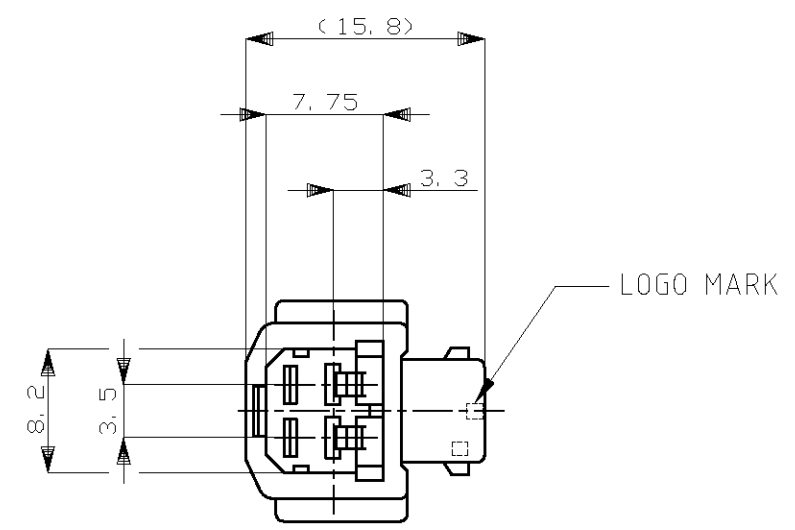
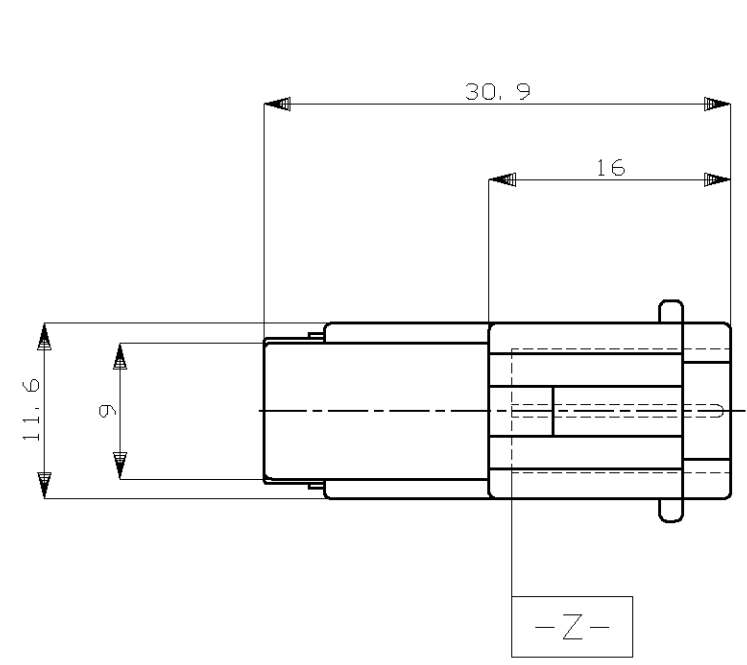


THIS DRAWING IS UNPUBLISHED. RELEASED FOR PUBLICATION
 © COPYRIGHT - By - ALL RIGHTS RESERVED.

LOC	DIST	REVISIONS					
J	-	P	LTR	DESCRIPTION	DATE	DWN	APVD
		H1	REVISED	ECR-13-007843	13MAY2013	TS	KB



- △ 1. MUST BE KEPT BETWEEN [-A-] AND 2mm
 - 2. THE MATING PLUG HOUSING PART NUMBER 174463
 - 3. APPLIED TAB CONTACT ; PN 173645, 173633.
- △ 1. [-A-] 面より2mmの範囲で測定
 - 2. 嵌合相手ハウジング型番 174463
 - 3. 内装するタブコンタクトは型番 173645, 173633

OBSOLETE	黄 (YELLOW)	174460-7
OBSOLETE	灰 (GRAY)	174460-6
OBSOLETE	青 (BLUE)	174460-5
	黒 (BLACK)	174460-2
	白 (WHITE)	174460-1
	色 (COLOR)	型番 (PART NUMBER)

TOLERANCE UNLESS OTHERWISE SPECIFIED: 一般公差

0 < x ≤ 10	: ±0.2
10 < x ≤ 30	: ±0.25
30 < x ≤ 100	: ±0.3
ANGLE ; 角度	: ±3°

THIS DRAWING IS A CONTROLLED DOCUMENT.

DWN S.FUJITA 18AUG08	STE TE Connectivity			
CHK K.BETSUI 18AUG08				
APVD K.BETSUI 18AUG08				
NAME .070 SERIES MULTILOCK I/O CONNECTOR 2POSITION CAP HOUSING W-W				
PRODUCT SPEC 製品規格 108-5264	SIZE A3	CAGE CODE 00779	DRAWING NO 番号 C-174460	RESTRICTED TO -
APPLICATION SPEC 取付適用規格 114-5092	WEIGHT 2.1 g	SCALE 尺度 2:1		SHEET 1 OF 1
MATERIAL 材料 PBT	CUSTOMER DRAWING		REV H1	

Mouser Electronics

Authorized Distributor

Click to View Pricing, Inventory, Delivery & Lifecycle Information:

[TE Connectivity:](#)

[174460-1](#)