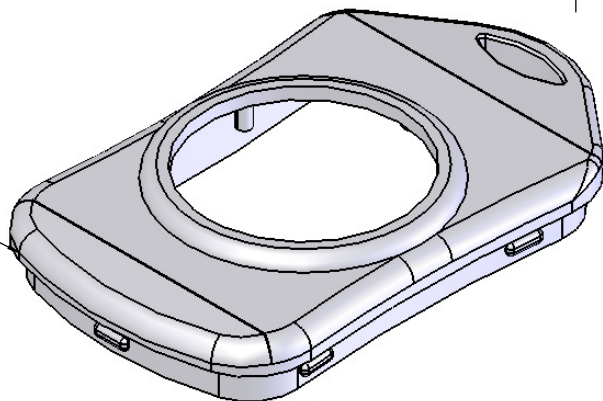
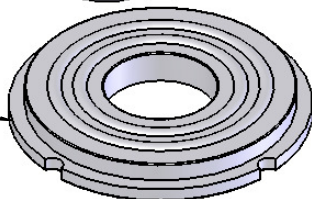


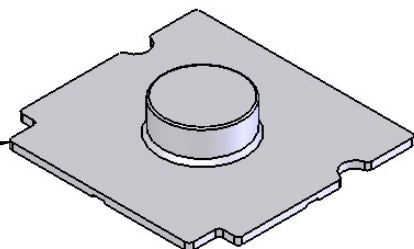
TOP



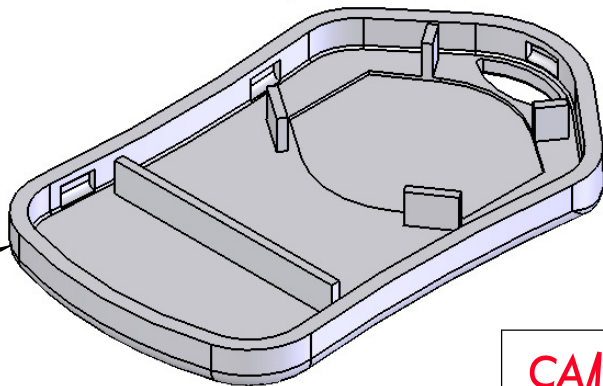
ESCUTCHEON



FLEXIBLE BUTTON



BASE



**CAMDENBOSS**  
ELECTRONICS & ENCLOSURES

JAMES CARTER RD, MILDENHALL, SUFFOLK, IP28 7DE  
TEL: 01638 716101 FAX: 01638 716554  
EMAIL: SALES@BOSS-ENCLOSURES.CO.UK  
WEB: WWW.BOSS-ENCLOSURES.CO.UK

UNLESS OTHERWISE SPECIFIED:  
DIMENSIONS ARE IN MILLIMETERS

DO NOT SCALE DRAWING

REVISION. O

FINISH.  
LIGHT SPARKED

TITLE:

GENERAL ASSEMBLY DRG

	NAME	SIGNED	DATE
DRAWN	S.HARDINGE	SJH	22/01/07
CHK'D	-	-	-

MATERIAL.

ABS

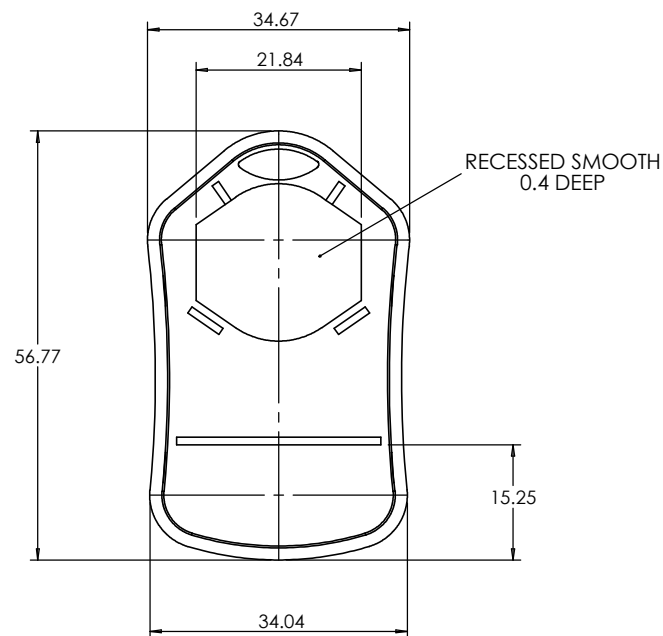
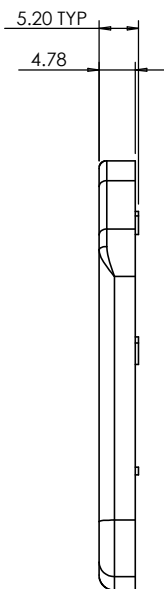
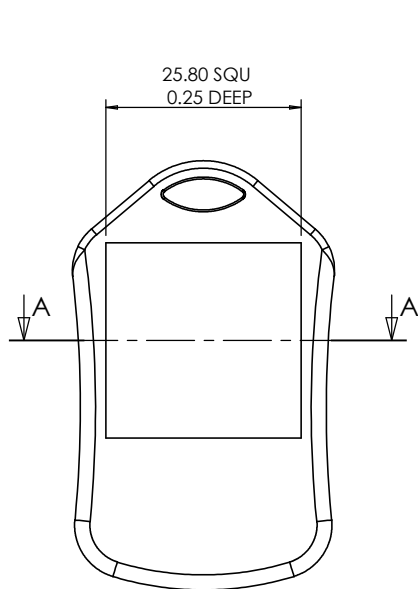
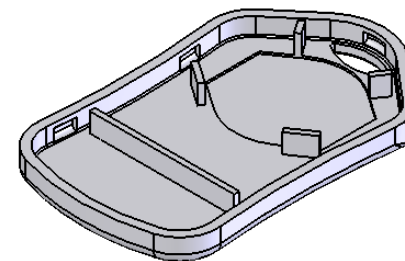
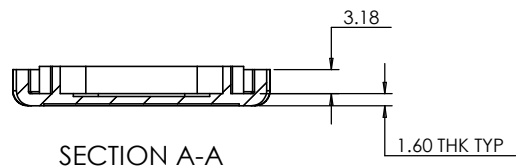
DWG NO.


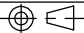
2955-20 GNL

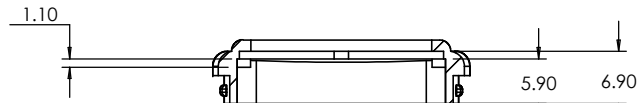
A4

PROJECTION.

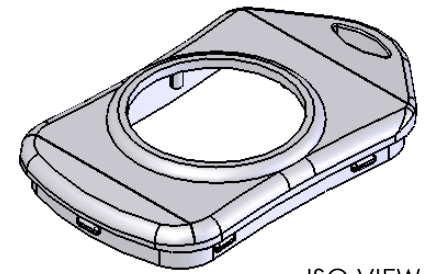
SHEET 1 OF 1



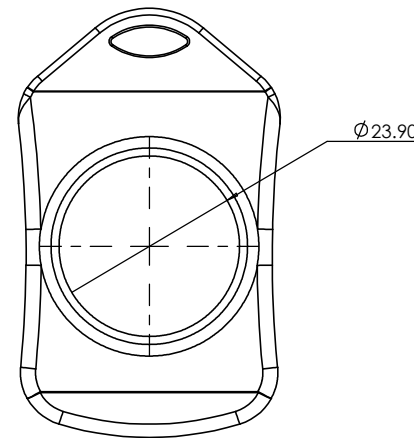
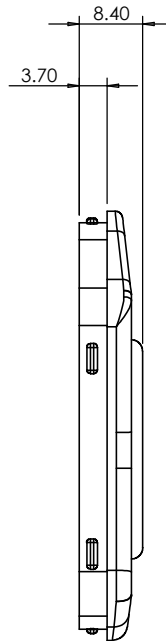
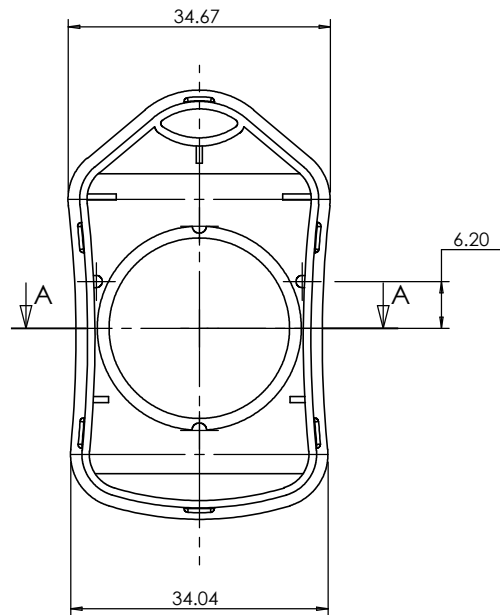
 JAMES CARTER RD, MILDENHALL, SUFFOLK. IP28 7DE TEL: 01638 716101 FAX: 01638 716554 EMAIL: SALES@BOSS-ENCLOSURES.CO.UK WEB: www.BOSS-ENCLOSURES.CO.UK				UNLESS OTHERWISE SPECIFIED: DIMENSIONS ARE IN MILLIMETERS		DO NOT SCALE DRAWING		REVISION. 0	
				FINISH. LIGHT SPARK		TITLE: PART DRG FOR 2955-20 BASE			
DRAWN S.HARDINGE		SIGNED SJH	DATE 26/06/06	MATERIAL. ABS		DWG NO. 2955-20 Base		A4	
CHK'D -		-	-	PROJECTION. 		SCALE. 1 : 1		SHEET 1 OF 1	


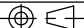


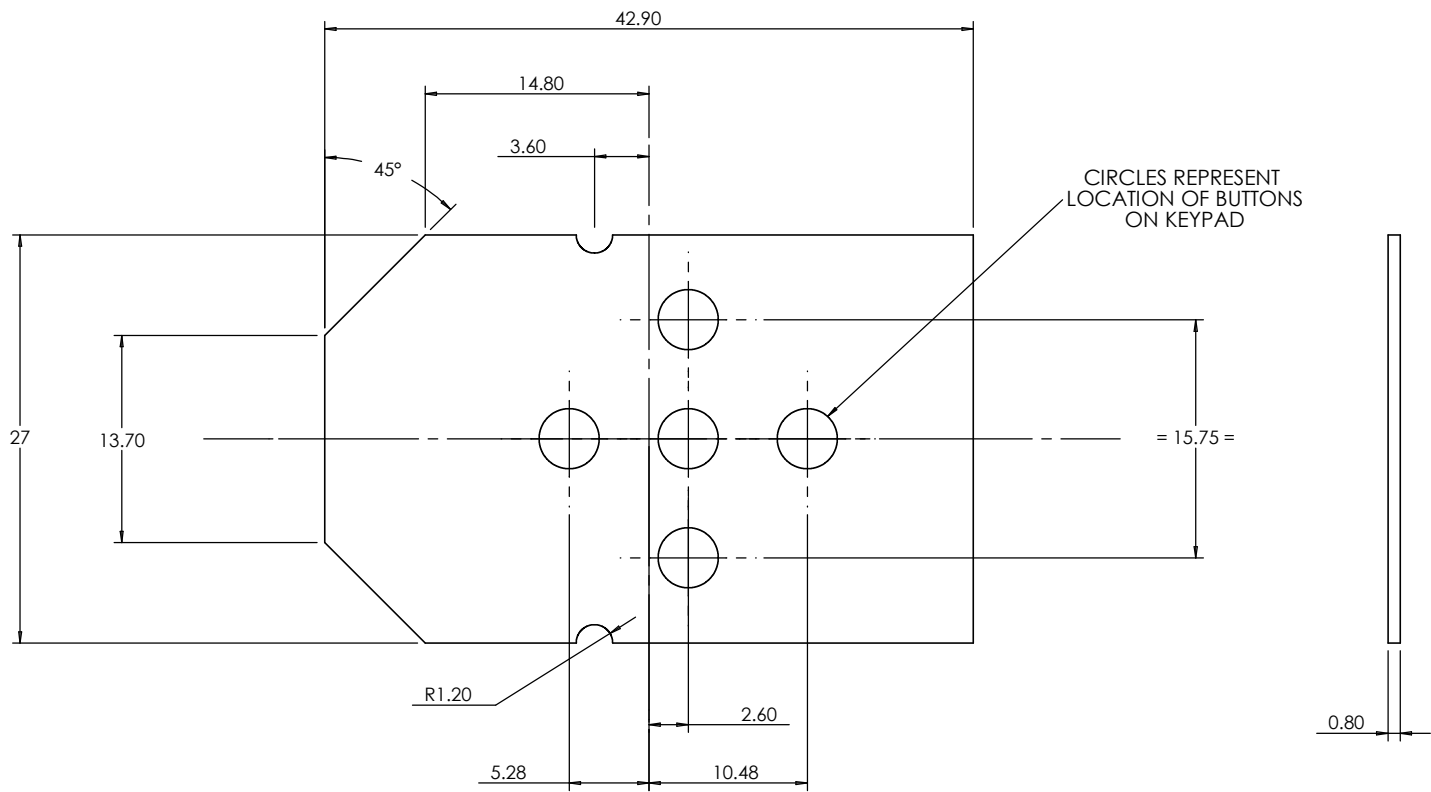
SECTION A-A


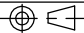


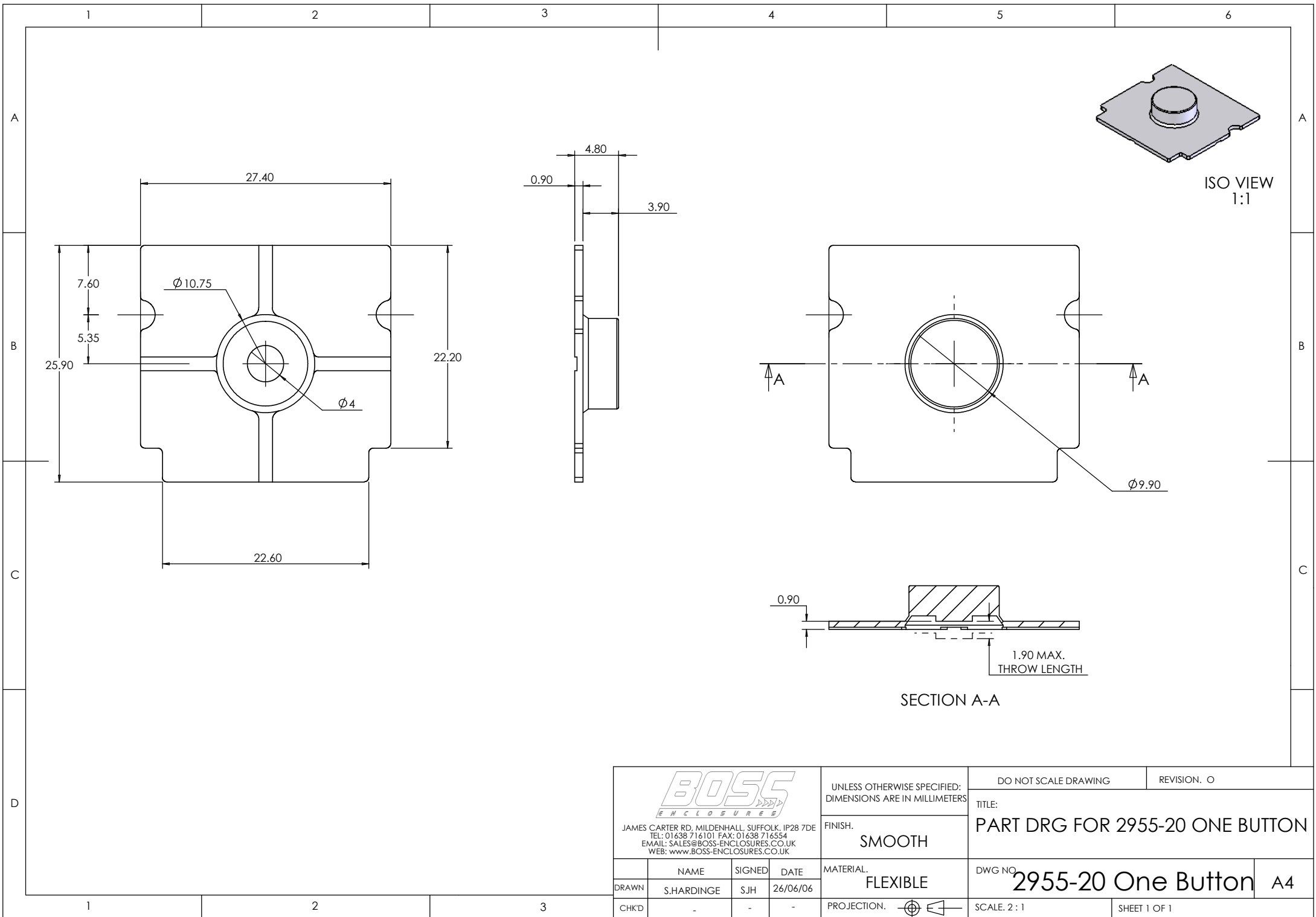
ISO VIEW


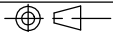


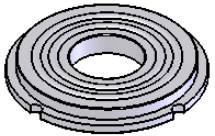
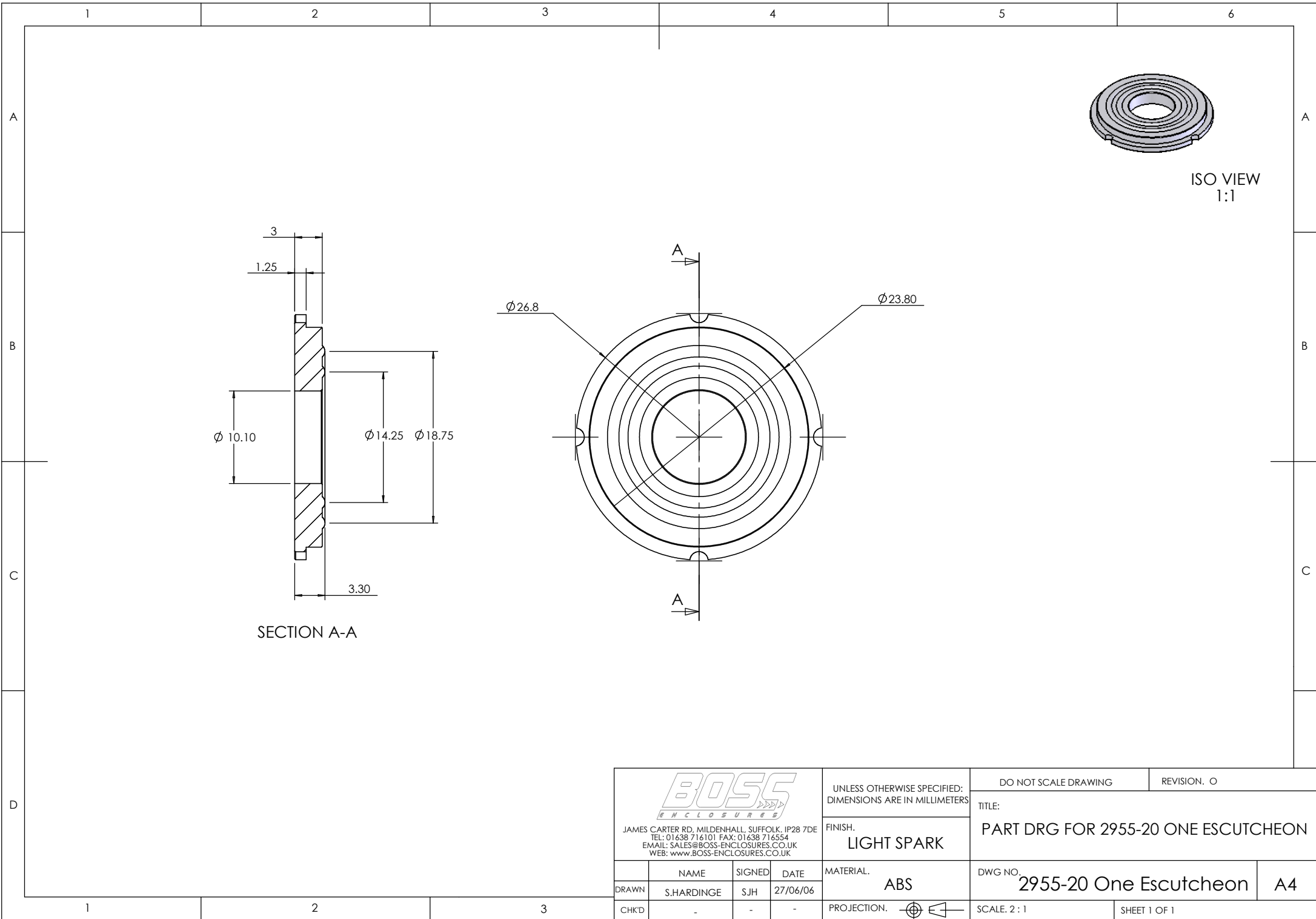
 JAMES CARTER RD, MILDENHALL, SUFFOLK. IP28 7DE TEL: 01638 716101 FAX: 01638 716554 EMAIL: SALES@BOSS-ENCLOSURES.CO.UK WEB: www.BOSS-ENCLOSURES.CO.UK				UNLESS OTHERWISE SPECIFIED: DIMENSIONS ARE IN MILLIMETERS		DO NOT SCALE DRAWING		REVISION. O	
				FINISH. LIGHT SPARK		TITLE: PART DRG FOR 2955-20 TOP			
DRAWN S.HARDINGE		SIGNED SJH	DATE 27/06/06	MATERIAL. ABS		DWG NO. 2955-20 Top		A4	
CHK'D -		-	-	PROJECTION. 		SCALE: 1 : 2		SHEET 1 OF 1	



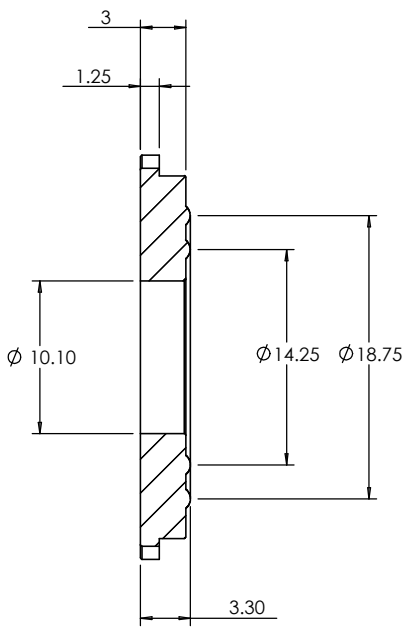
 JAMES CARTER RD, MILDENHALL, SUFFOLK. IP28 7DE TEL: 01638 716101 FAX: 01638 716554 EMAIL: SALES@BOSS-ENCLOSURES.CO.UK WEB: www.BOSS-ENCLOSURES.CO.UK				UNLESS OTHERWISE SPECIFIED: DIMENSIONS ARE IN MILLIMETERS		DO NOT SCALE DRAWING		REVISION. O		
				FINISH. ---		TITLE: <b>PCB REP FOR 2955-20</b>				
DRAWN S.HARDINGE		SIGNED SJH		DATE 18/12/06		MATERIAL. ---		DWG NO. <b>2955-20 PCB rep</b>		A4
CHK'D -		-		-		PROJECTION. 		SCALE: 2 : 1		SHEET 1 OF 1



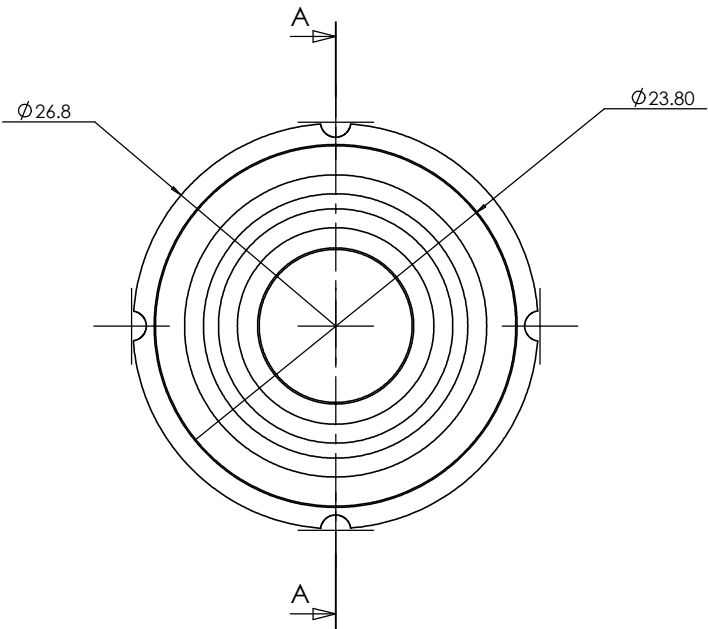
 JAMES CARTER RD, MILDENHALL, SUFFOLK. IP28 7DE TEL: 01638 716101 FAX: 01638 716554 EMAIL: SALES@BOSS-ENCLOSURES.CO.UK WEB: www.BOSS-ENCLOSURES.CO.UK				UNLESS OTHERWISE SPECIFIED: DIMENSIONS ARE IN MILLIMETERS		DO NOT SCALE DRAWING	REVISION. 0
				FINISH. <b>SMOOTH</b>		TITLE: <b>PART DRG FOR 2955-20 ONE BUTTON</b>	
DRAWN S.HARDINGE		SIGNED SJH	DATE 26/06/06	MATERIAL. <b>FLEXIBLE</b>	DWG NO. <b>2955-20 One Button</b>	A4	
CHK'D	-	-	-	PROJECTION. 	SCALE. 2 : 1	SHEET 1 OF 1	


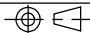


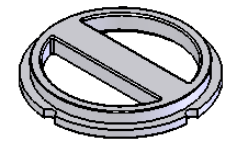
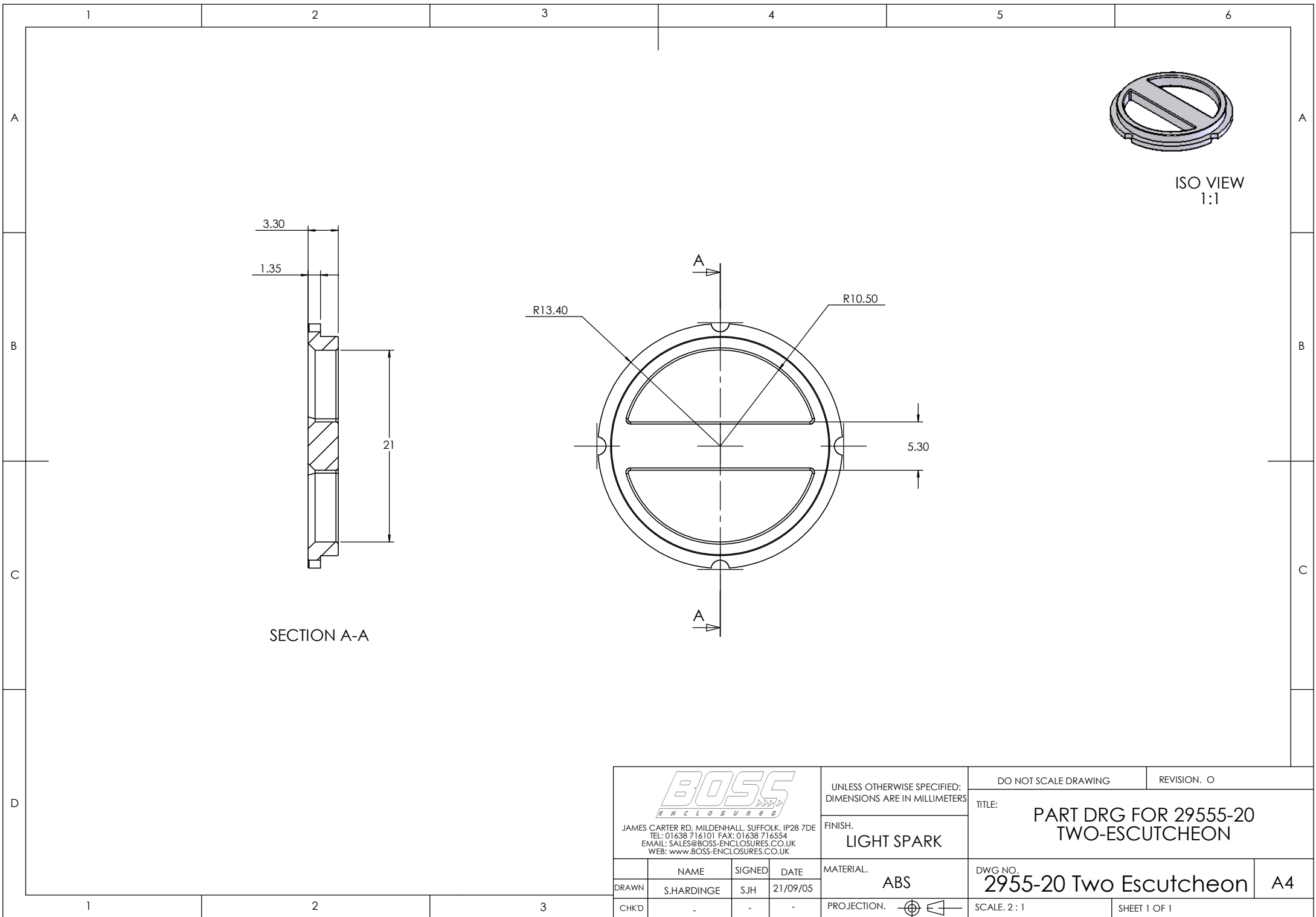
ISO VIEW  
1:1



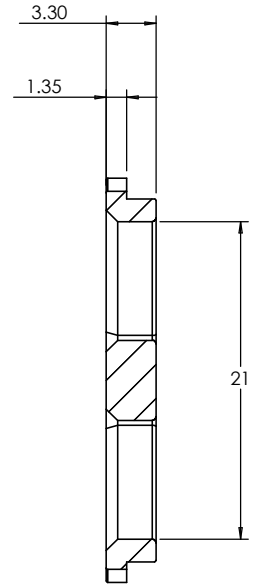
SECTION A-A



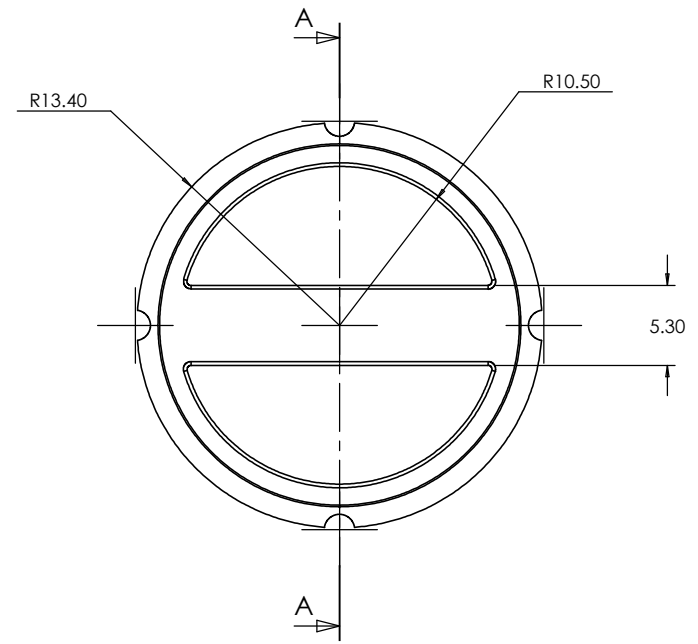
 JAMES CARTER RD, MILDENHALL, SUFFOLK, IP28 7DE TEL: 01638 716101 FAX: 01638 716554 EMAIL: SALES@BOSS-ENCLOSURES.CO.UK WEB: WWW.BOSS-ENCLOSURES.CO.UK				UNLESS OTHERWISE SPECIFIED: DIMENSIONS ARE IN MILLIMETERS		DO NOT SCALE DRAWING		REVISION. O	
				FINISH. <b>LIGHT SPARK</b>		TITLE: <b>PART DRG FOR 2955-20 ONE ESCUTCHEON</b>			
DRAWN S.HARDINGE		SIGNED SJH	DATE 27/06/06	MATERIAL. <b>ABS</b>		DWG NO. <b>2955-20 One Escutcheon</b>		<b>A4</b>	
CHK'D -		-	-	PROJECTION. 		SCALE. 2 : 1		SHEET 1 OF 1	


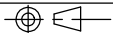


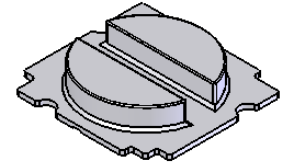
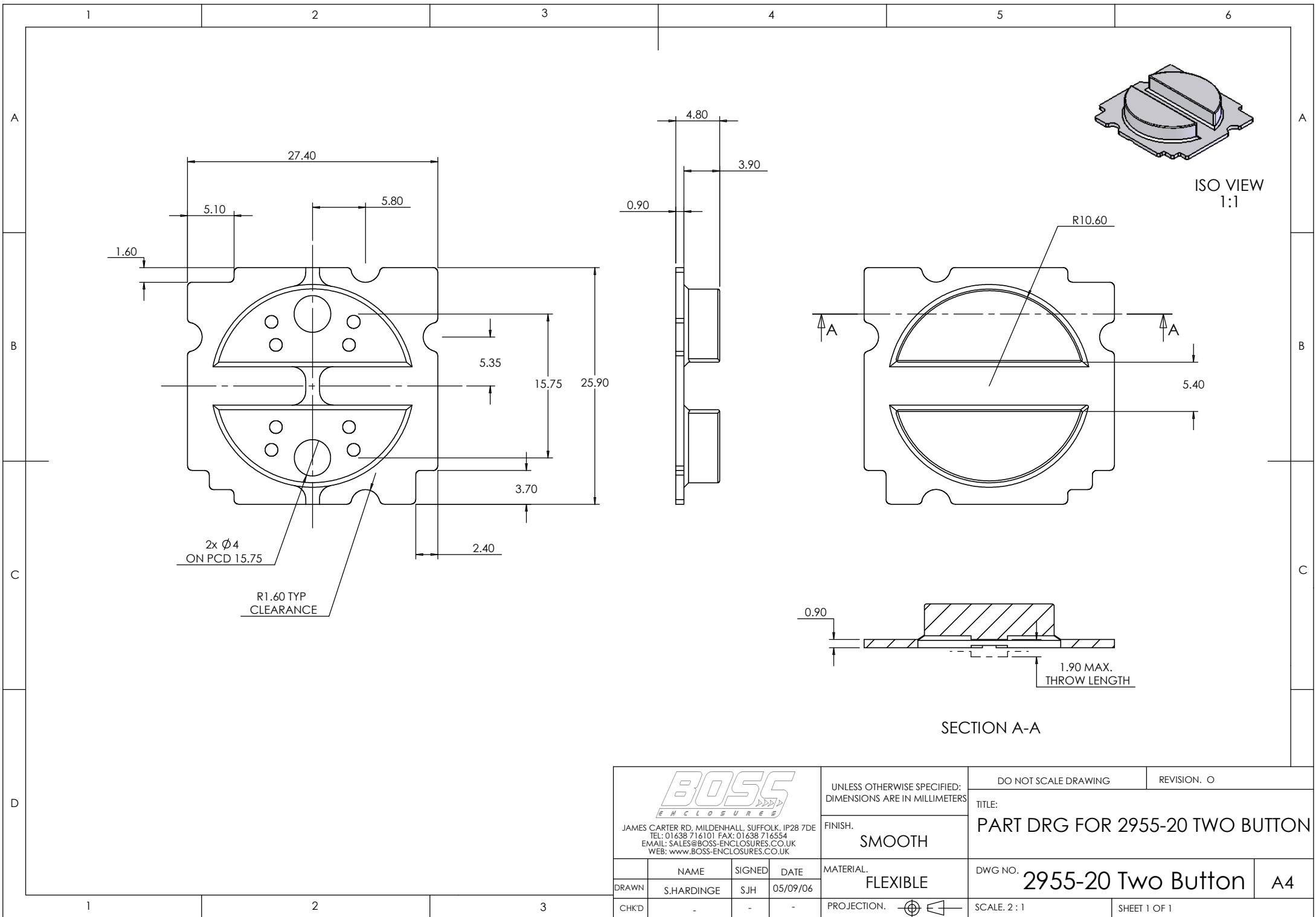
ISO VIEW  
1:1



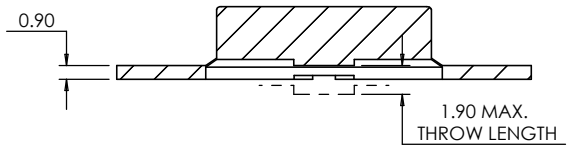
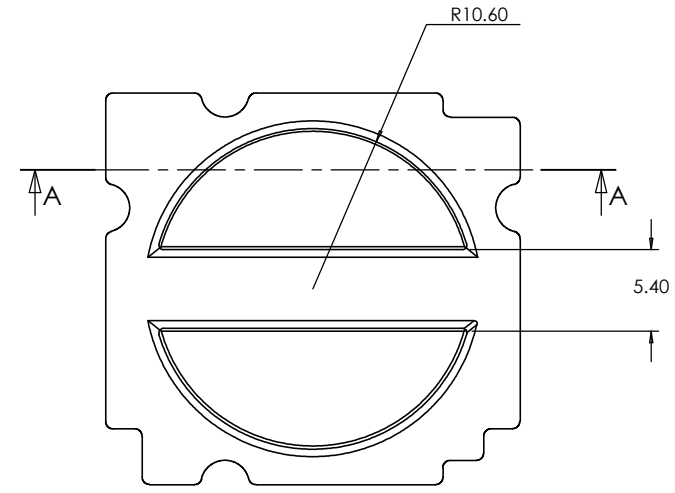
SECTION A-A




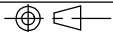
 JAMES CARTER RD, MILDENHALL, SUFFOLK, IP28 7DE TEL: 01638 716101 FAX: 01638 716554 EMAIL: SALES@BOSS-ENCLOSURES.CO.UK WEB: www.BOSS-ENCLOSURES.CO.UK				UNLESS OTHERWISE SPECIFIED: DIMENSIONS ARE IN MILLIMETERS		DO NOT SCALE DRAWING		REVISION. O	
				FINISH. LIGHT SPARK		TITLE: PART DRG FOR 29555-20 TWO-ESCUTCHEON			
DRAWN S.HARDINGE		SIGNED SJH	DATE 21/09/05	MATERIAL. ABS		DWG NO. 2955-20 Two Escutcheon		A4	
CHK'D -		-	-	PROJECTION. 		SCALE: 2:1		SHEET 1 OF 1	



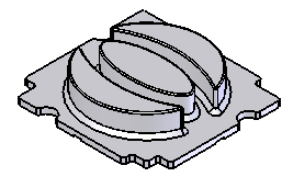
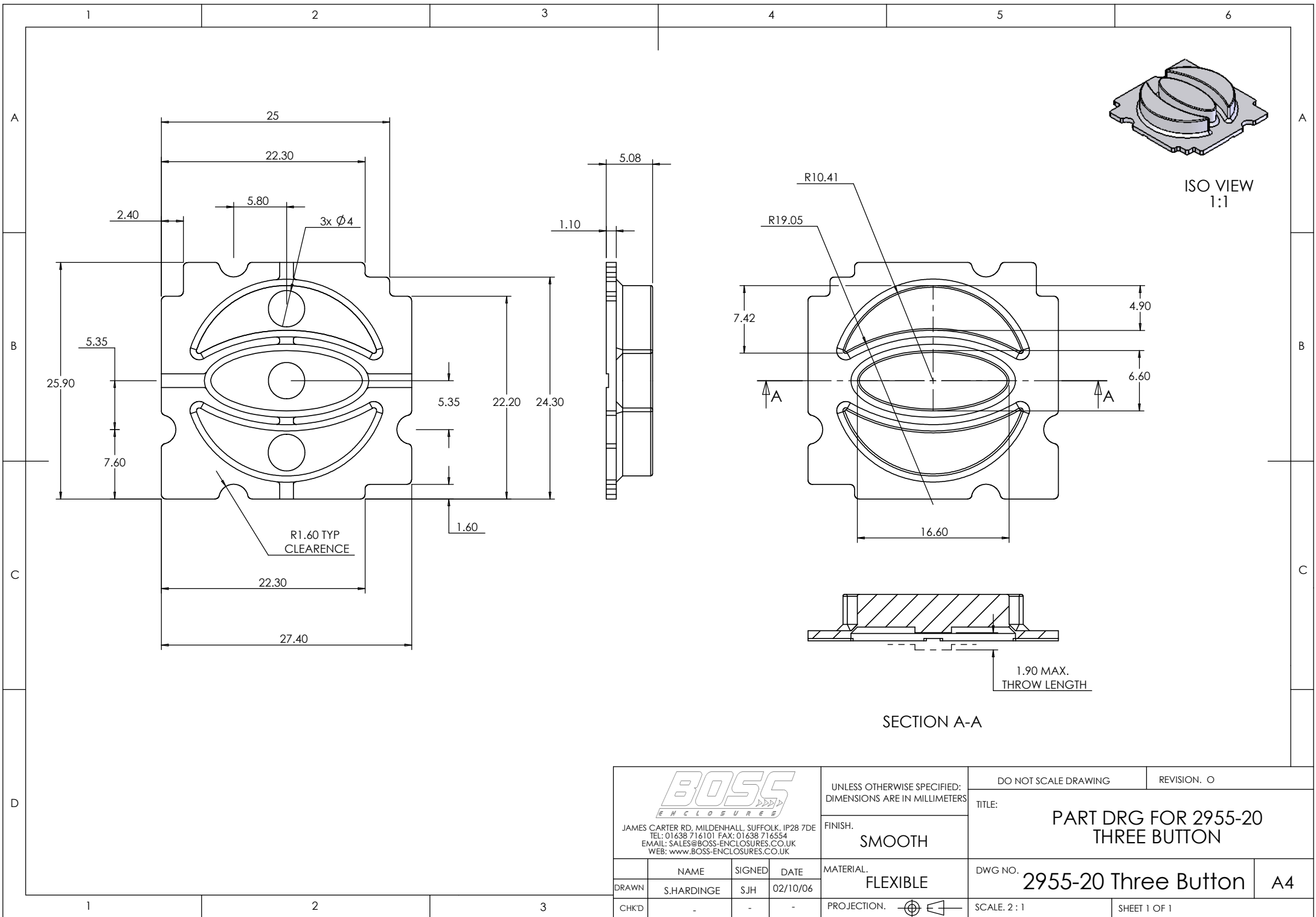
ISO VIEW  
1:1



SECTION A-A


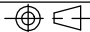
 JAMES CARTER RD, MILDENHALL, SUFFOLK, IP28 7DE TEL: 01638 716101 FAX: 01638 716554 EMAIL: SALES@BOSS-ENCLOSURES.CO.UK WEB: WWW.BOSS-ENCLOSURES.CO.UK				UNLESS OTHERWISE SPECIFIED: DIMENSIONS ARE IN MILLIMETERS		DO NOT SCALE DRAWING		REVISION. 0		
				FINISH. <b>SMOOTH</b>		TITLE: <b>PART DRG FOR 2955-20 TWO BUTTON</b>				
DRAWN S.HARDINGE		SIGNED SJH		DATE 05/09/06		MATERIAL. <b>FLEXIBLE</b>		DWG NO. <b>2955-20 Two Button</b>		A4
CHK'D -		-		-		PROJECTION. 		SCALE. 2:1		SHEET 1 OF 1

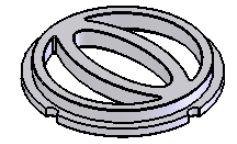
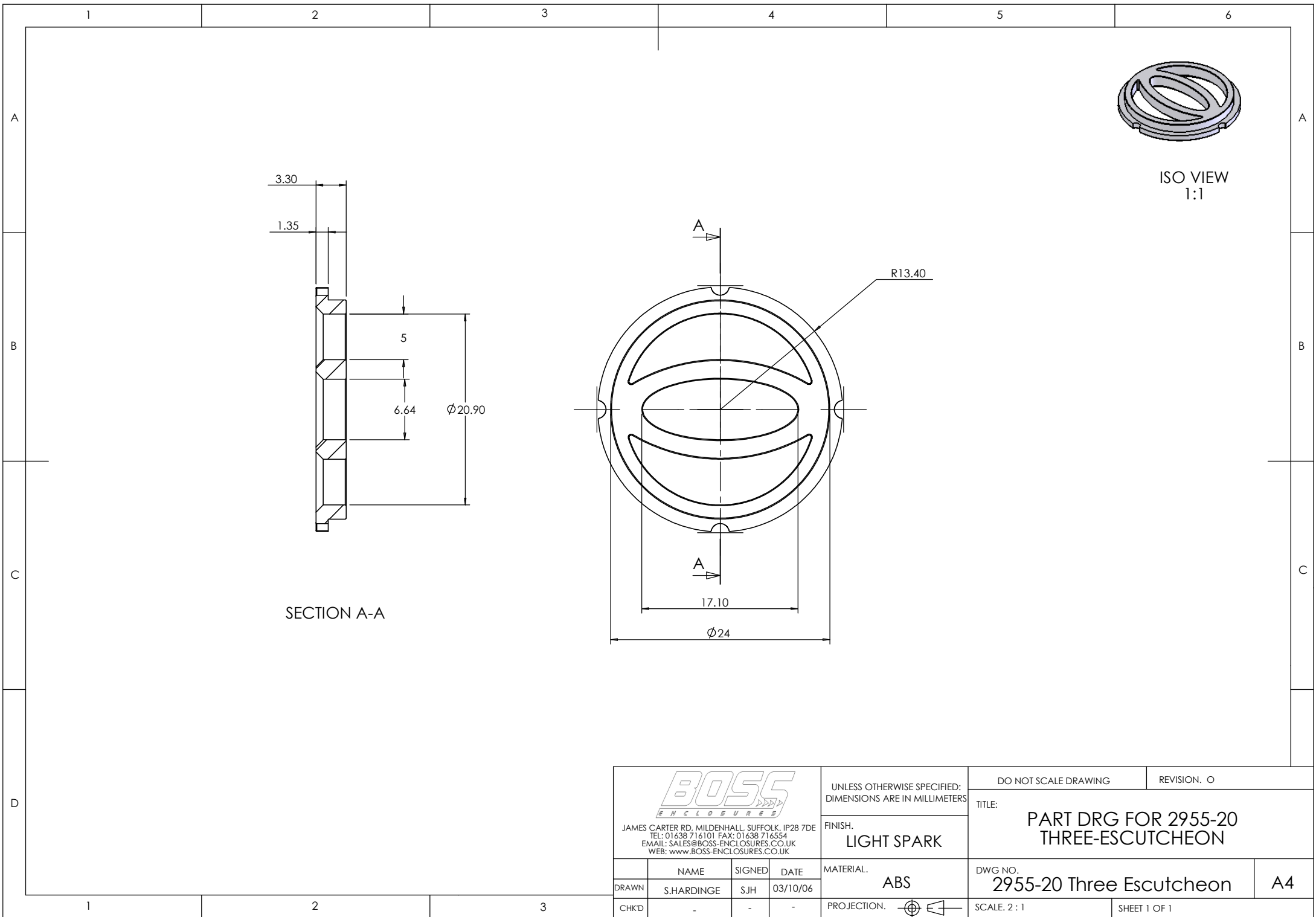




ISO VIEW  
1:1


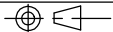
SECTION A-A

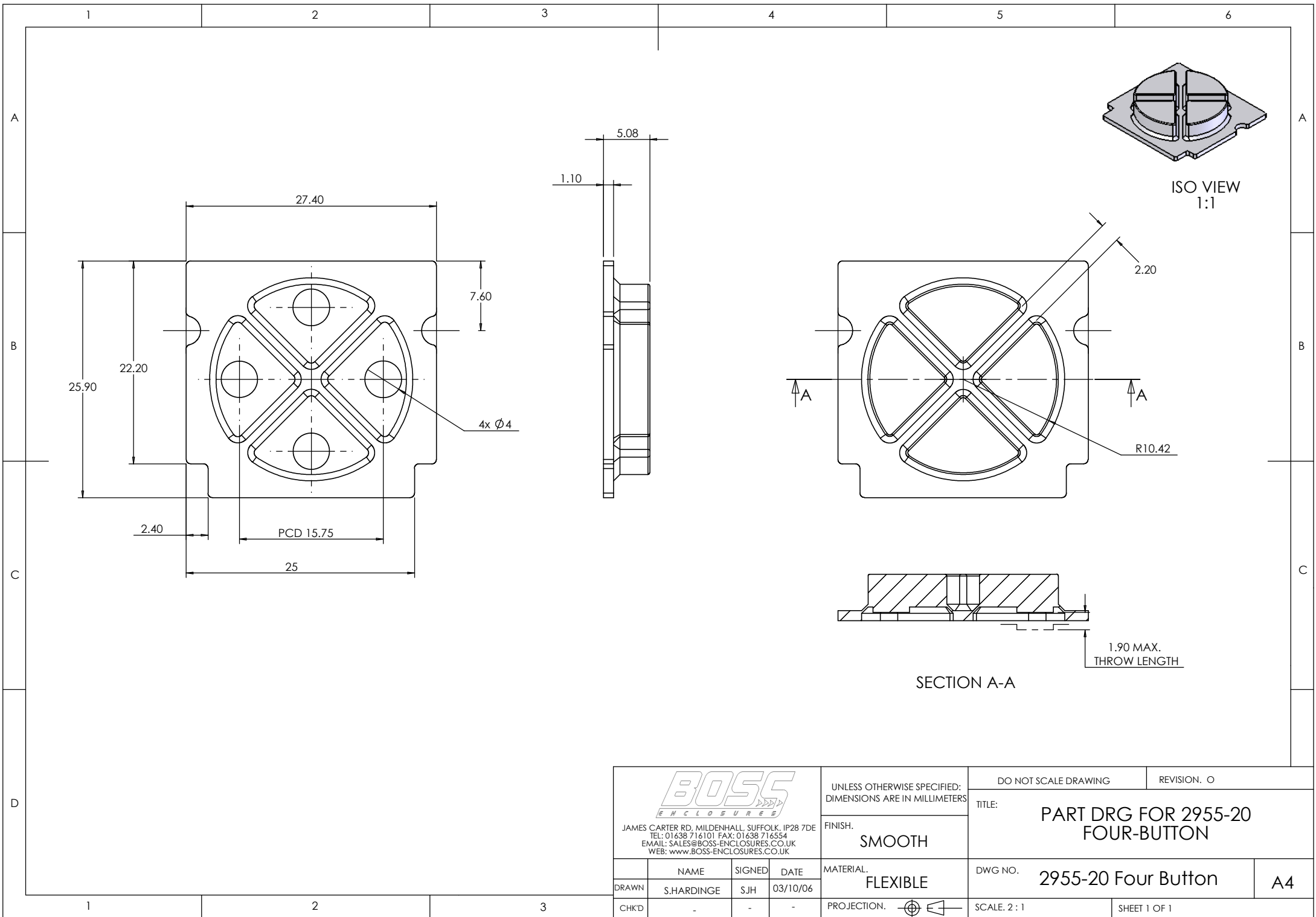
 JAMES CARTER RD, MILDENHALL, SUFFOLK, IP28 7DE TEL: 01638 716101 FAX: 01638 716554 EMAIL: SALES@BOSS-ENCLOSURES.CO.UK WEB: WWW.BOSS-ENCLOSURES.CO.UK				UNLESS OTHERWISE SPECIFIED: DIMENSIONS ARE IN MILLIMETERS		DO NOT SCALE DRAWING		REVISION. 0	
				FINISH. <b>SMOOTH</b>		TITLE: <b>PART DRG FOR 2955-20 THREE BUTTON</b>			
DRAWN S.HARDINGE		SIGNED SJH	DATE 02/10/06	MATERIAL. <b>FLEXIBLE</b>		DWG NO. <b>2955-20 Three Button</b>		A4	
CHK'D -		-	-	PROJECTION. 		SCALE. 2 : 1		SHEET 1 OF 1	


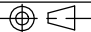


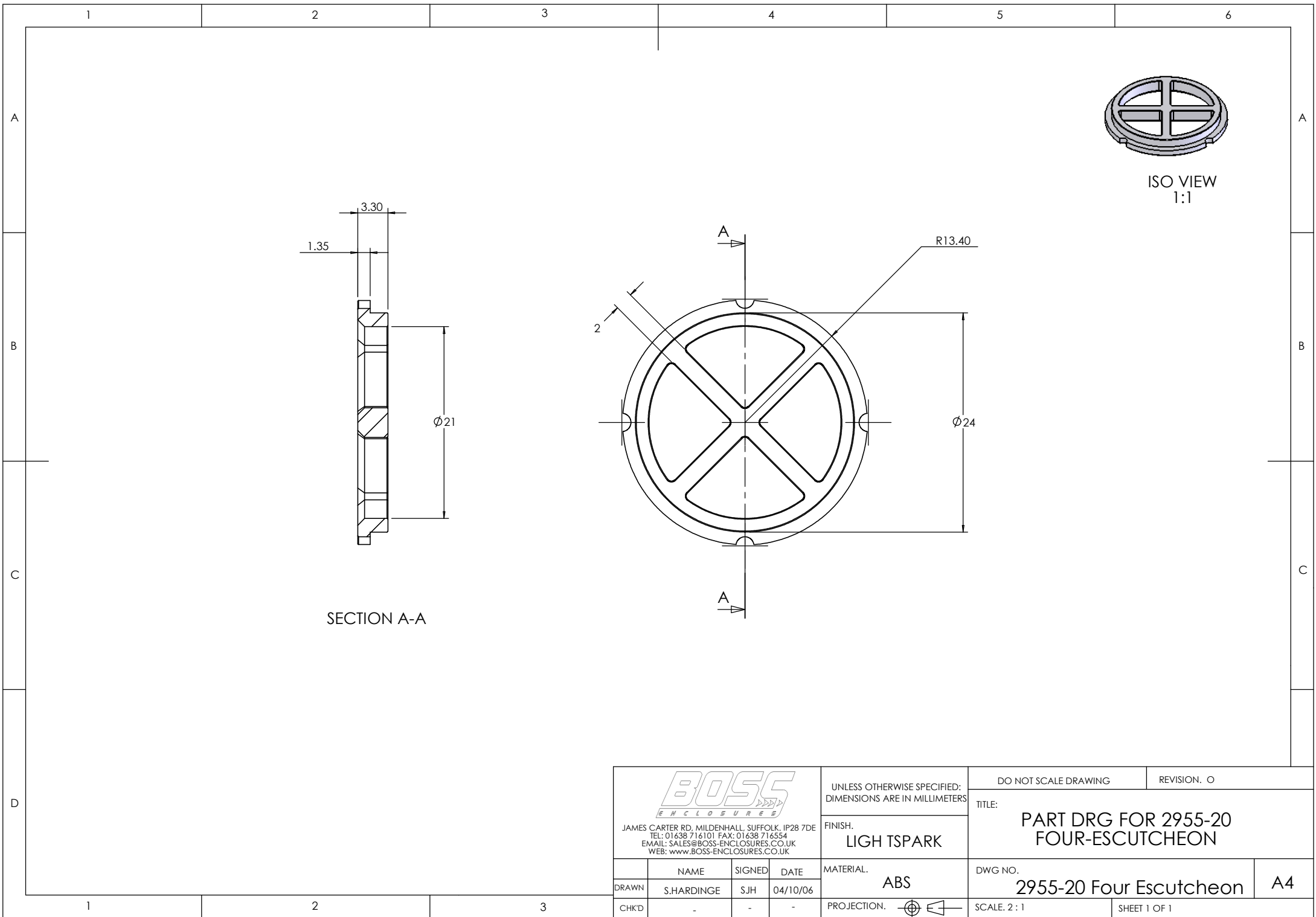
ISO VIEW  
1:1

SECTION A-A

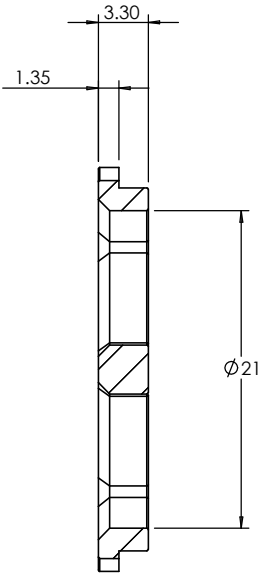
 JAMES CARTER RD, MILDENHALL, SUFFOLK, IP28 7DE TEL: 01638 716101 FAX: 01638 716554 EMAIL: SALES@BOSS-ENCLOSURES.CO.UK WEB: www.BOSS-ENCLOSURES.CO.UK				UNLESS OTHERWISE SPECIFIED: DIMENSIONS ARE IN MILLIMETERS		DO NOT SCALE DRAWING	REVISION. O
				FINISH. LIGHT SPARK		TITLE: PART DRG FOR 2955-20 THREE-ESCUTCHEON	
DRAWN	NAME S.HARDINGE	SIGNED SJH	DATE 03/10/06	MATERIAL. ABS	DWG NO. 2955-20 Three Escutcheon	A4	
CHK'D	-	-	-	PROJECTION. 	SCALE: 2 : 1	SHEET 1 OF 1	



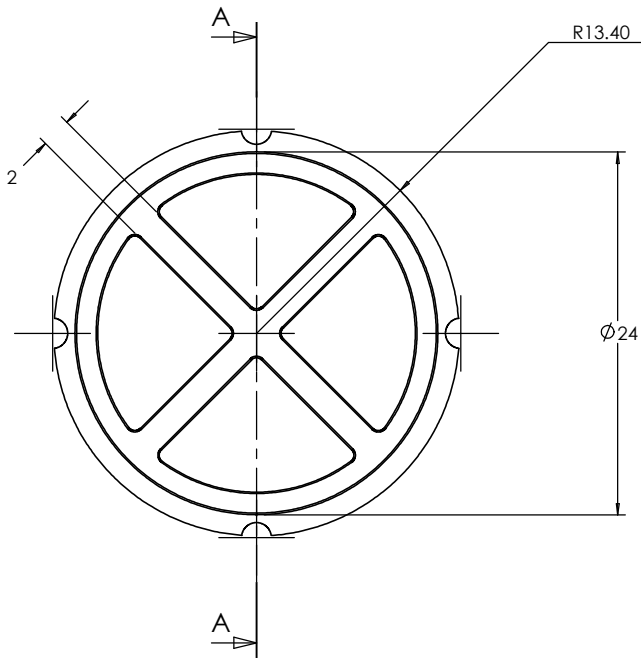
 JAMES CARTER RD, MILDENHALL, SUFFOLK, IP28 7DE TEL: 01638 716101 FAX: 01638 716554 EMAIL: SALES@BOSS-ENCLOSURES.CO.UK WEB: www.BOSS-ENCLOSURES.CO.UK				UNLESS OTHERWISE SPECIFIED: DIMENSIONS ARE IN MILLIMETERS		DO NOT SCALE DRAWING		REVISION. O	
				FINISH. <b>SMOOTH</b>		TITLE: <b>PART DRG FOR 2955-20 FOUR-BUTTON</b>			
MATERIAL. <b>FLEXIBLE</b>		DWG NO. <b>2955-20 Four Button</b>		<b>A4</b>		SCALE: 2 : 1		SHEET 1 OF 1	
DRAWN	S.HARDINGE	SJH	03/10/06	PROJECTION.					
CHK'D	-	-	-						


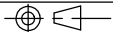


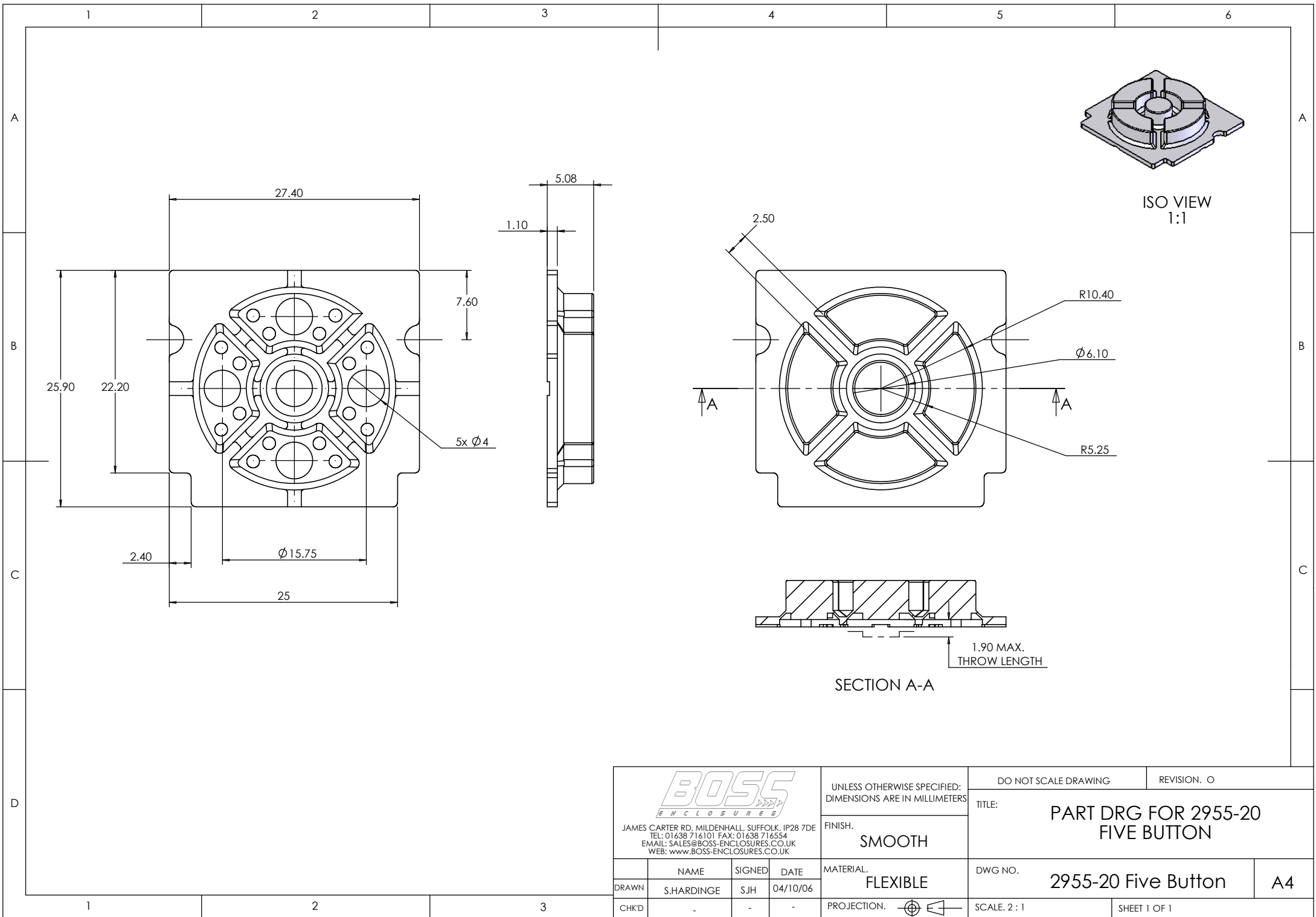
ISO VIEW  
1:1


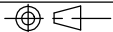


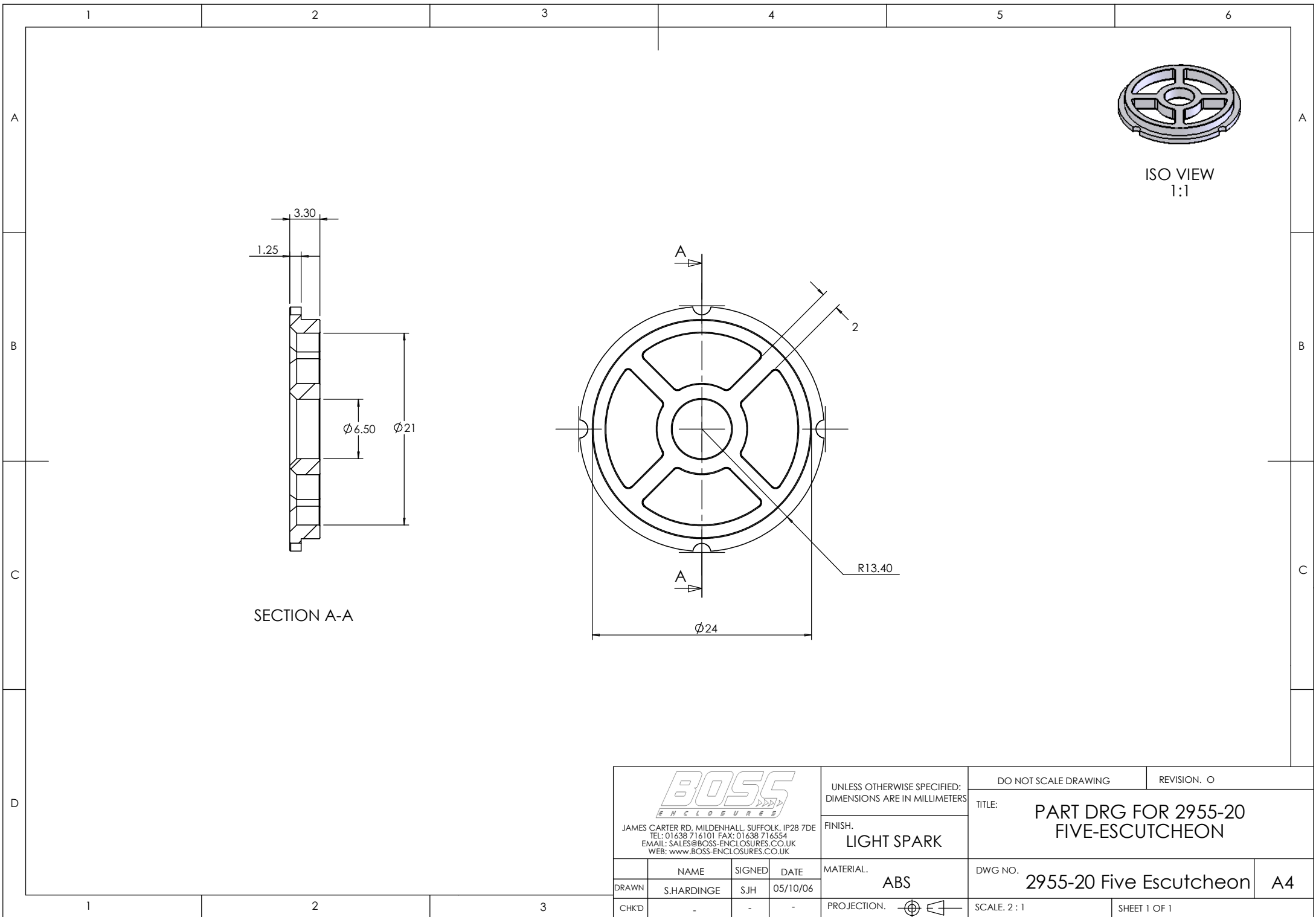
SECTION A-A



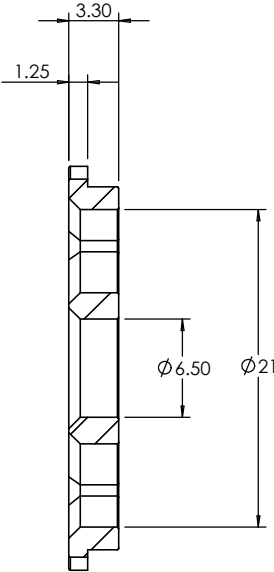
 JAMES CARTER RD, MILDENHALL, SUFFOLK, IP28 7DE TEL: 01638 716101 FAX: 01638 716554 EMAIL: SALES@BOSS-ENCLOSURES.CO.UK WEB: WWW.BOSS-ENCLOSURES.CO.UK				UNLESS OTHERWISE SPECIFIED: DIMENSIONS ARE IN MILLIMETERS		DO NOT SCALE DRAWING		REVISION. 0	
				FINISH. LIGH TSPARK		TITLE: PART DRG FOR 2955-20 FOUR-ESCUTCHEON			
DRAWN S.HARDINGE		SIGNED SJH	DATE 04/10/06	MATERIAL. ABS		DWG NO. 2955-20 Four Escutcheon		A4	
CHK'D -		-	-	PROJECTION. 		SCALE: 2 : 1		SHEET 1 OF 1	



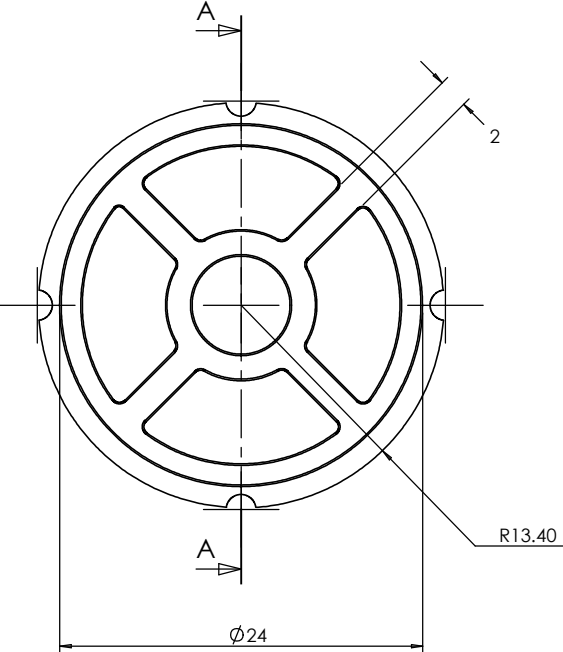
 JAMES CARTER RD, MILDENHALL, SUFFOLK, IP28 7DE TEL: 01638 716101 FAX: 01638 716554 EMAIL: SALES@BOSS-ENCLOSURES.CO.UK WEB: www.BOSS-ENCLOSURES.CO.UK				UNLESS OTHERWISE SPECIFIED: DIMENSIONS ARE IN MILLIMETERS		DO NOT SCALE DRAWING		REVISION. O	
				FINISH. <b>SMOOTH</b>		TITLE: <b>PART DRG FOR 2955-20 FIVE BUTTON</b>			
MATERIAL. <b>FLEXIBLE</b>		DWG NO. <b>2955-20 Five Button</b>		SCALE: 2 : 1		SHEET 1 OF 1		A4	
DRAWN	S.HARDINGE	SIGNED	SJH	DATE	04/10/06	PROJECTION.			
CHK'D	-	-	-	-	-				


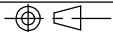


ISO VIEW  
1:1



SECTION A-A



 JAMES CARTER RD, MILDENHALL, SUFFOLK, IP28 7DE TEL: 01638 716101 FAX: 01638 716554 EMAIL: SALES@BOSS-ENCLOSURES.CO.UK WEB: www.BOSS-ENCLOSURES.CO.UK				UNLESS OTHERWISE SPECIFIED: DIMENSIONS ARE IN MILLIMETERS		DO NOT SCALE DRAWING		REVISION. O			
				FINISH. LIGHT SPARK		TITLE: PART DRG FOR 2955-20 FIVE-ESCUTCHEON					
DRAWN		NAME		SIGNED		DATE		MATERIAL.		DWG NO.	
S.HARDINGE		S.JH		05/10/06		ABS		2955-20 Five Escutcheon		A4	
CHK'D		-		-		-		PROJECTION.		SCALE: 2:1	
								SHEET 1 OF 1			