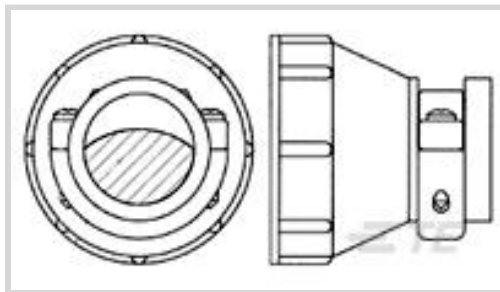




Connectors > Circular Connectors > Circular Connector Accessories > Unscreened Circular Connector Backshells & Clamps >

CPC CABLE CLAMPS EMEA



Backshell & Clamp Accessory Type: **Cable Clamp**

Compatible With Circular Connector Shell Size: **11**

Body Orientation: **Straight**

Accepts Cable Diameter (Max): **8.3 mm [ .329 in ]**

Protective Cover: **Without**

[All CPC CABLE CLAMPS EMEA \(5\)](#)

## Features

### Product Type Features

Product Type	Accessory
Backshell & Clamp Accessory Type	Cable Clamp
Protective Cover	Without

### Body Features

Cable Clamp Material	Thermoplastic
Cable Clamp Flammability Rating	UL 94V-0
Cable Clamp Color	Black

### Mechanical Attachment

Screw & Hole Thread Size	5/8-24 UNEF-2B
--------------------------	----------------

### Housing Features

Body Orientation	Straight
------------------	----------

### Dimensions

Accepts Cable Diameter (Max)	8.3 mm [.329 in]
------------------------------	------------------

### Operation/Application

Compatible With Circular Connector Shell Size	11
-----------------------------------------------	----

### Packaging Features

Packaging Quantity	100
Packaging Method	Individual

## Product Compliance

[For compliance documentation, visit the product page on TE.com>](#)

EU RoHS Directive 2011/65/EU	Compliant
EU ELV Directive 2000/53/EC	Compliant
China RoHS 2 Directive MIIT Order No 32, 2016	No Restricted Materials Above Threshold
EU REACH Regulation (EC) No. 1907/2006	Current ECHA Candidate List: JAN 2022 (223) Candidate List Declared Against: JUL 2021 (219) SVHC > Threshold: Not Yet Reviewed
Halogen Content	Out of Scope - excluded from Halogen requirements
Solder Process Capability	Not applicable for solder process capability

### Product Compliance Disclaimer

This information is provided based on reasonable inquiry of our suppliers and represents our current actual knowledge based on the information they provided. This information is subject to change. The part numbers that TE has identified as EU RoHS compliant have a maximum concentration of 0.1% by weight in homogenous materials for lead, hexavalent chromium, mercury, PBB, PBDE, DBP, BBP, DEHP, DIBP, and 0.01% for cadmium, or qualify for an exemption to these limits as defined in the Annexes of Directive 2011/65/EU (RoHS2). Finished electrical and electronic equipment products will be CE marked as required by Directive 2011/65/EU. Components may not be CE marked. Additionally, the part numbers that TE has identified as EU ELV compliant have a maximum concentration of 0.1% by weight in homogenous materials for lead, hexavalent chromium, and mercury, and 0.01% for cadmium, or qualify for an exemption to these limits as defined in the Annexes of Directive 2000/53/EC (ELV). Regarding the REACH Regulation, the information TE provides on SVHC in articles for this part number is based on the latest European Chemicals Agency (ECHA) 'Guidance on requirements for substances in articles' posted at this URL: <https://echa.europa.eu/guidance-documents/guidance-on-reach>

## Compatible Parts



Also in the Series | [AMP CPC](#)



Circular Connector Adapters(7)



Circular Connector Boots & Strain Relief(6)



Circular Connector Caps & Covers(16)



Circular Connector Hardware(3)



Circular Connector Keying Plugs(2)



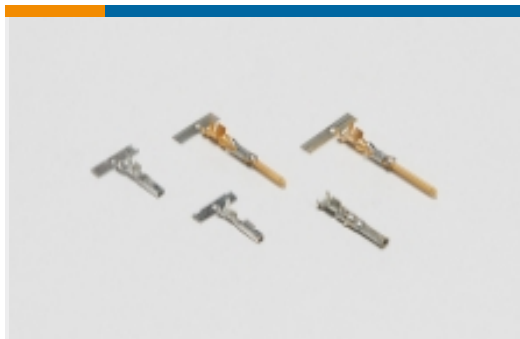
Circular Connector Seals(36)



Circular Power Connectors(511)



Insertion & Extraction Tools(1)



Power Contacts(6)



Sealing Sleeves(2)



Unscreened Circular Connector Backshells & Clamps(56)

## Customers Also Bought



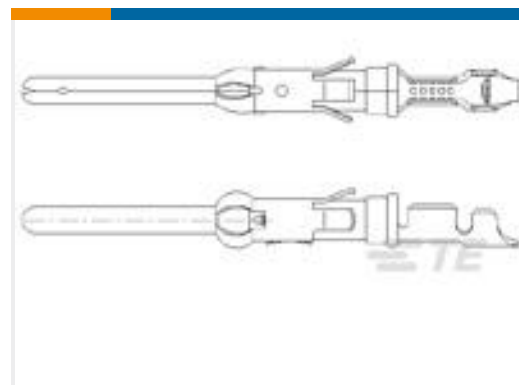
TE Part #205838-1  
CPC PLUG ASSEMBLY SIZE 11-8



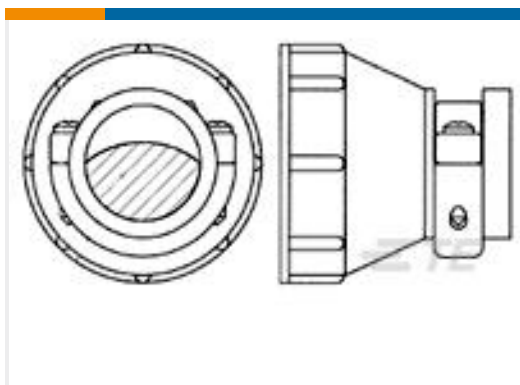
TE Part #206430-2  
CPC SERIES 1



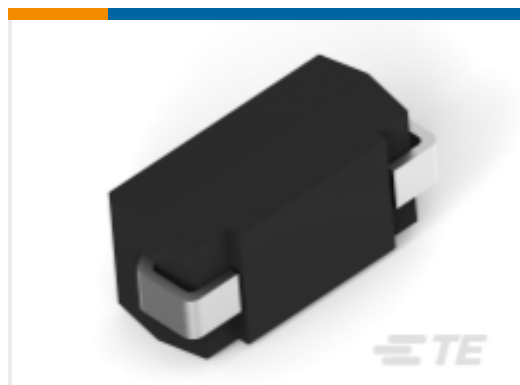
TE Part #182921-1  
CPC EMEA



TE Part #163082-1  
PIN, MALE



TE Part #182652-1  
23 SIZE CPC STD CLAMP



TE Part #1-2176323-5  
SMV 2W 1M5 5%



TE Part #C83714-000  
WP-508095-5-9

## Documents



### CAD Files

#### 3D PDF

English

#### Customer View Model

[ENG\\_CVM\\_182658-1\\_H.2d\\_dxf.zip](#)

English

#### Customer View Model

[ENG\\_CVM\\_182658-1\\_H.3d\\_igs.zip](#)

English

#### Customer View Model

[ENG\\_CVM\\_182658-1\\_H.3d\\_stp.zip](#)

English

By downloading the CAD file I accept and agree to the [Terms and Conditions](#) of use.

### Product Specifications

#### Application Specification

English

### Instruction Sheets

#### Instruction Sheet (U.S.)

English