

# Customer Information Sheet

DRAWING No.: S1791-42R

SHEET 2 OF 2

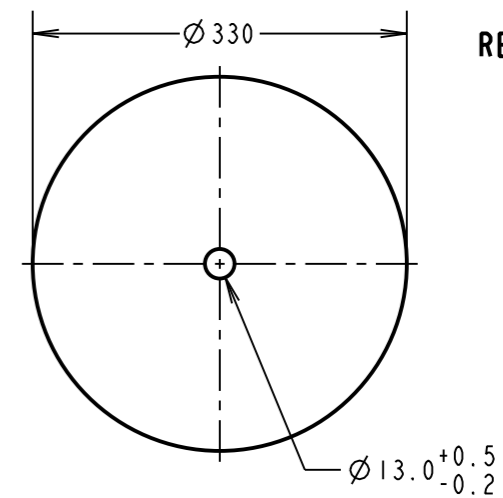
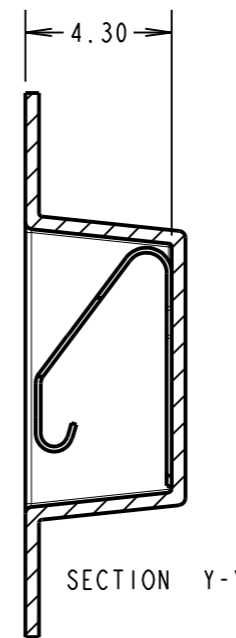
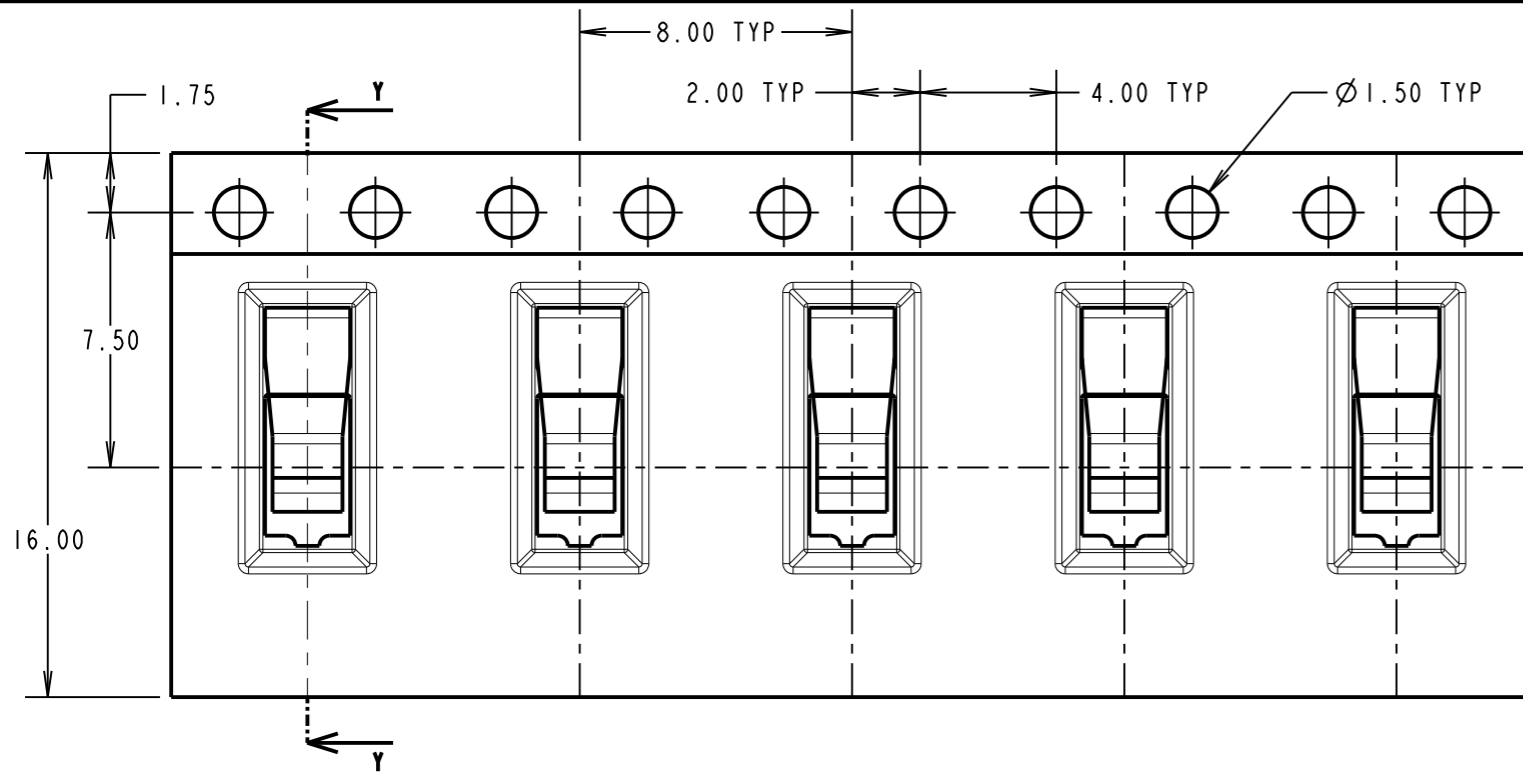
IF IN DOUBT - ASK

©

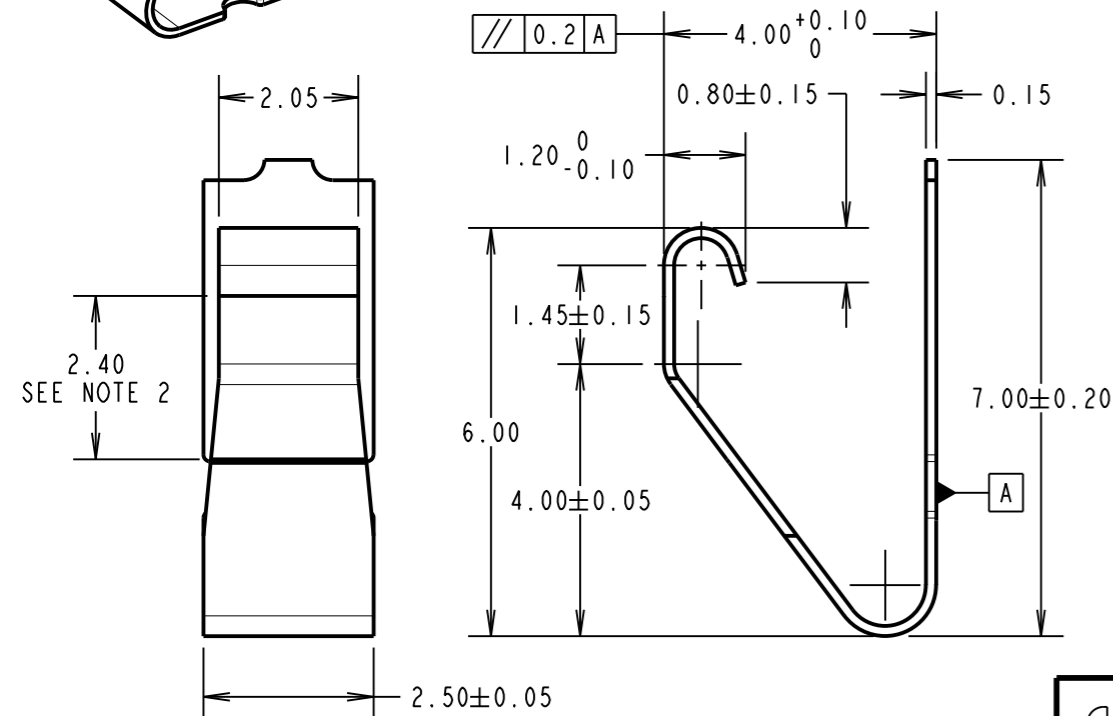
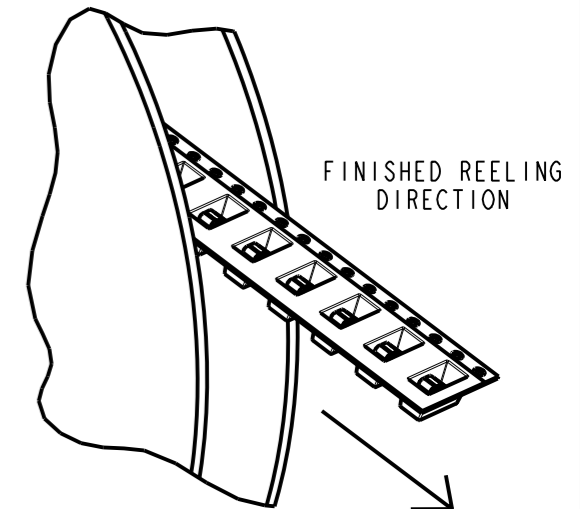
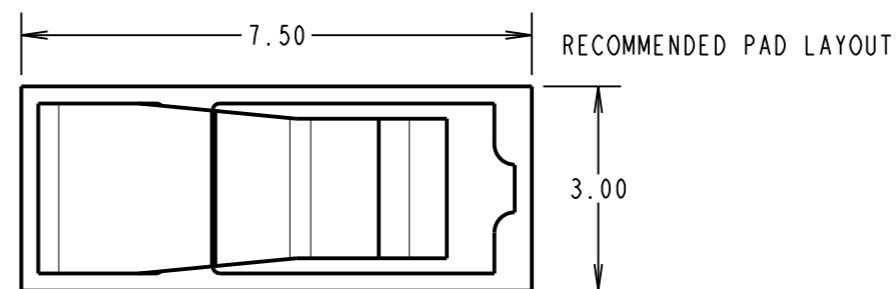
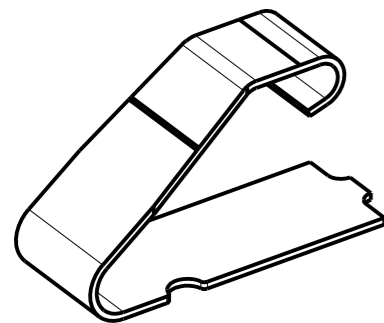
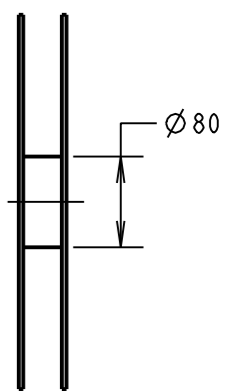
NOT TO SCALE

THIRD ANGLE PROJECTION

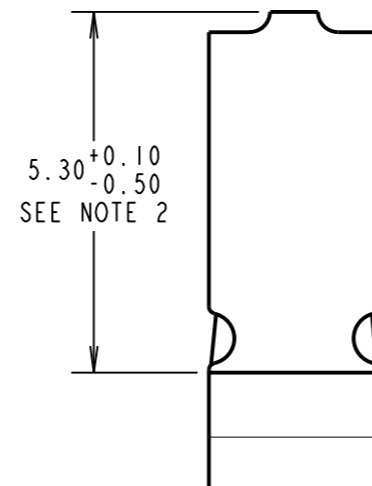
ALL DIMENSIONS IN mm



REEL DETAILS



COMPONENT DETAILS



NOTES:  
1. QUANTITY PER REEL = 2000.  
2. GOLD PLATED AREA.

COMPONENT SPECIFICATION:  
MATERIAL = TITANIUM COPPER ALLOY,  
0.15±0.01mm THICK  
FINISH = 0.76µ-1.27µ NICKEL, 0.05µ MIN FLASH  
ON CONTACT AND FOOT AREA.  
RECOMMENDED WORKING HEIGHT = 3.00mm / MIN FORCE = 1.0N  
MINIMUM WORKING HEIGHT = 2.00mm / MAX FORCE = 4.0N  
ELECTRICAL:  
CURRENT RATING = 3A

SB	5	19.06.13	12074
NAME	ISS.	DATE	C/NOTE
APPROVED:		S.BENNETT	
CHECKED:		M.PLESTED	
DRAWN:		N. CODLING	
CUSTOMER REF.:			
ASSEMBLY DRG:			

**HARWIN**

www.harwin.com  
technical@harwin.com

THIS DRAWING AND ANY INFORMATION OR DESCRIPTIVE MATTER SET OUT HEREON ARE CONFIDENTIAL AND COPYRIGHT PROPERTY OF THE HARWIN GROUP AND MUST NOT BE DISCLOSED, LOANED, COPIED OR USED FOR MANUFACTURING, TENDERING OR FOR ANY OTHER PURPOSE WITHOUT THEIR WRITTEN PERMISSION.

TOLERANCES  
X. = ±1mm  
X.X = ±0.25mm  
X.XX = ±0.10mm  
X.XXX = ±0.01mm  
ANGLES = ±5°  
UNLESS STATED

MATERIAL:  
SEE ABOVE  
FINISH: SEE ABOVE  
S/AREA: mm<sup>2</sup>

TITLE:  
S1791-42 EMI SHIELD FINGER  
IN TAPE AND REEL  
DRAWING NUMBER:  
**S1791-42R**

SHT  
2 OF 2