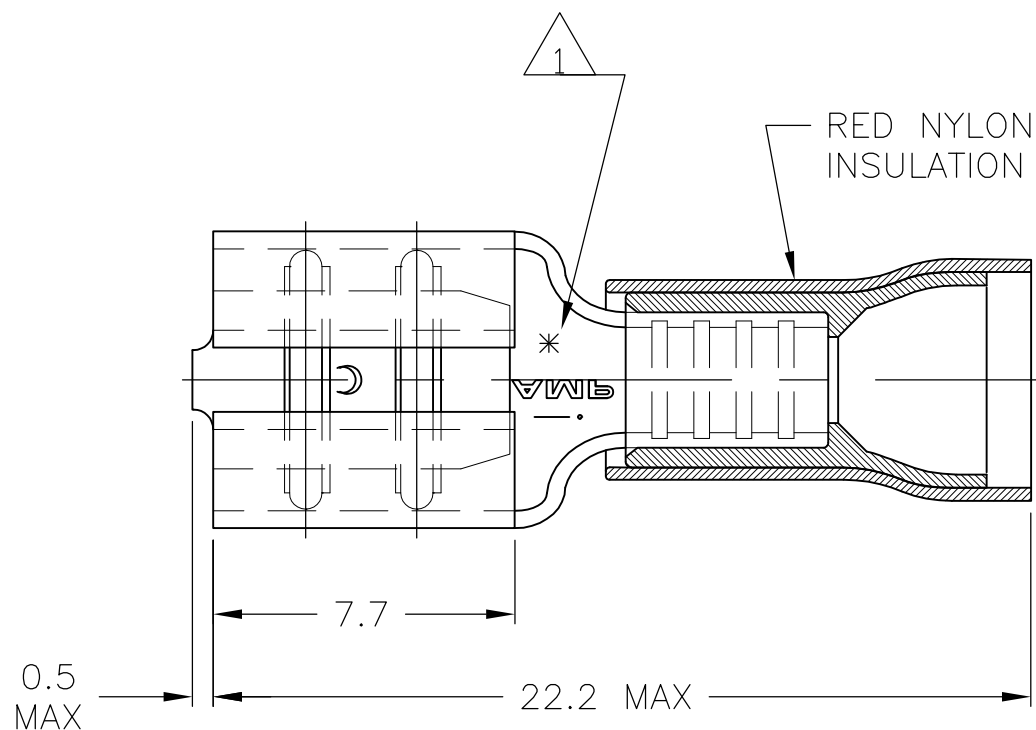


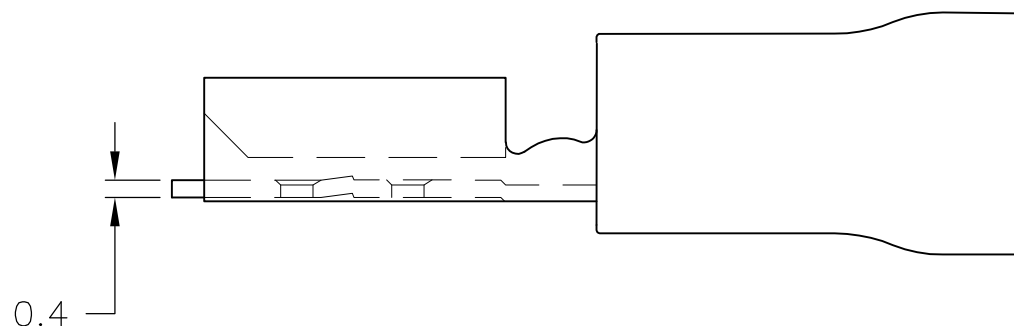
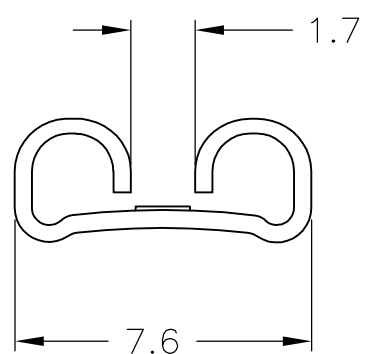
THIS DRAWING IS UNPUBLISHED. RELEASED FOR PUBLICATION

© COPYRIGHT BY TYCO ELECTRONICS CORPORATION. ALL RIGHTS RESERVED.

LOC	DIST	REVISIONS					
G	86	P	LTR	DESCRIPTION	DATE	DWN	APVD
			L4	REV PER ECR 08-028310	10NOV08	JR	TM



- △ 1 ASTERISK * FOR PHOS BRONZE VERSION ONLY.
- 2 WIRE RANGE: 0,3-1,5mm²
- 3 INSULATION RANGE: 3,5mm MAX DIA.
- 4 MATING TAB THK IS 0,8
- △ 5 SUPERSEDED BY 9-160583-5
- △ 6 SUPERSEDED BY 9-160583-6
- △ 7 SUPERSEDED BY 5-160583-2
- △ 8 SUPERSEDED BY 5-160583-5



TAPE MOUNTED	GOLD PLATED	△ 1 PHOS. BRONZE	5-160583-7	△ 8
	SILVER PLATED	△ 1 PHOS. BRONZE	5-160583-6	△ 8
	TIN PLATED	△ 1 PHOS. BRONZE	5-160583-5	
	GOLD PLATED	BRASS	5-160583-4	△ 7
	SILVER PLATED	BRASS	5-160583-3	△ 7
	TIN PLATED	BRASS	5-160583-2	
LOOSE PIECE	TIN-LEAD	△ 1 PHOS. BRONZE	9-160583-8	△ 5
	GOLD PLATED	△ 1 PHOS. BRONZE	9-160583-7	△ 6
	SILVER PLATED	△ 1 PHOS. BRONZE	9-160583-6	
	TIN PLATED	△ 1 PHOS. BRONZE	9-160583-5	
	GOLD PLATED	BRASS	9-160583-4	△ 6
	SILVER PLATED	BRASS	9-160583-3	△ 6
	TIN PLATED	BRASS	9-160583-2	
PACKAGE TYPE	FINISH	MATERIAL	PART NO.	

THIS DRAWING IS A CONTROLLED DOCUMENT.		DWN JR RUTH 25AUG2004	Tyco Electronics Corporation Harrisburg, Pa 17105-3608												
DIMENSIONS: mm		CHK T MICHELUTTI 25AUG04	NAME RECEPTACLE, FASTON, P.I.D.G., .250 SERIES												
TOLERANCES UNLESS OTHERWISE SPECIFIED:		APVD T MICHELUTTI 25AUG04	PRODUCT SPEC												
<table border="0"> <tr><td>0 PLC</td><td>± -</td></tr> <tr><td>1 PLC</td><td>± -</td></tr> <tr><td>2 PLC</td><td>± 0.38</td></tr> <tr><td>3 PLC</td><td>± -</td></tr> <tr><td>4 PLC</td><td>± -</td></tr> <tr><td>ANGLES</td><td>± -</td></tr> </table>		0 PLC	± -	1 PLC	± -	2 PLC	± 0.38	3 PLC	± -	4 PLC	± -	ANGLES	± -	APPLICATION SPEC	
0 PLC	± -														
1 PLC	± -														
2 PLC	± 0.38														
3 PLC	± -														
4 PLC	± -														
ANGLES	± -														
MATERIAL	FINISH	WEIGHT	SIZE A3	CAGE CODE 00779											
		DRAWING NO G-160583		RESTRICTED TO											
		CUSTOMER DRAWING		SCALE 4:1											
		SHEET 1 OF 1		REV L4											