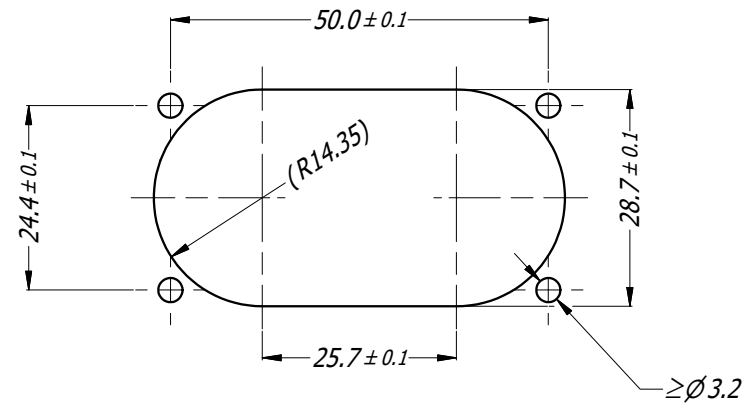
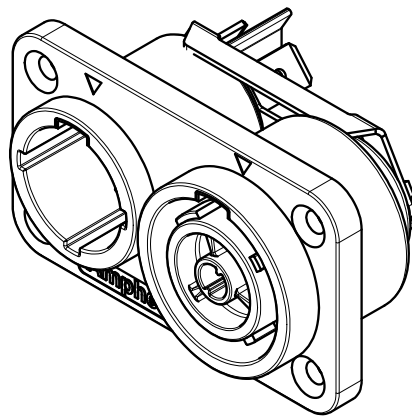
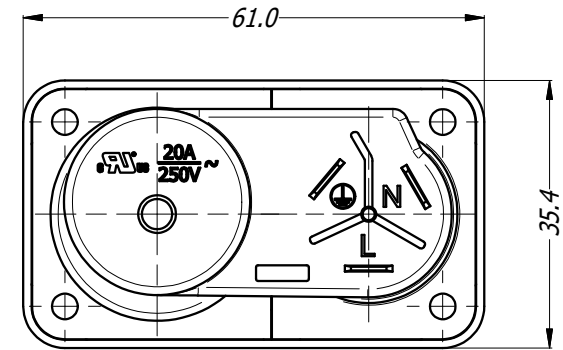
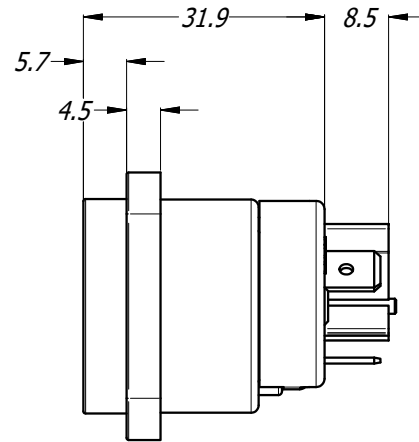
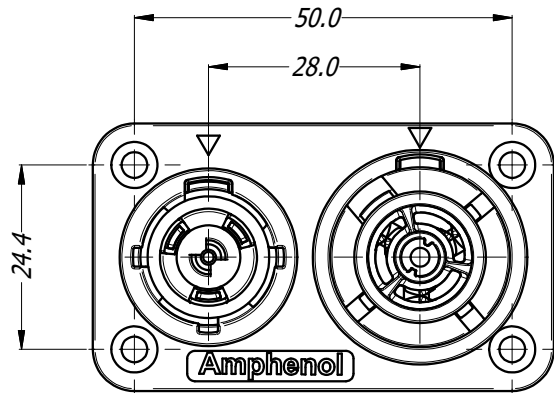


CAUS



PANEL CUTOUT

- NOTES:**
- USE SCREW #4 OR M3
 - SCREW TORQUE: 0.4 N-m (3.5 lb-in) MAX

UNLESS OTHERWISE SPECIFIED TOLERANCE TO BE		THIS DOCUMENT IS THE PROPERTY OF AMPHENOL AUSTRALIA PTY. LTD. NO PART THEREOF MAY BE REPRODUCED AND USED WITHOUT THE PRIOR WRITTEN CONSENT OF THE OWNER.				Amphenol Amphenol Australia Pty.Ltd, 22 Industry Blvd Carrum Downs, VIC 3201	
LINEAR	ANGULAR	MATERIAL:	DRN: T.N	DATE: 03/04/19	TITLE:	PART No:	REV
X ± 0.5	X' ± 1		CKD: P.M	DATE: 03/04/19	DUAL PANEL MOUNT	HPT-3-CC	1
X.X ± 0.1	X.X' ± 30'	FINISH:	APP'D: P.M	DATE: 03/04/19	MALE FEMALE HPT SERIES	DRAWING No.	SHEET
X.XX ± 0.05	X.XX" ± 15'		SCALE: 1:1	SIZE: A4	CUSTOMER DWG	55011084-000	3/4
BREAK ALL SHARP EDGES AND REMOVE ALL BURRS		DIMENSIONS IN MILLIMETRES		THIRD ANGLE PROJECTION		CB4.17.F1	
DO NOT SCALE							

Mouser Electronics

Authorized Distributor

Click to View Pricing, Inventory, Delivery & Lifecycle Information:

[Amphenol:](#)

[HPT-3-CC](#)