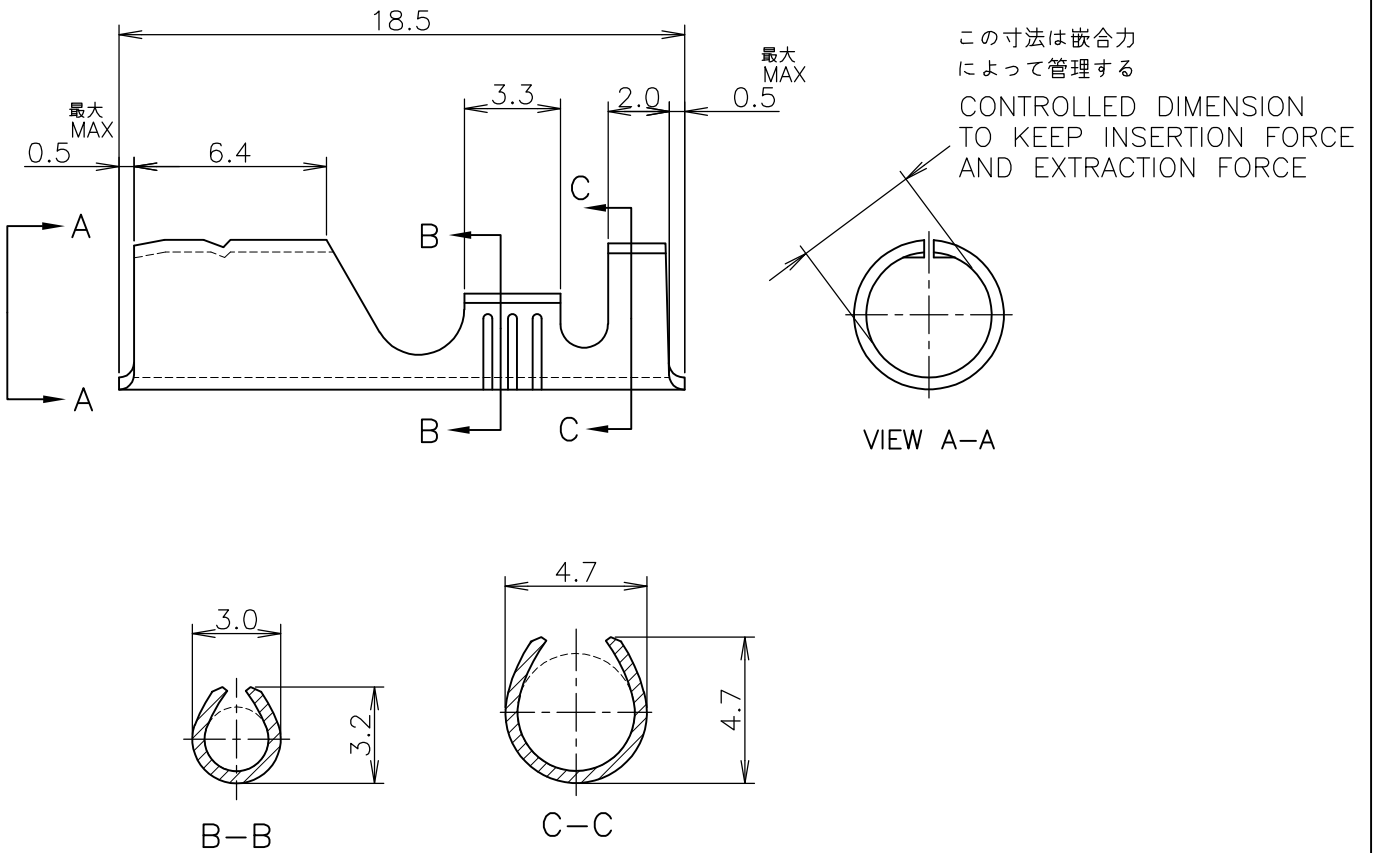


LOC J	DIST /	REVISIONS 変更			DATE	DWN	APVD
P	LTR	DESCRIPTION	DATE	DWN	APVD		
	B	REDRAWN ECR-11-012298	15JUN2011	T.T	T.M		

-*; AS SHOWN



JAN 1, 1974.

RELEASED FOR PUBLICATION

ALL RIGHTS RESERVED.


COPYRIGHT 1974 By Tyco Electronics Japan C.K.

THIS DRAWING IS UNPUBLISHED.

0.50~2.27 (AWG#20~#14)	108-5003	φ5	170020-3	—H—	黄銅 板厚0.40 (BRASS) 0.40t	170021-3
0.50~2.27 (AWG#20~#14)	108-5003	φ5	170020-2	ELECTRIC TIN PLATED 電気錫めっき	黄銅 板厚0.40 (BRASS) 0.40t	170021-2
0.50~1.42 (AWG#20~#16)	108-5004	φ4	170020-1	ELECTRIC TIN PLATED 電気錫めっき	黄銅 板厚0.32 (BRASS) 0.32t	170021-1

WIRE RANGE 適用電線範囲	PRODUCT SPEC NO. 製品規格番号	CLASS 分類	MATE PART NO. 嵌合相手型番	FINISH 仕上	MATERIAL 材料	PART NO. 端子型番
----------------------	----------------------------	-------------	-------------------------	--------------	----------------	------------------

CLASS 分類	SEE TABLE 表参照	TOOL NO. 適用工具型番	2088544-1	WIRE RANGE 包含電線断面積	表参照	INSULATION DIA 被覆外径	2.2~3.1 mmφ
-------------	------------------	--------------------	-----------	-----------------------	-----	------------------------	-------------

DIMENSIONS: 単位: 耗 mm	DWN T.TSUZAKI	15JUN2011	MATERIAL 材料	表参照	SEE TABLE	FINISH 仕上	表参照	SEE TABLE
	CHK T.MASUDA	15JUN2011	 TE Connectivity					
TOLERANCES UNLESS OTHERWISE SPECIFIED: 一般公差	APVD T.MASUDA	15JUN2011						
0 PLC ±	PRODUCT SPEC 製品規格		NAME 名称					
1 PLC ± ±0.4	SEE TABLE							
2 PLC ±	APPLICATION SPEC 取付適用規格		SIZE					
3 PLC ±								
4 PLC ±			CAGE CODE		DRAWING NO 番号		RESTRICTED TO	
ANGLES ± 1°			A4		00779		C-170021	
WEIGHT			CUSTOMER DRAWING					
			SCALE 尺度		4:1		SHEET 1 OF 1	
			REV B					

Mouser Electronics

Authorized Distributor

Click to View Pricing, Inventory, Delivery & Lifecycle Information:

[TE Connectivity:](#)

[170021-3](#)