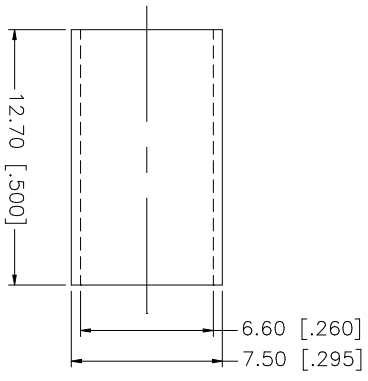
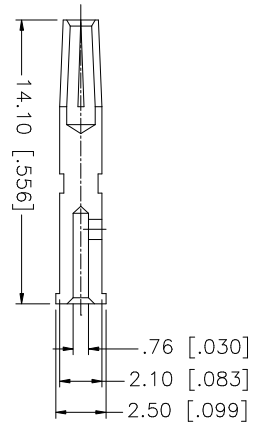
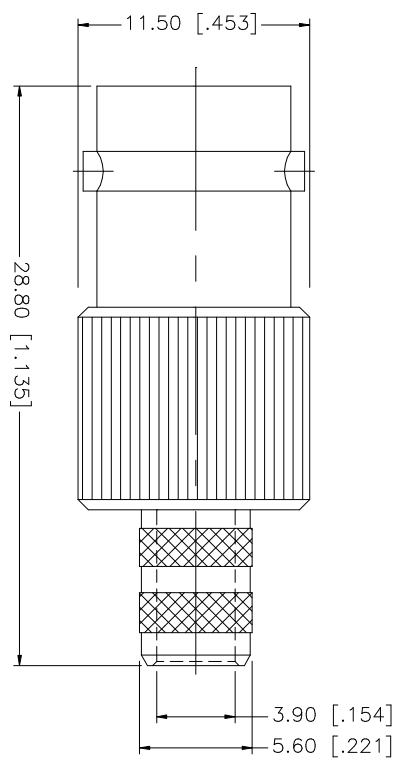
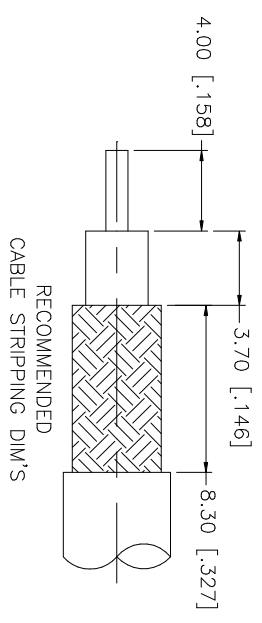


REV.	DATE	DESCRIPTION
NC	05/01/04	INITIAL RELEASE
A	08/15/06	REVISE NOTE: 1 - HEX CRIMP SIZE .255"



NOTE:
 1. CRIMPED FERRULE
 HEX CRIMP SIZE .255"
 2. CRIMPED CONTACT PIN
 HEX CRIMP SIZE .068"

DESCRIPTION	MATERIAL	FINISH	QTY	UNLESS OTHERWISE SPECIFIED DIMENSIONS ARE IN MILLIMETERS, DIMENSIONS IN [] ARE IN INCHES AND FOR CUSTOMER REFERENCE ONLY.	UNLESS OTHERWISE SPECIFIED TOLERANCES FOR MILLIMETERS ARE:	UNLESS OTHERWISE SPECIFIED TOLERANCES FOR INCHES ARE:	APPROVALS	DATE	PART DESCRIPTION	DWG. NO.	REV.	SIZE	SCALE
8					0.5 - 8mm ± 0.20mm	.020 - .315 = ± 0.007"	DRAWN	08/15/06	Amphenol Comtex BNC CRIMP JACK (FOR RG-59/U CABLE) 75 ohms	112147.DWG	A	A	NA
7				8 - 30mm ± 0.40mm	.315 - 1.180 = ± 0.015"	CHECKED							
6				30 - 120mm ± 0.50mm	1.180 - 4.724 = ± 0.020"	ISSUED							
5	FERRULE	COPPER	1										
4	CONTACT PIN	PHOS. BRONZE	1										
3	INSULATOR	TEFLON	1										
2	HOUSING/BODY	BRASS	1										
1	DESCRIPTION												

UNLESS OTHERWISE SPECIFIED DIMENSIONS ARE IN MILLIMETERS, DIMENSIONS IN [] ARE IN INCHES AND FOR CUSTOMER REFERENCE ONLY.
 UNLESS OTHERWISE SPECIFIED TOLERANCES FOR MILLIMETERS ARE:
 0.5 - 8mm ± 0.20mm
 8 - 30mm ± 0.40mm
 30 - 120mm ± 0.50mm
 UNLESS OTHERWISE SPECIFIED TOLERANCES FOR INCHES ARE:
 .020 - .315 = ± 0.007"
 .315 - 1.180 = ± 0.015"
 1.180 - 4.724 = ± 0.020"

DO NOT SCALE DRAWING
 CAD FILE C:/112/112147.DWG
 APPROVALS
 G.R.S.
 SHEET 1 OF 1

Mouser Electronics

Authorized Distributor

Click to View Pricing, Inventory, Delivery & Lifecycle Information:

[Amphenol:](#)

[112147](#)