



Is Now Part of



ON Semiconductor®

To learn more about ON Semiconductor, please visit our website at
www.onsemi.com

Please note: As part of the Fairchild Semiconductor integration, some of the Fairchild orderable part numbers will need to change in order to meet ON Semiconductor's system requirements. Since the ON Semiconductor product management systems do not have the ability to manage part nomenclature that utilizes an underscore (_), the underscore (_) in the Fairchild part numbers will be changed to a dash (-). This document may contain device numbers with an underscore (_). Please check the ON Semiconductor website to verify the updated device numbers. The most current and up-to-date ordering information can be found at www.onsemi.com. Please email any questions regarding the system integration to Fairchild_questions@onsemi.com.

ON Semiconductor and the ON Semiconductor logo are trademarks of Semiconductor Components Industries, LLC dba ON Semiconductor or its subsidiaries in the United States and/or other countries. ON Semiconductor owns the rights to a number of patents, trademarks, copyrights, trade secrets, and other intellectual property. A listing of ON Semiconductor's product/patent coverage may be accessed at www.onsemi.com/site/pdf/Patent-Marking.pdf. ON Semiconductor reserves the right to make changes without further notice to any products herein. ON Semiconductor makes no warranty, representation or guarantee regarding the suitability of its products for any particular purpose, nor does ON Semiconductor assume any liability arising out of the application or use of any product or circuit, and specifically disclaims any and all liability, including without limitation special, consequential or incidental damages. Buyer is responsible for its products and applications using ON Semiconductor products, including compliance with all laws, regulations and safety requirements or standards, regardless of any support or applications information provided by ON Semiconductor. "Typical" parameters which may be provided in ON Semiconductor data sheets and/or specifications can and do vary in different applications and actual performance may vary over time. All operating parameters, including "Typicals" must be validated for each customer application by customer's technical experts. ON Semiconductor does not convey any license under its patent rights nor the rights of others. ON Semiconductor products are not designed, intended, or authorized for use as a critical component in life support systems or any FDA Class 3 medical devices or medical devices with a same or similar classification in a foreign jurisdiction or any devices intended for implantation in the human body. Should Buyer purchase or use ON Semiconductor products for any such unintended or unauthorized application, Buyer shall indemnify and hold ON Semiconductor and its officers, employees, subsidiaries, affiliates, and distributors harmless against all claims, costs, damages, and expenses, and reasonable attorney fees arising out of, directly or indirectly, any claim of personal injury or death associated with such unintended or unauthorized use, even if such claim alleges that ON Semiconductor was negligent regarding the design or manufacture of the part. ON Semiconductor is an Equal Opportunity/Affirmative Action Employer. This literature is subject to all applicable copyright laws and is not for resale in any manner.

FAN7392

High-Current, High- and Low-Side, Gate-Drive IC

Features

- Floating Channel for Bootstrap Operation to +600V
- 3A/3A Sourcing/Sinking Current Driving Capability
- Common-Mode dv/dt Noise Canceling Circuit
- 3.3V Logic Compatible
- Separate Logic Supply (V_{DD}) Range from 3.3V to 20V
- Under-Voltage Lockout for V_{CC} and V_{BS}
- Cycle-by-Cycle Edge-Triggered Shutdown Logic
- Matched Propagation Delay for Both Channels
- Outputs In-phase with Input Signals
- Available in 14-DIP and 16-SOP (Wide) Packages

Applications

- High-Speed Power MOSFET and IGBT Gate Driver
- Server Power Supply
- Uninterrupted Power Supply (UPS)
- Telecom System Power Supply
- Distributed Power Supply
- Motor Drive Inverter

Description

The FAN7392 is a monolithic high- and low-side gate drive IC, that can drive high-speed MOSFETs and IGBTs that operate up to +600V. It has a buffered output stage with all NMOS transistors designed for high pulse current driving capability and minimum cross-conduction. Fairchild's high-voltage process and common-mode noise canceling techniques provide stable operation of the high-side driver under high dv/dt noise circumstances. An advanced level-shift circuit offers high-side gate driver operation up to $V_S = -9.8V$ (typical) for $V_{BS} = 15V$. Logic inputs are compatible with standard CMOS or LSTTL output, down to 3.3V logic. The UVLO circuit prevents malfunction when V_{CC} and V_{BS} are lower than the specified threshold voltage. The high-current and low-output voltage drop feature makes this device suitable for half- and full-bridge inverters, like switching-mode power supply and high-power DC-DC converter applications.

14-PDIP



16-SOP



Ordering Information

Part Number	Operating Temperature Range	Package	Packing Method
FAN7392N	-40°C to +125°C	14-PDIP	Tube
FAN7392M		16-SOP	Tube
FAN7392MX			Tape and Reel

Typical Application Diagrams

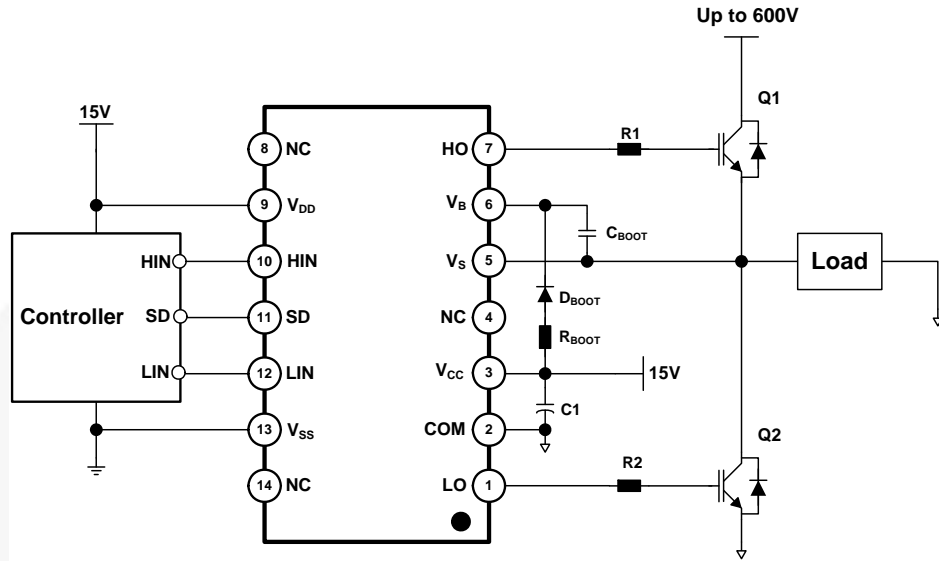


Figure 1. Typical Application Circuit (Referenced 14-DIP)

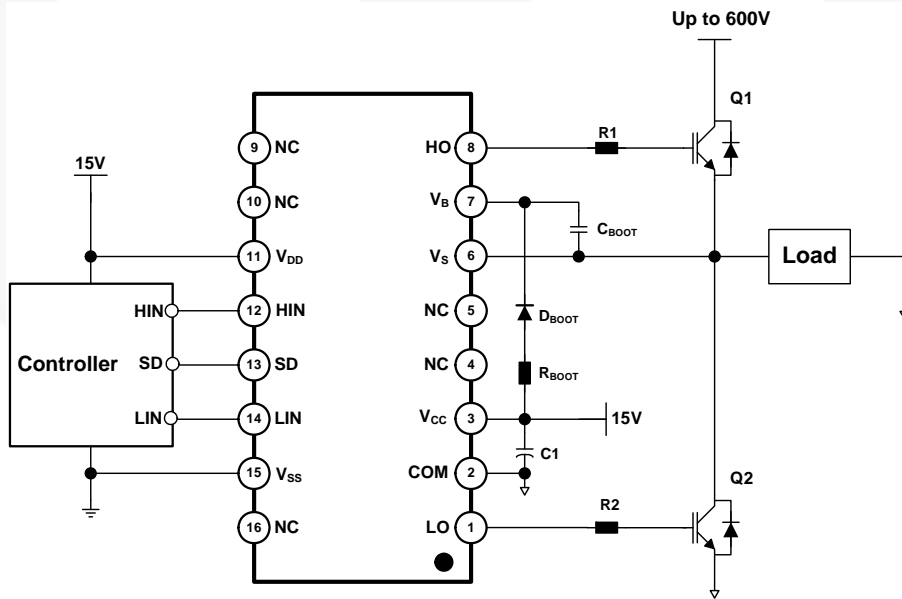


Figure 2. Typical Application Circuit (Referenced 16-SOP)

Internal Block Diagram

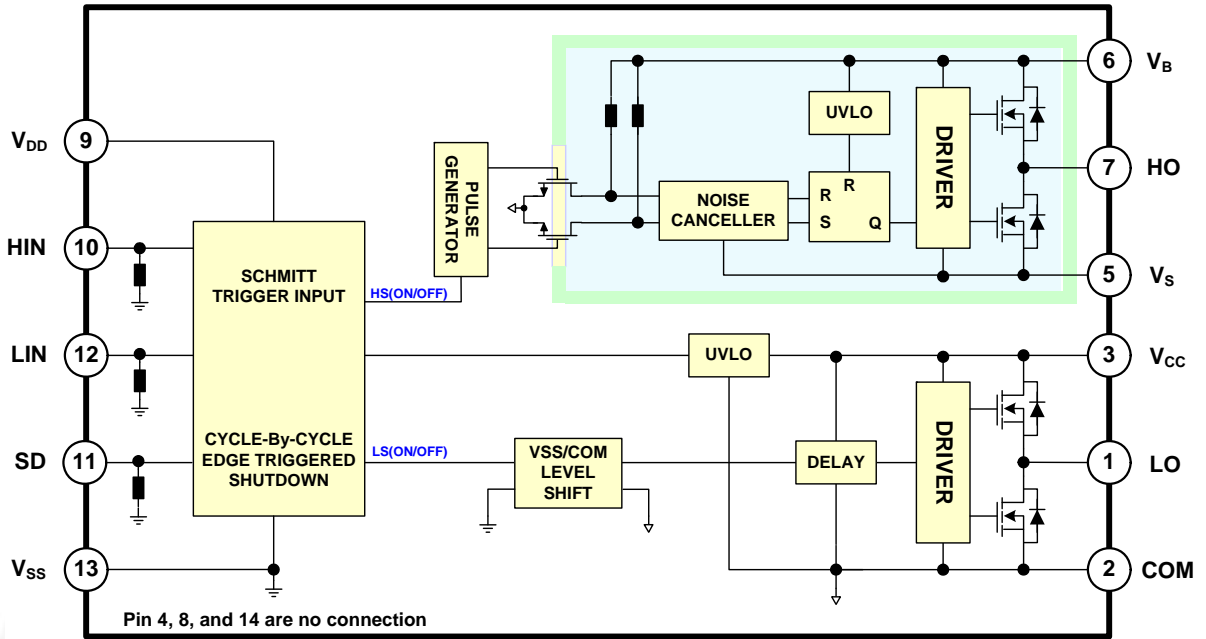


Figure 3. Functional Block Diagram (Referenced 14-Pin)

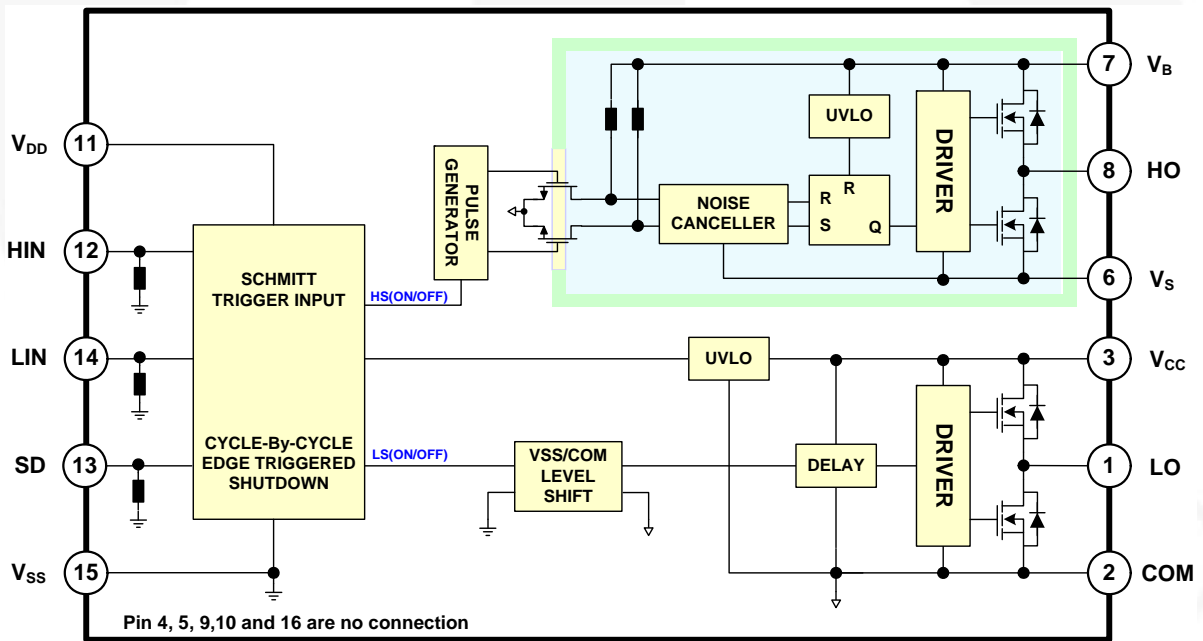


Figure 4. Functional Block Diagram (Referenced 16-SOP)

Pin Configuration

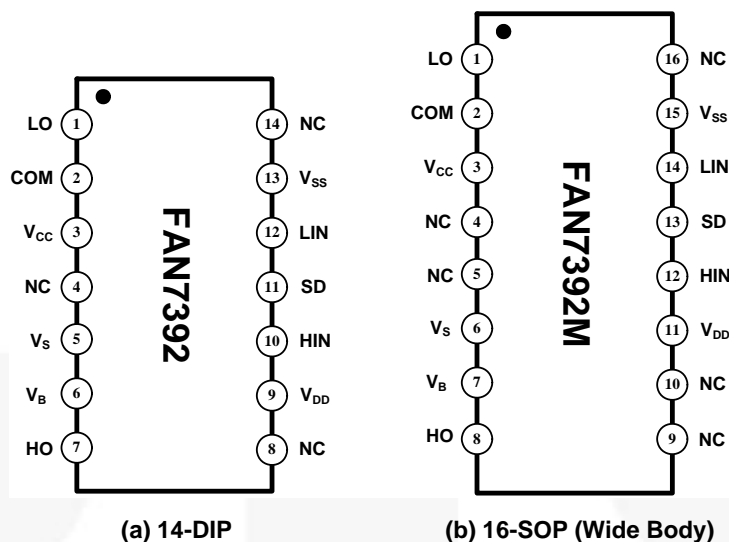


Figure 5. Pin Configurations (Top View)

Pin Definitions

14-Pin	16-Pin	Name	Description
1	1	LO	Low-Side Driver Output
2	2	COM	Low-Side Return
3	3	V _{CC}	Low-Side Supply Voltage
5	6	V _S	High-Voltage Floating Supply Return
6	7	V _B	High-Side Floating Supply
7	8	HO	High-Side Driver Output
9	11	V _{DD}	Logic Supply Voltage
10	12	HIN	Logic Input for High-Side Gate Driver Output
11	13	SD	Logic Input for Shutdown Function
12	14	LIN	Logic Input for Low-Side Gate Driver Output
13	15	V _{SS}	Logic Ground
4,8,14	4, 5, 9, 10, 16	NC	No Connect

Absolute Maximum Ratings

Stresses exceeding the absolute maximum ratings may damage the device. The device may not function or be operable above the recommended operating conditions and stressing the parts to these levels is not recommended. In addition, extended exposure to stresses above the recommended operating conditions may affect device reliability. The absolute maximum ratings are stress ratings only. $T_A=25^{\circ}\text{C}$ unless otherwise specified.

Symbol	Characteristics	Min.	Max.	Unit
V_B	High-Side Floating Supply Voltage	-0.3	625.0	V
V_S	High-Side Floating Offset Voltage	$V_B-25.0$	$V_B+0.3$	V
V_{HO}	High-Side Floating Output Voltage	$V_S-0.3$	$V_B+0.3$	V
V_{CC}	Low-Side Supply Voltage	-0.3	25.0	V
V_{LO}	Low-Side Floating Output Voltage	-0.3	$V_{CC}+0.3$	V
V_{DD}	Logic Supply Voltage	-0.3	$V_{SS}+25.0$	V
V_{SS}	Logic Supply Offset Voltage	$V_{CC}-25.0$	$V_{CC}+0.3$	V
V_{IN}	Logic Input Voltage (HIN, LIN and SD)	$V_{SS}-0.3$	$V_{DD}+0.3$	V
dV_S/dt	Allowable Offset Voltage Slew Rate		± 50	V/ns
P_D	Power Dissipation ^(1, 2, 3)	14-PDIP	1.6	W
		16-SOP	1.3	
θ_{JA}	Thermal Resistance	14-PDIP	75	$^{\circ}\text{C/W}$
		16-SOP	95	
T_J	Maximum Junction Temperature		+150	$^{\circ}\text{C}$
T_{STG}	Storage Temperature	-55	+150	$^{\circ}\text{C}$

Notes:

- Mounted on 76.2 x 114.3 x 1.6mm PCB (FR-4 glass epoxy material).
- Refer to the following standards:
 JESD51-2: Integral circuits thermal test method environmental conditions, natural convection; and
 JESD51-3: Low effective thermal conductivity test board for leaded surface-mount packages.
- Do not exceed power dissipation (P_D) under any circumstances.

Recommended Operating Conditions

The Recommended Operating Conditions table defines the conditions for actual device operation. Recommended operating conditions are specified to ensure optimal performance to the datasheet specifications. Fairchild does not recommend exceeding them or designing to absolute maximum ratings.

Symbol	Parameter	Min.	Max.	Unit
V_B	High-Side Floating Supply Voltage	V_S+10	V_S+20	V
V_S	High-Side Floating Supply Offset Voltage	$6-V_{CC}$	600	V
V_{HO}	High-Side Output Voltage	V_S	V_B	V
V_{CC}	Low-Side Supply Voltage	10	20	V
V_{LO}	Low-Side Output Voltage	0	V_{CC}	V
V_{DD}	Logic Supply Voltage	$V_{SS}+3$	$V_{SS}+20$	V
V_{SS}	Logic Supply Offset Voltage	-5	5	V
V_{IN}	Logic Input Voltage	V_{SS}	V_{DD}	V
T_A	Operating Ambient Temperature	-40	+125	$^{\circ}\text{C}$

Electrical Characteristics

$V_{BIAS}(V_{CC}, V_{BS}, V_{DD})=15.0V$, $V_{SS}=COM=0V$ and $T_A=25^\circ C$, unless otherwise specified. The V_{IH} , V_{IL} , and I_{IN} parameters are referenced to V_{SS} and are applicable to the respective input leads: HIN, LIN, and SD. The V_O and I_O parameters are referenced to V_S and COM and are applicable to the respective output leads: HO and LO.

Symbol	Characteristics	Test Condition	Min.	Typ.	Max.	Unit
Low-Side Power Supply Section						
I_{QCC}	Quiescent V_{CC} Supply Current	$V_{IN}=0V$ or V_{DD}		40	80	μA
I_{QDD}	Quiescent V_{DD} Supply Current	$V_{IN}=0V$ or V_{DD}			10	μA
I_{PCC}	Operating V_{CC} Supply Current	$f_{IN}=20kHz$, rms, $V_{IN}=15V_{PP}$		430		μA
I_{PDD}	Operating V_{DD} Supply Current	$f_{IN}=20kHz$, rms, $V_{IN}=15V_{PP}$		300		μA
I_{SD}	Shutdown Supply Current	$S_D=V_{DD}$		120		μA
V_{CCUV+}	V_{CC} Supply Under-Voltage Positive-Going Threshold Voltage	$V_{IN}=0V$, $V_{CC}=\text{Sweep}$	7.7	8.8	9.9	V
V_{CCUV-}	V_{CC} Supply Under-Voltage Negative-Going Threshold Voltage	$V_{IN}=0V$, $V_{CC}=\text{Sweep}$	7.3	8.4	9.5	V
V_{CCUVH}	V_{CC} Supply Under-Voltage Lockout Hysteresis Voltage	$V_{IN}=0V$, $V_{CC}=\text{Sweep}$		0.4		V
Bootstrapped Supply Section						
I_{QBS}	Quiescent V_{BS} Supply Current	$V_{IN}=0V$ or V_{DD}		60	130	μA
I_{PBS}	Operating V_{BS} Supply Current	$f_{IN}=20kHz$, rms value		500		μA
V_{BSUV+}	V_{BS} Supply Under-Voltage Positive-Going Threshold Voltage	$V_{IN}=0V$, $V_{BS}=\text{Sweep}$	7.7	8.8	9.9	V
V_{BSUV-}	V_{BS} Supply Under-Voltage Negative-Going Threshold Voltage	$V_{IN}=0V$, $V_{BS}=\text{Sweep}$	7.3	8.4	9.5	V
V_{BSUVH}	V_{BS} Supply Under-Voltage Lockout Hysteresis Voltage	$V_{IN}=0V$, $V_{BS}=\text{Sweep}$		0.4		V
I_{LK}	Offset Supply Leakage Current	$V_B=V_S=600V$			50	μA
Input Logic Section (HIN, LIN, and SD)						
V_{IH}	Logic "1" Input Threshold Voltage	$V_{DD}=3V$	2.4			V
		$V_{DD}=15V$	9.5			V
V_{IL}	Logic "0" Input Threshold Voltage	$V_{DD}=3V$			0.8	V
		$V_{DD}=15V$			4.5	V
I_{IN+}	Logic Input High Bias Current	$V_{IN}=V_{DD}$		20	40	μA
I_{IN-}	Logic Input Low Bias Current	$V_{IN}=0V$			3	μA
R_{IN}	Logic Input Pull-Down Resistance		375	750		$K\Omega$
Gate Driver Output Section						
V_{OH}	High-Level Output Voltage ($V_{BIAS} - V_O$)	No Load ($I_O=0A$)			1.5	V
V_{OL}	Low-Level Output Voltage	No Load ($I_O=0A$)			200	mV
I_{O+}	Output High, Short-Circuit Pulsed Current ⁽⁴⁾	$V_O=0V$, $PW \leq 10\mu s$	2.5	3.0		A
I_{O-}	Output Low, Short-Circuit Pulsed Current ⁽⁴⁾	$V_O=15V$, $PW \leq 10\mu s$	2.5	3.0		A
V_{SS}/COM	$V_{SS}-COM/COM-V_{SS}$ Voltage Endurability		-5.0		5.0	V
$-V_S$	Allowable Negative V_S Pin Voltage for HIN Signal Propagation to HO			-9.8	-7.0	V

Dynamic Electrical Characteristics

$V_{BIAS}(V_{CC}, V_{BS}, V_{DD})=15.0V$, $V_{SS}=COM=0V$, $C_{LOAD}=1000pF$, $T_A=25^{\circ}C$, unless otherwise specified.

Symbol	Parameter	Conditions	Min.	Typ.	Max.	Unit
t_{on}	Turn-On Propagation Delay Time	$V_S=0V$		130	180	ns
t_{off}	Turn-Off Propagation Delay Time	$V_S=0V$		150	200	ns
t_{sd}	Shutdown propagation Delay Time ⁽⁴⁾			130	180	ns
t_r	Turn-On Rise Time			25	50	ns
t_f	Turn-Off Fall Time			20	45	ns
MT	Delay Matching, HO & LO Turn-On/Off				35	ns

Note:

4. These parameters guaranteed by design.

Typical Characteristics

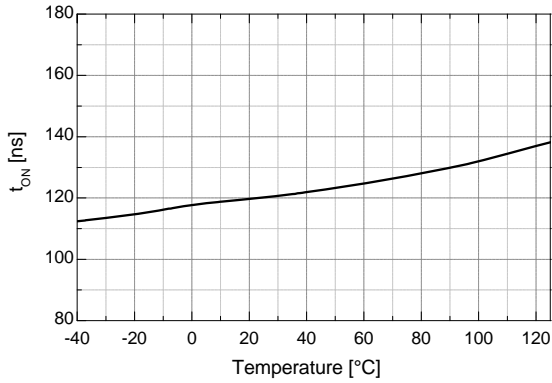


Figure 6. Turn-On Propagation Delay vs. Temperature

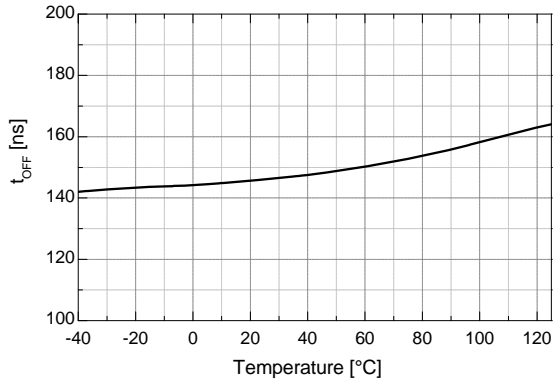


Figure 7. Turn-Off Propagation Delay vs. Temperature

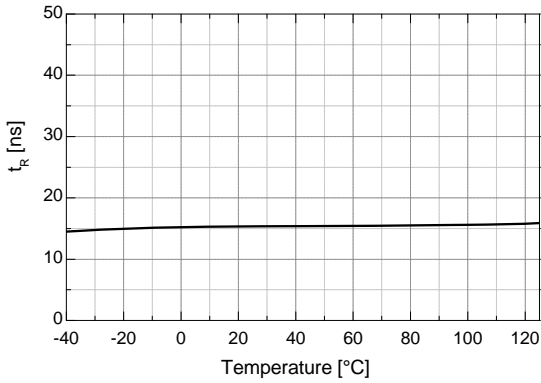


Figure 8. Turn-On Rise Time vs. Temperature

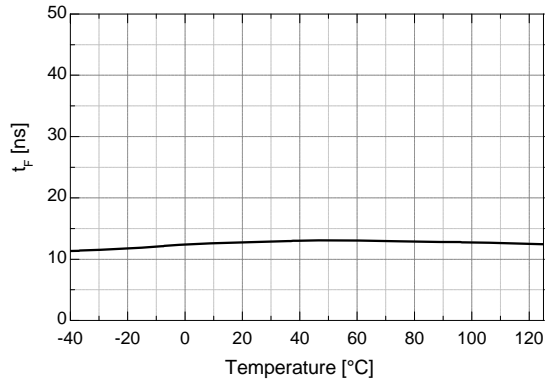


Figure 9. Turn-Off Fall Time vs. Temperature

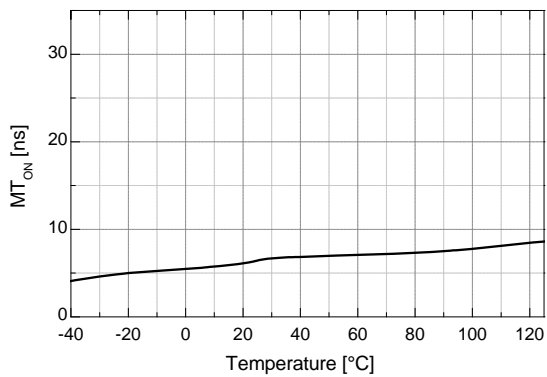


Figure 10. Turn-On Delay Matching vs. Temperature

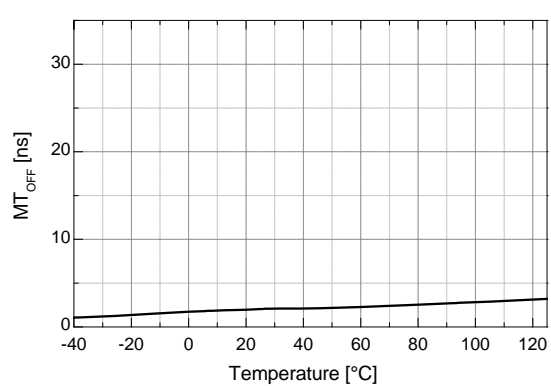


Figure 11. Turn-Off Delay Matching vs. Temperature

Typical Characteristics (Continued)

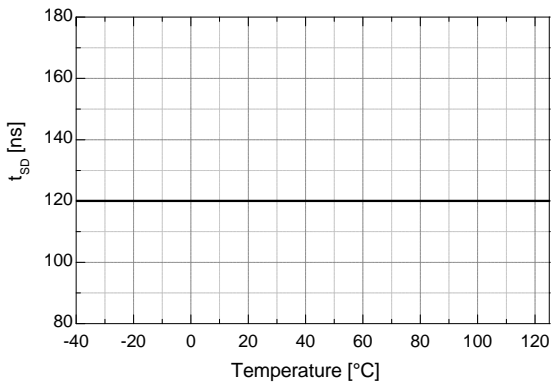


Figure 12. Shutdown Propagation Delay vs. Temperature

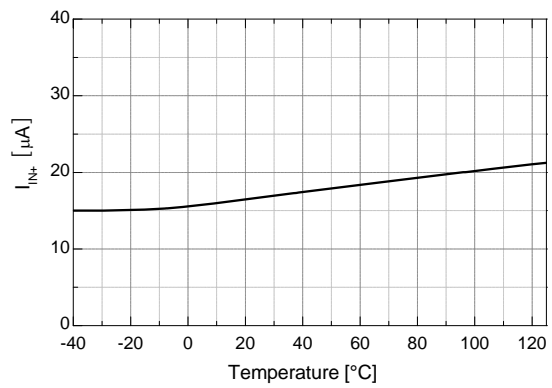


Figure 13. Logic Input High Bias Current vs. Temperature

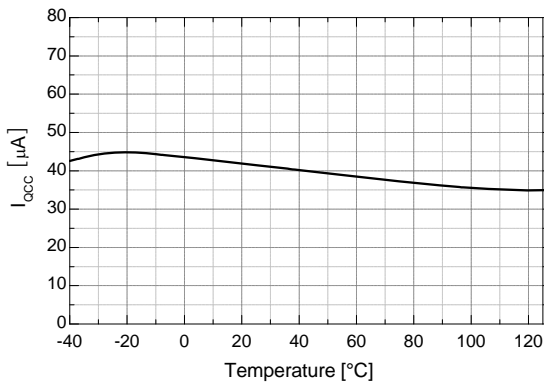


Figure 14. Quiescent V_{CC} Supply Current vs. Temperature

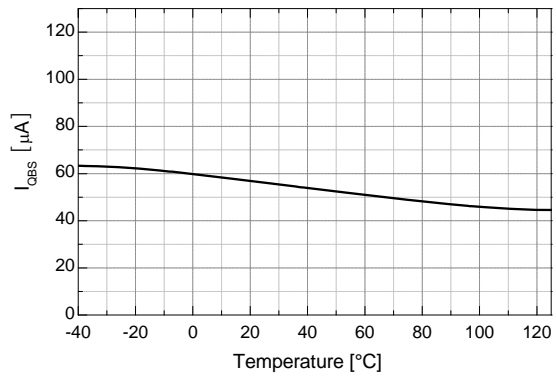


Figure 15. Quiescent V_{BS} Supply Current vs. Temperature

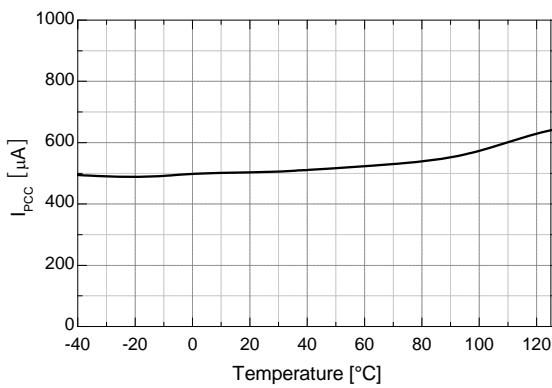


Figure 16. Operating V_{CC} Supply Current vs. Temperature

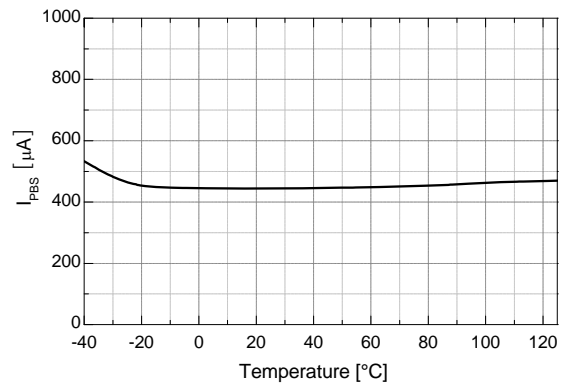


Figure 17. Operating V_{BS} Supply Current vs. Temperature

Typical Characteristics (Continued)

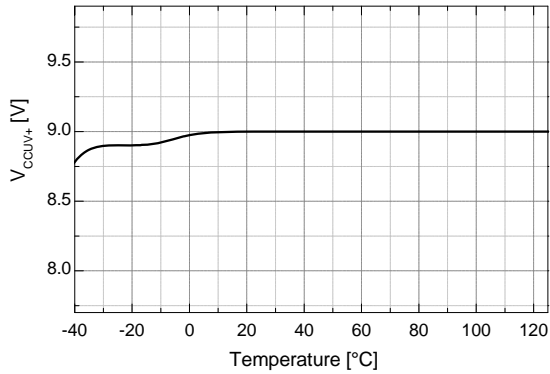


Figure 18. V_{CC} UVLO+ vs. Temperature

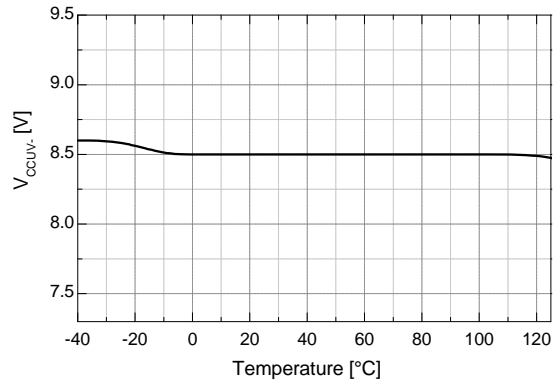


Figure 19. V_{CC} UVLO- vs. Temperature

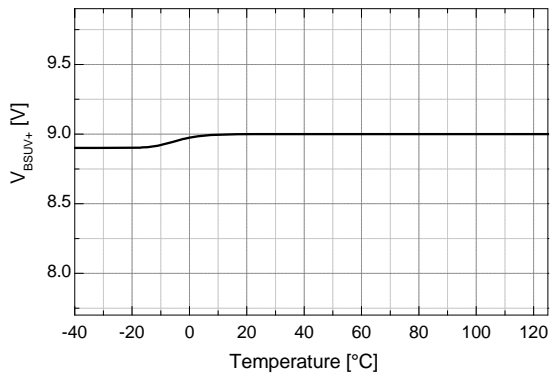


Figure 20. V_{BS} UVLO+ vs. Temperature

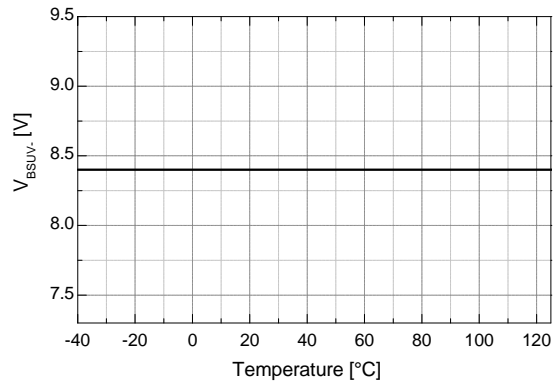


Figure 21. V_{BS} UVLO- vs. Temperature

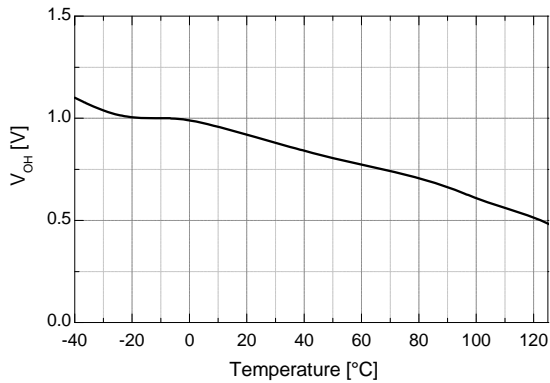


Figure 22. High-Level Output Voltage vs. Temperature

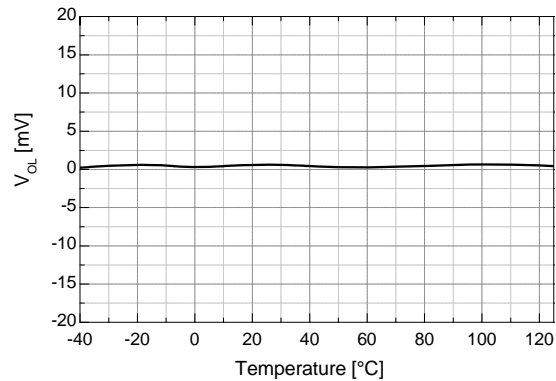


Figure 23. Low-Level Output Voltage vs. Temperature

Typical Characteristics (Continued)

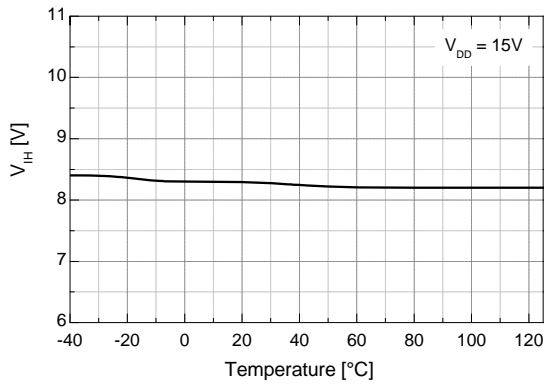


Figure 24. Logic High Input Voltage vs. Temperature

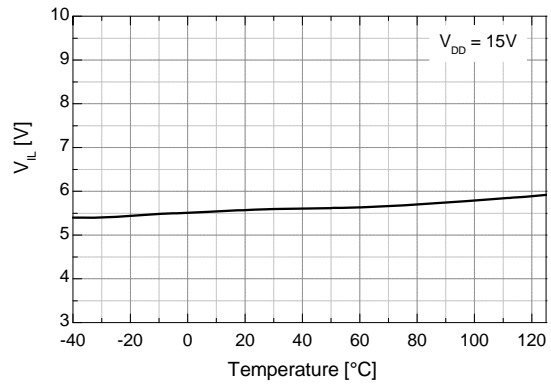


Figure 25. Logic Low Input Voltage vs. Temperature

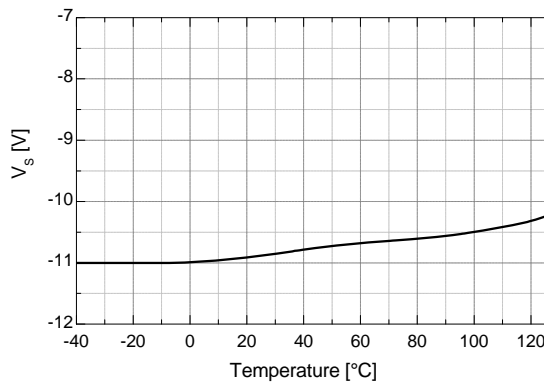


Figure 26. Allowable Negative V_S Voltage vs. Temperature

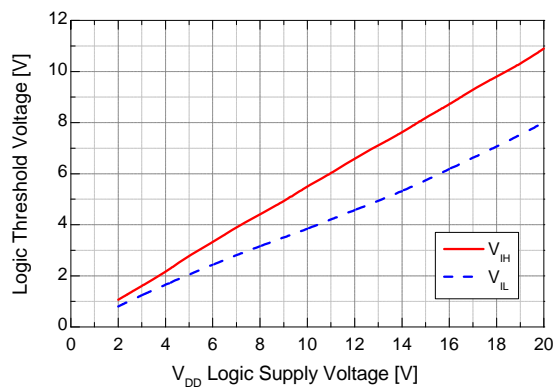


Figure 27. Input Logic (HIN & LIN) Threshold Voltage vs. V_{DD} Supply Voltage

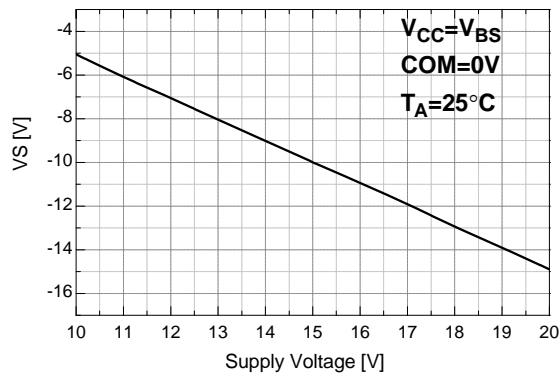


Figure 28. Allowable Negative V_S Voltage for HIN Signal Propagation to High Side vs. Supply Voltage

Switching Time Definitions

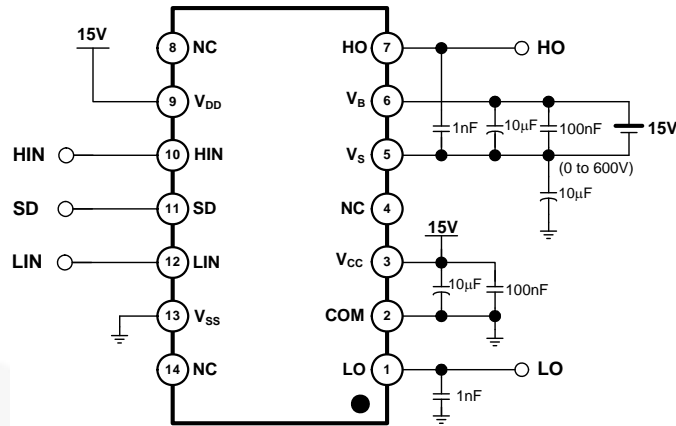


Figure 29. Switching Time Test Circuit (Referenced 14-DIP)

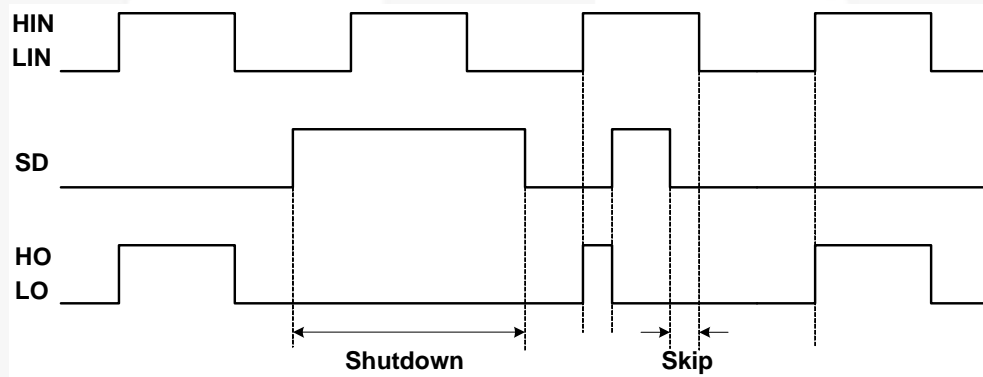


Figure 30. Input/Output Timing Diagram

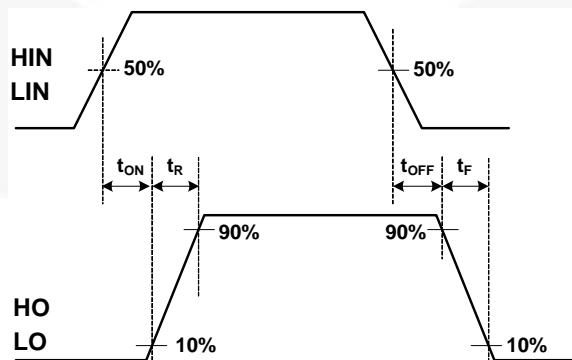


Figure 31. Switching Time Waveform Definitions

Switching Time Definitions (Continued)

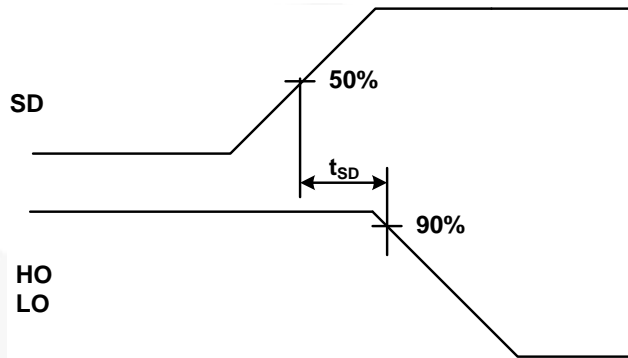


Figure 32. Shutdown Waveform Definition

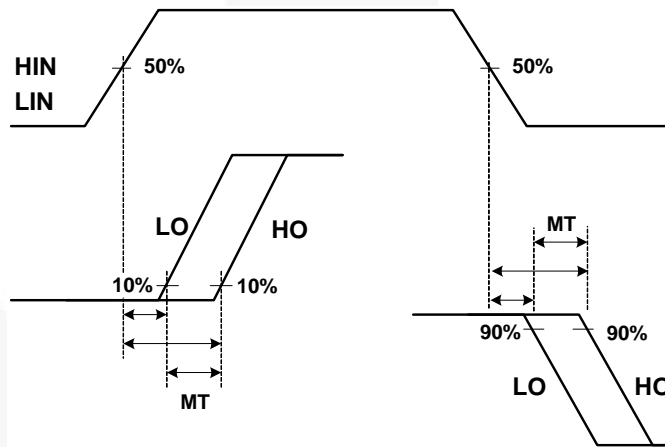


Figure 33. Delay Matching Waveform Definitions

Application Information

Negative V_S Transient

The bootstrap circuit has the advantage of being simple and low cost, but has some limitations. The biggest difficulty with this circuit is the negative voltage present at the emitter of the high-side switching device when high-side switch is turned-off in half-bridge application.

If the high-side switch, Q1, turns-off while the load current is flowing to an inductive load, a current commutation occurs from high-side switch, Q1, to the diode, D2, in parallel with the low-side switch of the same inverter leg. Then the negative voltage present at the emitter of the high-side switching device, just before the freewheeling diode, D2, starts clamping, causes load current to suddenly flow to the low-side freewheeling diode, D2, as shown in Figure 34.

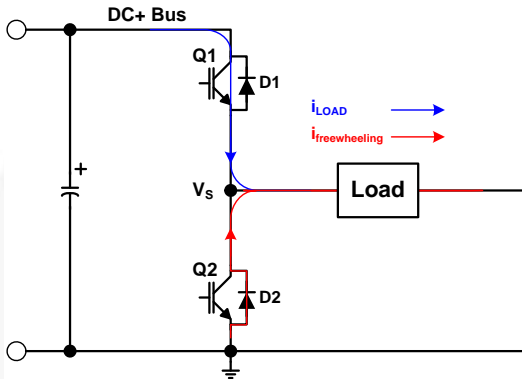


Figure 34. Half-Bridge Application Circuits

This negative voltage can be trouble for the gate driver's output stage, there is the possibility to develop an over-voltage condition of the bootstrap capacitor, input signal missing and latch-up problems because it directly affects the source V_S pin of the gate driver, as shown in Figure 35. This undershoot voltage is called "negative V_S transient".

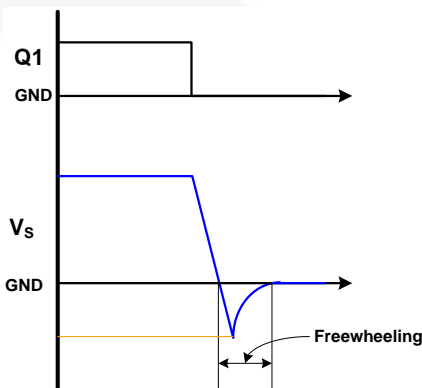


Figure 35. V_S Waveforms During Q1 Turn-Off

Figure 36 and Figure 37 show the commutation of the load current between high-side switch, Q1, and low-side freewheeling diode, D3, in same inverter leg. The parasitic inductances in the inverter circuit from the die wire bonding to the PCB tracks are jumped together in L_C and L_E for each IGBT. When the high-side switch, Q1, and low-side switch, Q4, are turned on, the V_{S1} node is below DC+ voltage by the voltage drops associated with the power switch and the parasitic inductances of the circuit due to load current is flows from Q1 and Q4, as shown in Figure 36. When the high-side switch, Q1, is turned off and Q4, remained turned on, the load current to flows the low-side freewheeling diode, D3, due to the inductive load connected to V_{S1} as shown in Figure 37. The current flows from ground (which is connected to the COM pin of the gate driver) to the load and the negative voltage present at the emitter of the high-side switching device.

In this case, the COM pin of the gate driver is at a higher potential than the V_S pin due to the voltage drops associated with freewheeling diode, D3, and parasitic elements, L_{C3} and L_{E3} .

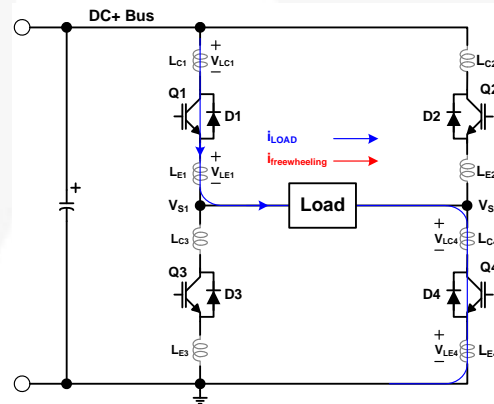


Figure 36. Q1 and Q4 Turn-On

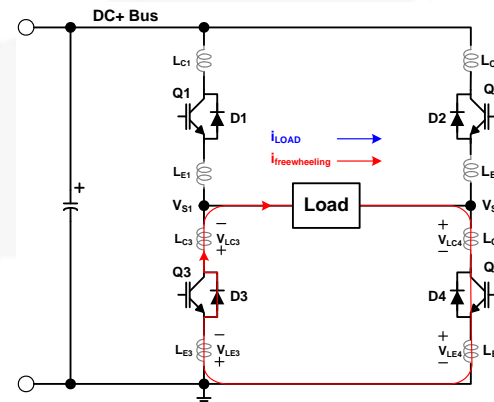


Figure 37. Q1 Turn-Off and D3 Conducting

The FAN7392 has a negative V_S transient performance curve, as shown in Figure 38.

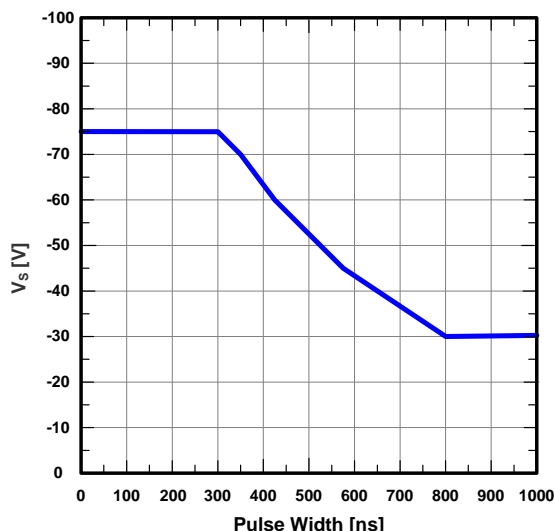


Figure 38. Negative V_S Transient Characteristic

Even though the FAN7392 has been shown able to handle these negative V_S transient conditions, it is strongly recommended that the circuit designer limit the negative V_S transient as much as possible by careful PCB layout to minimize the value of parasitic elements and component use. The amplitude of negative V_S voltage is proportional to the parasitic inductances and the turn-off speed, di/dt , of the switching device.

General Guidelines

Printed Circuit Board Layout

The layout recommended for minimized parasitic elements is as follows:

- Direct tracks between switches with no loops or deviation.
- Avoid interconnect links. These can add significant inductance.
- Reduce the effect of lead-inductance by lowering package height above the PCB.
- Consider co-locating both power switches to reduce track length.
- To minimize noise coupling, the ground plane should not be placed under or near the high-voltage floating side.
- To reduce the EM coupling and improve the power switch turn-on/off performance, the gate drive loops must be reduced as much as possible.

Placement of Components

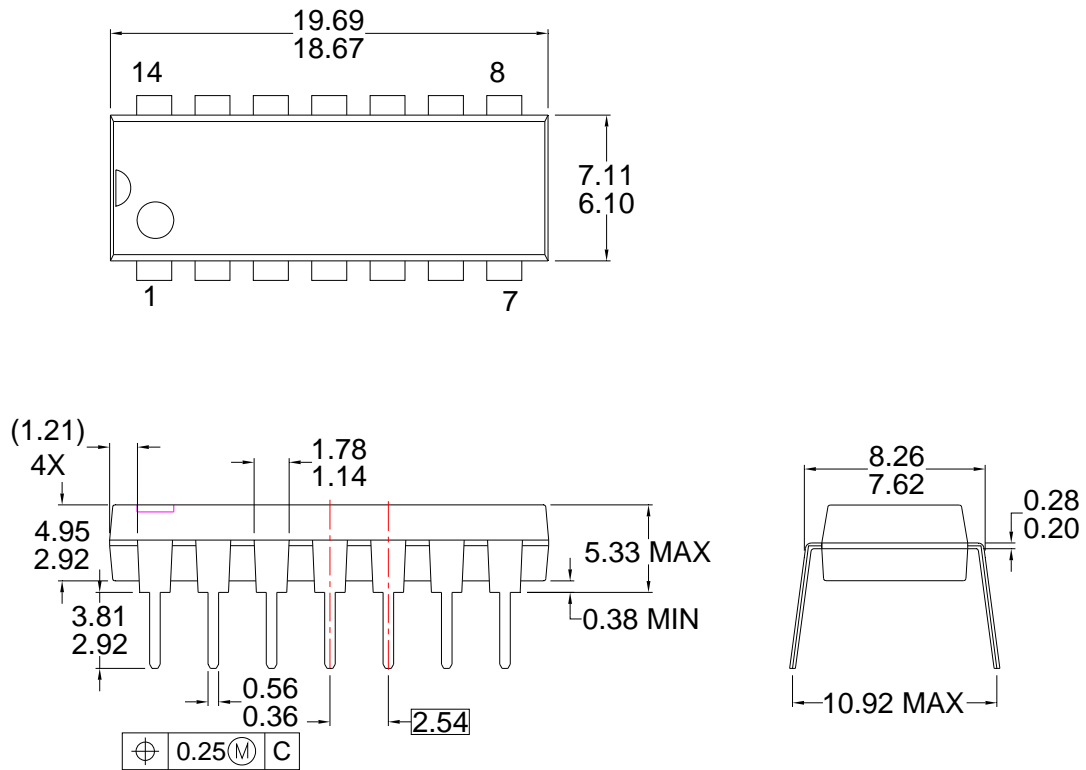
The recommended placement and selection of component as follows:

- Place a bypass capacitor between the V_{DD} and V_{SS} pins. A ceramic $1\mu\text{F}$ capacitor is suitable for most applications. This component should be placed as close as possible to the pins to reduce parasitic elements.
- The bypass capacitor from V_{CC} to COM supports both the low-side driver and bootstrap capacitor recharge. A value at least ten times higher than the bootstrap capacitor is recommended.
- The bootstrap resistor, R_{BOOT} , must be considered in sizing the bootstrap resistance and the current developed during initial bootstrap charge. If the resistor is needed in series with the bootstrap diode, verify that V_B does not fall below COM (ground). Recommended use is typically $5 \sim 10\Omega$ that increase the V_{BS} time constant. If the voltage drop of bootstrap resistor and diode is too high or the circuit topology does not allow a sufficient charging time, a fast recovery or ultra-fast recovery diode can be used.
- The bootstrap capacitor, C_{BOOT} , uses a low-ESR capacitor, such as ceramic capacitor.

It is strongly recommended that the placement of components is as follows:

- Place components tied to the floating voltage pins (V_B and V_S) near the respective high-voltage portions of the device and the FAN7392. NC (not connected) pins in this package maximize the distance between the high-voltage and low-voltage pins (see Figure 5).
- Place and route for bypass capacitors and gate resistors as close as possible to gate drive IC.
- Locate the bootstrap diode, D_{BOOT} , as close as possible to bootstrap capacitor, C_{BOOT} .
- The bootstrap diode must use a lower forward voltage drop and minimal switching time as soon as possible for fast recovery or ultra-fast diode.

Physical Dimensions



- NOTES: UNLESS OTHERWISE SPECIFIED
THIS PACKAGE CONFORMS TO**
- A) JEDEC MS-001 VARIATION AA
 - B) ALL DIMENSIONS ARE IN MILLIMETERS.
DIMENSIONS ARE EXCLUSIVE OF BURRS,
 - C) MOLD FLASH, AND TIE BAR EXTRUSIONS.
 - D) DIMENSIONS AND TOLERANCES PER
ASME Y14.5-1994
 - E) DRAWING FILE NAME: MKT-N14AREV8

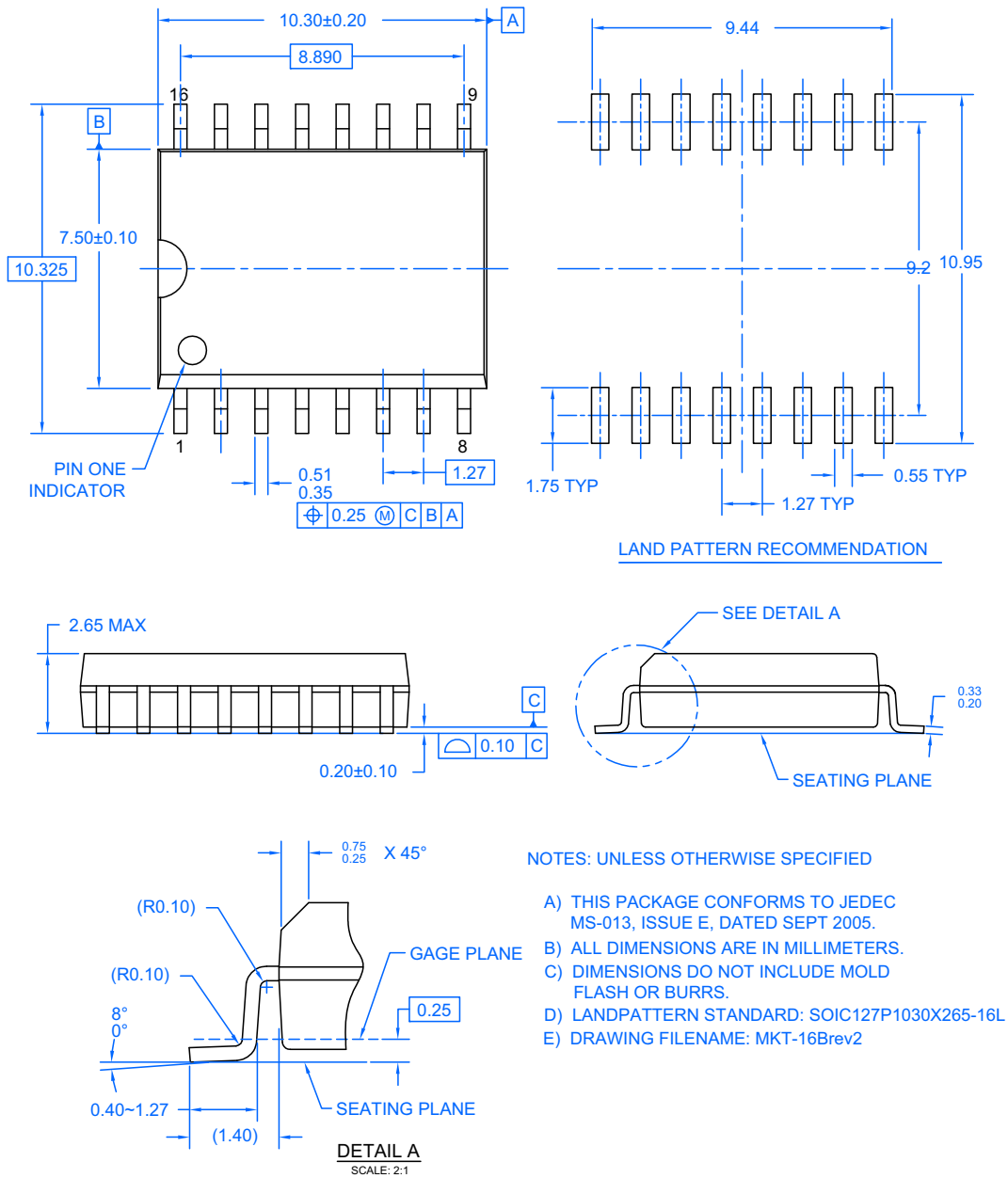
Figure 39. 14-Lead Dual In-Line Package (DIP)

Package drawings are provided as a service to customers considering Fairchild components. Drawings may change in any manner without notice. Please note the revision and/or date on the drawing and contact a Fairchild Semiconductor representative to verify or obtain the most recent revision. Package specifications do not expand the terms of Fairchild's worldwide terms and conditions, specifically the warranty therein, which covers Fairchild products.

Always visit Fairchild Semiconductor's online packaging area for the most recent package drawings:

<http://www.fairchildsemi.com/packaging/>.

Physical Dimensions (Continued)



M16BREV2

Figure 40. 16-Lead Small Outline Package (SOP)



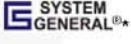
Package drawings are provided as a service to customers considering Fairchild components. Drawings may change in any manner without notice. Please note the revision and/or date on the drawing and contact a Fairchild Semiconductor representative to verify or obtain the most recent revision. Package specifications do not expand the terms of Fairchild's worldwide terms and conditions, specifically the warranty therein, which covers Fairchild products.

Always visit Fairchild Semiconductor's online packaging area for the most recent package drawings:
<http://www.fairchildsemi.com/packaging/>



TRADEMARKS

The following includes registered and unregistered trademarks and service marks, owned by Fairchild Semiconductor and/or its global subsidiaries, and is not intended to be an exhaustive list of all such trademarks.

- | | | | |
|---|--|---|---|
| 2Cool™ | F-PFS™ | PowerTrench® | The Power Franchise® |
| AccuPower™ | FRFET® | PowerXS™ | the power franchise |
| AX-CAP™* | Global Power Resource™ | Programmable Active Droop™ | TinyBoost™ |
| BitSiC™ | GreenBridge™ | QFET® | TinyBuck™ |
| Build it Now™ | Green FPS™ | QS™ | TinyCalc™ |
| CorePLUS™ | Green FPS™ e-Series™ | Quiet Series™ | TinyLogic® |
| CorePOWER™ | Gmax™ | RapidConfigure™ | TINYOPTO™ |
| CROSSVOLT™ | GTO™ |  | TinyPower™ |
| CTL™ | IntelliMAX™ | Saving our world, 1mW/WkW at a time™ | TinyPWM™ |
| Current Transfer Logic™ | ISOPLANAR™ | SignalWise™ | TinyWire™ |
| DEUXPEED® | Making Small Speakers Sound Louder and Better™ | SmartMax™ | TranSiC™ |
| Dual Cool™ | MegaBuck™ | SMART START™ | TriFault Detect™ |
| EcoSPARK® | MICROCOUPLER™ | Solutions for Your Success™ | TRUECURRENT®* |
| EfficientMax™ | MicroFET™ | SPM® | µSerDes™ |
| ESBC™ | MicroPak™ | STEALTH™ |  |
|  | MicroPak2™ | SuperFET® | UHC® |
| Fairchild® | MillerDrive™ | SuperSOT™-3 | Ultra FRFET™ |
| Fairchild Semiconductor® | MotionMax™ | SuperSOT™-6 | UniFET™ |
| FACT Quiet Series™ | mWSaver™ | SuperSOT™-8 | VCX™ |
| FACT® | OptoHiT™ | SupreMOS® | VisualMax™ |
| FAST® | OPTOLOGIC® | SyncFET™ | VoltagePlus™ |
| FastvCore™ | OPTOPLANAR® | Sync-Lock™ | XS™ |
| FETBench™ | |  | |
| FlashWriter®* | | | |
| FPS™ | | | |

* Trademarks of System General Corporation, used under license by Fairchild Semiconductor.

DISCLAIMER

FAIRCHILD SEMICONDUCTOR RESERVES THE RIGHT TO MAKE CHANGES WITHOUT FURTHER NOTICE TO ANY PRODUCTS HEREIN TO IMPROVE RELIABILITY, FUNCTION, OR DESIGN. FAIRCHILD DOES NOT ASSUME ANY LIABILITY ARISING OUT OF THE APPLICATION OR USE OF ANY PRODUCT OR CIRCUIT DESCRIBED HEREIN; NEITHER DOES IT CONVEY ANY LICENSE UNDER ITS PATENT RIGHTS, NOR THE RIGHTS OF OTHERS. THESE SPECIFICATIONS DO NOT EXPAND THE TERMS OF FAIRCHILD'S WORLDWIDE TERMS AND CONDITIONS, SPECIFICALLY THE WARRANTY THEREIN, WHICH COVERS THESE PRODUCTS.

LIFE SUPPORT POLICY

FAIRCHILD'S PRODUCTS ARE NOT AUTHORIZED FOR USE AS CRITICAL COMPONENTS IN LIFE SUPPORT DEVICES OR SYSTEMS WITHOUT THE EXPRESS WRITTEN APPROVAL OF FAIRCHILD SEMICONDUCTOR CORPORATION.

As used herein:

1. Life support devices or systems are devices or systems which, (a) are intended for surgical implant into the body or (b) support or sustain life, and (c) whose failure to perform when properly used in accordance with instructions for use provided in the labeling, can be reasonably expected to result in a significant injury of the user.
2. A critical component in any component of a life support, device, or system whose failure to perform can be reasonably expected to cause the failure of the life support device or system, or to affect its safety or effectiveness.

ANTI-COUNTERFEITING POLICY

Fairchild Semiconductor Corporation's Anti-Counterfeiting Policy. Fairchild's Anti-Counterfeiting Policy is also stated on our external website, www.fairchildsemi.com, under Sales Support.

Counterfeiting of semiconductor parts is a growing problem in the industry. All manufacturers of semiconductor products are experiencing counterfeiting of their parts. Customers who inadvertently purchase counterfeit parts experience many problems such as loss of brand reputation, substandard performance, failed applications, and increased cost of production and manufacturing delays. Fairchild is taking strong measures to protect ourselves and our customers from the proliferation of counterfeit parts. Fairchild strongly encourages customers to purchase Fairchild parts either directly from Fairchild or from Authorized Fairchild Distributors who are listed by country on our web page cited above. Products customers buy either from Fairchild directly or from Authorized Fairchild Distributors are genuine parts, have full traceability, meet Fairchild's quality standards for handling and storage and provide access to Fairchild's full range of up-to-date technical and product information. Fairchild and our Authorized Distributors will stand behind all warranties and will appropriately address any warranty issues that may arise. Fairchild will not provide any warranty coverage or other assistance for parts bought from Unauthorized Sources. Fairchild is committed to combat this global problem and encourage our customers to do their part in stopping this practice by buying direct or from authorized distributors.

PRODUCT STATUS DEFINITIONS

Definition of Terms

Datasheet Identification	Product Status	Definition
Advance Information	Formative / In Design	Datasheet contains the design specifications for product development. Specifications may change in any manner without notice.
Preliminary	First Production	Datasheet contains preliminary data; supplementary data will be published at a later date. Fairchild Semiconductor reserves the right to make changes at any time without notice to improve design.
No Identification Needed	Full Production	Datasheet contains final specifications. Fairchild Semiconductor reserves the right to make changes at any time without notice to improve the design.
Obsolete	Not In Production	Datasheet contains specifications on a product that is discontinued by Fairchild Semiconductor. The datasheet is for reference information only.

Rev. I62

ON Semiconductor and  are trademarks of Semiconductor Components Industries, LLC dba ON Semiconductor or its subsidiaries in the United States and/or other countries. ON Semiconductor owns the rights to a number of patents, trademarks, copyrights, trade secrets, and other intellectual property. A listing of ON Semiconductor's product/patent coverage may be accessed at www.onsemi.com/site/pdf/Patent-Marking.pdf. ON Semiconductor reserves the right to make changes without further notice to any products herein. ON Semiconductor makes no warranty, representation or guarantee regarding the suitability of its products for any particular purpose, nor does ON Semiconductor assume any liability arising out of the application or use of any product or circuit, and specifically disclaims any and all liability, including without limitation special, consequential or incidental damages. Buyer is responsible for its products and applications using ON Semiconductor products, including compliance with all laws, regulations and safety requirements or standards, regardless of any support or applications information provided by ON Semiconductor. "Typical" parameters which may be provided in ON Semiconductor data sheets and/or specifications can and do vary in different applications and actual performance may vary over time. All operating parameters, including "Typicals" must be validated for each customer application by customer's technical experts. ON Semiconductor does not convey any license under its patent rights nor the rights of others. ON Semiconductor products are not designed, intended, or authorized for use as a critical component in life support systems or any FDA Class 3 medical devices or medical devices with a same or similar classification in a foreign jurisdiction or any devices intended for implantation in the human body. Should Buyer purchase or use ON Semiconductor products for any such unintended or unauthorized application, Buyer shall indemnify and hold ON Semiconductor and its officers, employees, subsidiaries, affiliates, and distributors harmless against all claims, costs, damages, and expenses, and reasonable attorney fees arising out of, directly or indirectly, any claim of personal injury or death associated with such unintended or unauthorized use, even if such claim alleges that ON Semiconductor was negligent regarding the design or manufacture of the part. ON Semiconductor is an Equal Opportunity/Affirmative Action Employer. This literature is subject to all applicable copyright laws and is not for resale in any manner.

PUBLICATION ORDERING INFORMATION

LITERATURE FULFILLMENT:

Literature Distribution Center for ON Semiconductor
19521 E. 32nd Pkwy, Aurora, Colorado 80011 USA
Phone: 303-675-2175 or 800-344-3860 Toll Free USA/Canada
Fax: 303-675-2176 or 800-344-3867 Toll Free USA/Canada
Email: orderlit@onsemi.com

N. American Technical Support: 800-282-9855 Toll Free
USA/Canada
Europe, Middle East and Africa Technical Support:
Phone: 421 33 790 2910
Japan Customer Focus Center
Phone: 81-3-5817-1050

ON Semiconductor Website: www.onsemi.com
Order Literature: <http://www.onsemi.com/orderlit>
For additional information, please contact your local
Sales Representative

Mouser Electronics

Authorized Distributor

Click to View Pricing, Inventory, Delivery & Lifecycle Information:

[ON Semiconductor:](#)

[FAN7392M](#) [FAN7392N](#) [FAN7392MX](#)