

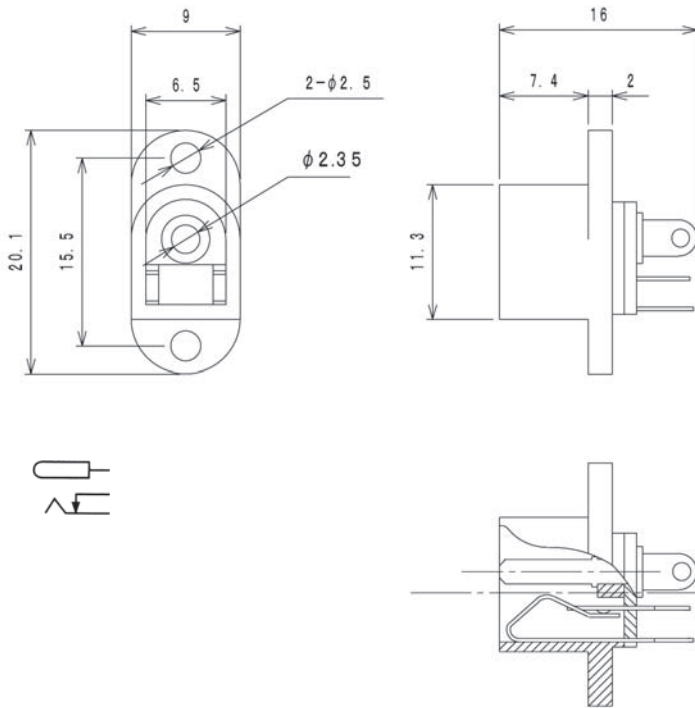
16

NEB/J 25

Power supply connectors



Power supply chassis socket, straight version, with fixing flange, break contact and solder eyes



Environmental conditions

Temperature range -25 °C/+70 °C

Materials

Insulating body POM, HB according to UL94
 Contact Cu alloy, nickel-plated/silver-plated
 Insulation PBT (may be PF in a transitional phase)

Mechanical data

Diameter opening 6,3 mm
 Diameter center pin 2,35 mm
 Mating cycles ≥ 5000
 Insertion force 4–20 N¹
 Withdrawal force 3–15 N¹

¹ measured with a gauge plug

Electrical data (at T_{amb} 20 °C)

Contact resistance ≤ 30 m Ω
 Rated current 1 A
 Rated voltage 12 V DC
 Rated impulse voltage 500 V/60 s
 Insulation resistance ≥ 100 M Ω

Associated products

Counterparts
 ☞ 1614 20 ☞ 1633 04 ☞ 1634 02
 ☞ NES/J 25 ☞ NES/J 250 ☞ XNES/J 250

16

NEB/J 25

Designation	Pole Number	PU (Pieces)	MDQ (Pieces)
NEB/J 25	2	250	750

Packaging:

in bulk, in a cardboard box or a plastic bag