

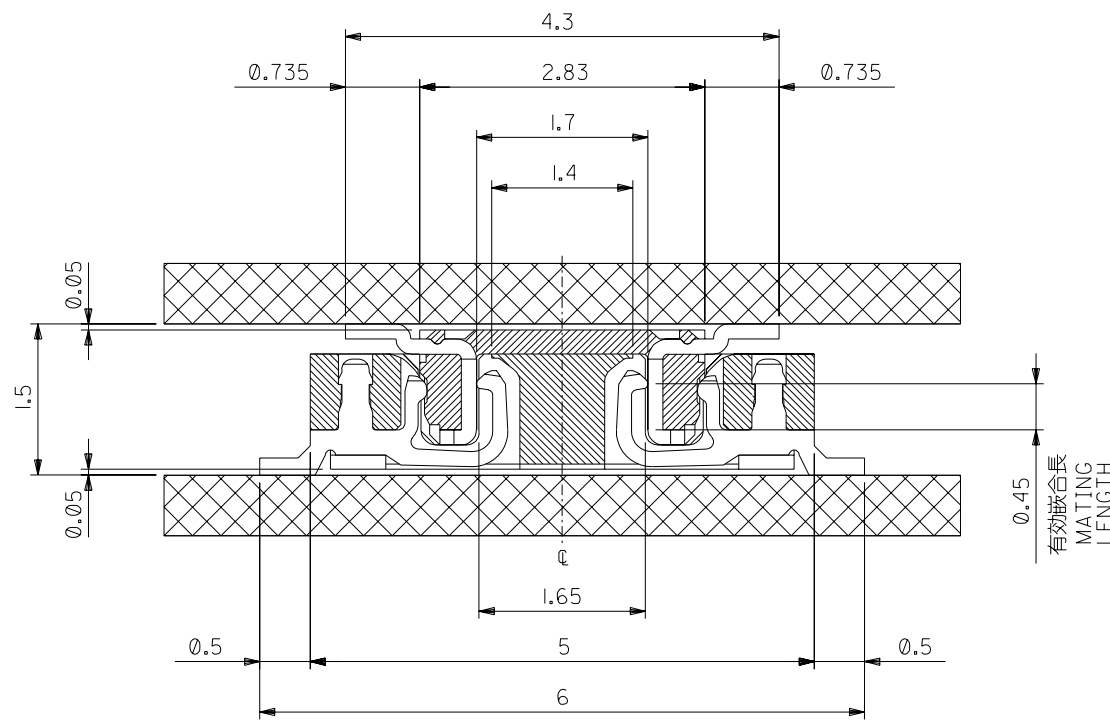
NON	20.55	19.5	21.45	55560-0801	80
10,21	15.55	14.5	16.45	-0601	60
2,4,8,10,16,18,22,24	13.05	12.0	13.95	-0501	50
2,4,8,10,14,16,20,22	12.05	11.0	12.95	-0461	46
2,3,5,6,8,9,12,13,15,16,18,19	10.55	9.5	11.45	-0401	40
2,3,4,5,7,8,9,10,11,13,14,15,16	9.05	8.0	9.95	-0341	34
ALL	8.05	7.0	8.95	-0301	30
	6.55	5.5	7.45	-0241	24
	6.05	5.0	6.95	-0221	22
	5.55	4.5	6.45	-0201	20
4.55	3.5	5.45	55560-0161	16	
LOCK POSITION	C	B	A	MATERIAL NO.	極数 CIRCUIT

DO NOT SCALE DRAWING

64 NO. DRWN: CH'K: APPR: 63 NO. DRWN: CH'K: APPR: REVISED 62 NO. J2003-2517 DRWN: S.AIHARA '03/03/31 CH'K: M.SASAO APPR: M.SASAO G	REVISED 61 NO. J2003-1929 DRWN: T.YASUI '03/11/23 CH'K: T.IITO APPR: T.IITO F	REVISED 60 NO. J2003-1468 DRWN: T.YASUI '02/11/25 CH'K: T.IITO APPR: T.YAMAGUCHI E	MATERIAL 材料 注記参照 SEE NOTES FINISH 仕上げ 適用 適用 適用 適用 適用 適用 INS. RANGE 被覆外径
---	--	---	--

GENERAL TOLERANCES: (UNLESS SPECIFIED) 一般公差 10 UNDER 未満 ±0.2 10 OVER 30 UNDER 未満 ±0.25 30 OVER 以上 ±0.3 ANGLE 角度 ±3°	MODEL NO. 55560-***I DIMENSIONS: DESIGN UNITS <input checked="" type="checkbox"/> mm <input type="checkbox"/> INCH SHT REVISIONS ON CAD ONLY	SCALE DRAWN BY & DATE S.AIHARA '00/10/5 CHECKED BY & DATE M.SASAO '03/03/31 APPROVED BY & DATE M.SASAO '03/03/31 CAD FILENAME 55560006.S01	TITLE: 0.5 B-To-B Conn PLUG Assy(Hgt=1.5mm) MOLEX MOLEX INCORPORATED MATERIAL NO. SEE CHART DRAWING NO. SD-55560-006 SHEET NO. 1 OF 2 SIZE B
---	--	--	--

THIS DRAWING CONTAINS INFORMATION THAT IS PROPRIETARY TO MOLEX INCORPORATED AND SHOULD NOT BE USED WITHOUT WRITTEN PERMISSION.



注記 NOTES:

1. 使用材料 MATERIAL
 ウェハー: 液晶ポリマー ガラス充填 ,UL94V-0(黒)
 WAFER :LIQUID CRYSTAL POLYMER (GLASS FILLED), UL94V-0 (COLOR:BLACK)
 ピン :黄銅 (t=0.15)
 PIN :BRASS(t=0.15)
2. メッキ仕様 PLATING
 金メッキ 0.25 MICROMETER MINIMUM (コンタクト部)
 GOLD 0.25 MICROMETER MINIMUM (CONTACT AREA).
 金メッキ 0.4 MICROMETER MAXIMUM (テール部)
 GOLD 0.4 MICROMETER MAXIMUM (TAIL AREA).
 下地メッキ: ニッケルメッキ 1.5 MICROMETER MINIMUM
 UNDER PLATING : NICKEL 1.5 MICROMETER MINIMUM.
3. (全極数/2) = 偶数の場合に適用。
 APPLY FOR (CIRCUIT/2)=EVEN.
4. 嵌合相手: 54722 シリーズ, 54037 シリーズ
 MATE WITH : 54722 SERIES, 54037 SERIES.
5. テール平坦度は, 0.1 MAXIMUM
 TAIL COPLANARITY TO BE 0.1 MAXIMUM.

嵌合断面図 (参考)
MATED DRAWING (REF.)

DO NOT SCALE DRAWING

64NO. DRWN: CH'K: APPR:	63NO. DRWN: CH'K: APPR:	REVISED 62NO. J2003-2517 DRWN: S.AIHARA '03/03/31 CH'K: M.SASAO APPR: M.SASAO	REVISED 61NO. J2003-1929 DRWN: T.YASUI '03/11/23 CH'K: T.ITO APPR: T.ITO	REVISED 60NO. J2003-1468 DRWN: T.YASUI '02/11/25 CH'K: T.ITO APPR: T.YAMAGUCHI
8	7	6	5	4

MATERIAL 材料	注記参照 SEE NOTES
FINISH 仕上げ	//
WIRE RANGE 適用線径範囲	//
INS. RANGE 被覆外径	//

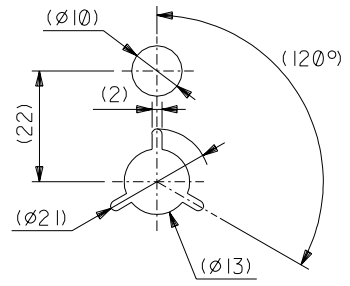
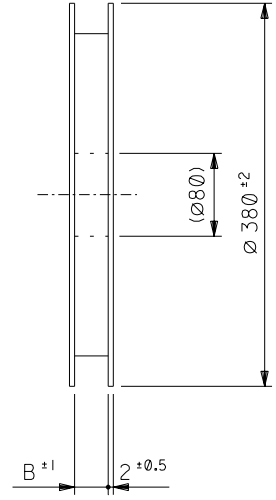
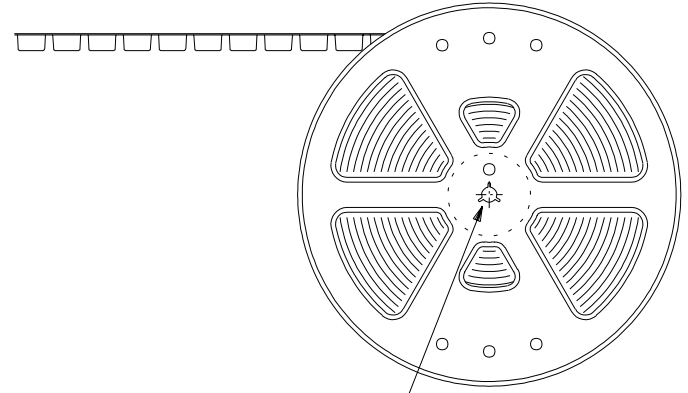
GENERAL TOLERANCES: (UNLESS SPECIFIED) 一般公差	SCALE
10 UNDER 未満	1:1
10 OVER 以上	30 UNDER 未満
30 OVER 以上	30 OVER 以上
ANGLE 角度	3°

MODEL NO. 55560-***I	DIMENSIONS: 寸法公差	SHT 2	REV 2
DESIGN UNITS 設計単位	PROJECTION 投影法	TITLE: 0.5 B-To-B Conn PLUG Assy(Hgt=1.5mm)	
DRAWN BY & DATE S.AIHARA '00/10/5	CHECKED BY & DATE M.SASAO '03/03/31	APPROVED BY & DATE M.SASAO '03/03/31	
CAD FILENAME 55560006.S02	MATERIAL NO. SEE CHART	DRAWING NO. SD-55560-006	SHEET NO. 2 OF 2
*THIS DRAWING CONTAINS INFORMATION THAT IS PROPRIETARY TO MOLEX INCORPORATED AND SHOULD NOT BE USED WITHOUT WRITTEN PERMISSION.			
			SIZE B

55560006.302

DWG. NO. SD-55560-007

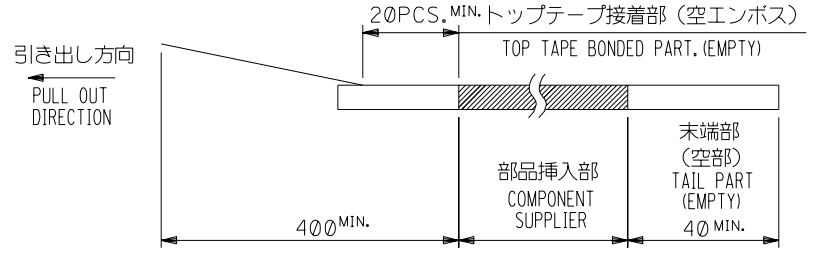
引き出し方向
PULL OUT DIRECTION



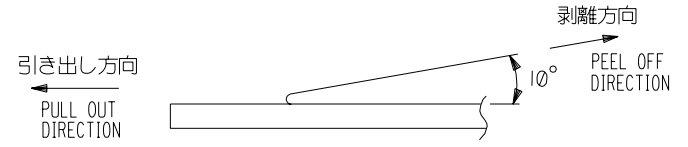
DETAIL "F"

NOTES

- 製品詳細寸法については図面 SD-55560-006 を参照下さい。
RE DETAILED DIMENSION, SEE SD-55560-006
- 梱包数量：3000個/リール
NUMBER OF CONNECTORS：3000PCS/REEL
- リードテープ長さ LEAD TAPE LENGTH



- トップテープの剥離強度：0.1N ~ 0.7N(10.2gf ~ 71.4gf)
(剥離方向は下図参照)
尚、本規格値は出荷時に適用。(但し、輸送時に剥離が発生しないこと。)
PEELING OFF FORCE OF TOP TAPE：0.1N ~ 0.7N(10.2gf ~ 71.4gf)
(PEELING DIRECTION AS SHOWN IN FOLLOWING FIG.)
THIS REQUIREMENT SHOULD BE APPLIED AT SHIPMENT.
PEEL OFF SHOULD NOT BE ALLOWED, DURING TRANSPORTATION.



- 材料
キャリアテープ：ポリプロピレン (PP)
トップテープ：PET, PE, PEF
リール：ポリスチレン (PS) <リサイクル材を含む>

MATERIAL CARRIER TAPE:POLYPROPYLENE
TOP TAPE:PET,PE,PEF
REEL:POLYSTYRENE (PS)
<RECYCLE MATERIAL CONTAINED>

DO NOT SCALE DRAWING

264 NO. DRAWN: CH'K: APPR:	263 NO. DRAWN: CH'K: APPR:	262 NO. DRAWN: CH'K: APPR:	REVISED 261 NO. J2003-2517 DRAWN: S.AIHARA '03/03/31 CH'K: M.SASAO APPR: M.SASAO	REVISED 260 NO. J2003-1929 DRAWN: T.YASUI '03/11/23 CH'K: T.IITO APPR: T.IITO	MATERIAL 材料 注記参照 SEE NOTES
					FINISH 仕上げ //
					WIRE RANGE 適用層線範囲 //
					INS. RANGE 被覆外径 //

GENERAL TOLERANCES: (UNLESS SPECIFIED) 一般公差	10 UNDER 未満 ±0.2	10 OVER 30 UNDER 未満 ±0.25	30 OVER 以上 ±0.3	ANGLE 角度 ±3°
---	---------------------	------------------------------	--------------------	-----------------

MODEL NO. 55560-***7	DIMENSIONS: <input type="checkbox"/> mm <input type="checkbox"/> INCH <input checked="" type="checkbox"/> mm ONLY	SHT 1 OF 5	REV B
SCALE //	DESIGN UNITS <input checked="" type="checkbox"/> mm <input type="checkbox"/> INCH	TITLE: 0.5 B-To-B Conn PLUG Assy (Hgt=1.5) Embstp Pkg	
DRAWN BY & DATE S.AIHARA '00/10/ 6	CHECKED BY & DATE M.SASAO '03/03/31	MOLEX MOLEX INCORPORATED	
APPROVED BY & DATE M.SASAO '03/03/31	CAD FILENAME 55560007.S01	MATERIAL NO. SEE CHART	DRAWING NO. SD-55560-007
THIS DRAWING CONTAINS INFORMATION THAT IS PROPRIETARY TO MOLEX INCORPORATED AND SHOULD NOT BE USED WITHOUT WRITTEN PERMISSION.			

DWG. NO. SD-55560-007

8 7 6 5 4 3 2 1

F

D

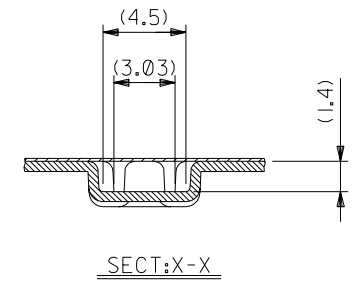
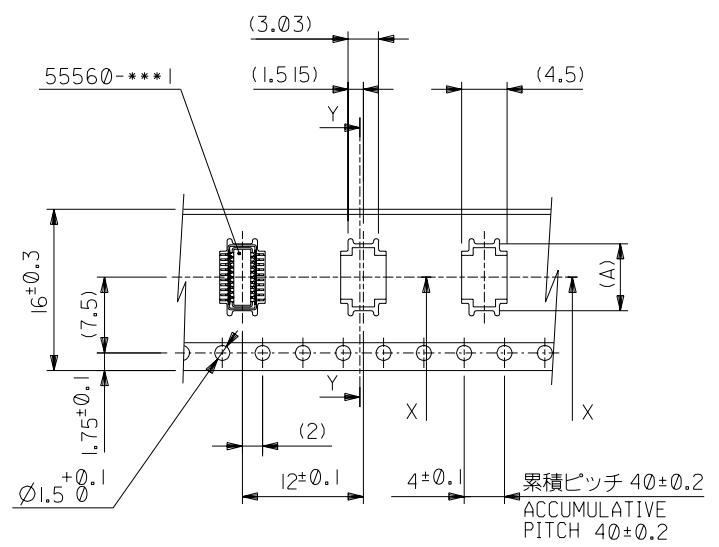
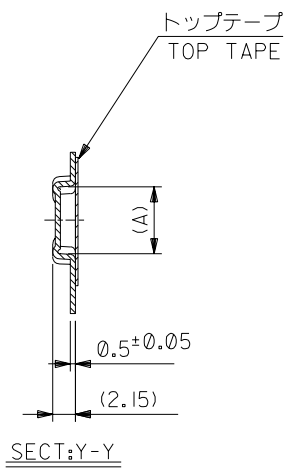
V

C

B

DO NOT SCALE DRAWING

引き出し方向
PULL OUT
DIRECTION



16mm幅キャリアテープ
16mm WIDTH CARRIER TAPE

16	17.5	6.65	55560-0207	20
キャリアテープ幅 CARRIER TAPE WIDTH		B	(A)	極数 CIRCUIT
MODEL NO.		55560-***7		DIMENSIONS: SHT REV
				BASE ON CAD ONLY

64NO. DRAWN: CHK: APPR:	63NO. DRAWN: CHK: APPR:	62NO. DRAWN: CHK: APPR:	REVISED J2003-2517 DRAWN: S.AIHARA '03/03/31 CHK: M.SASAO APPR: M.SASAO	REVISED J2003-1929 DRAWN: T.YASUI '03/11/23 CHK: T.IITO APPR: T.IITO	MATERIAL 材料 SHEET 1 OF 5 参照 REFER TO SHEET 1 OF 5
					GENERAL TOLERANCES: (UNLESS SPECIFIED) 一般公差
					FINISH 仕上げ
					WIRE RANGE 適用層線範囲
					INS. RANGE 被覆外径

10 UNDER 未滿	±0.2	SCALE	DESIGN UNITS	20° 30° 45° 60° 75° 90° <input type="checkbox"/> 20° <input type="checkbox"/> 30° <input type="checkbox"/> 45° <input type="checkbox"/> 60° <input type="checkbox"/> 75° <input type="checkbox"/> 90° PROJECTION
10 OVER 30 UNDER 以上 未滿	±0.25	///	<input checked="" type="checkbox"/> mm <input type="checkbox"/> INCH <input type="checkbox"/> mm ONLY	
30 OVER 以上	±0.3			
ANGLE 角度	±3°			

DRAWN BY & DATE S.AIHARA '00/10/ 6		TITLE: 0.5 B-To-B Conn PLUG Assy (Hgt=1.5) Embstp Pkg	
CHECKED BY & DATE M.SASAO '03/03/31		MOLEX INCORPORATED	
APPROVED BY & DATE M.SASAO '03/03/31			
CAD FILENAME 55560007.S02	MATERIAL NO. SEE CHART	DRAWING NO. SD-55560-007	SHEET NO. 2 OF 5
THIS DRAWING CONTAINS INFORMATION THAT IS PROPRIETARY TO MOLEX INCORPORATED AND SHOULD NOT BE USED WITHOUT WRITTEN PERMISSION.			SIZE B

8 7 6 5 4 3 2 1 EN-02J(097) MXJ-54

F

E

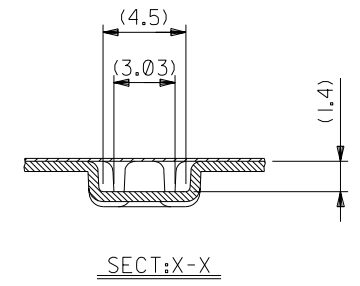
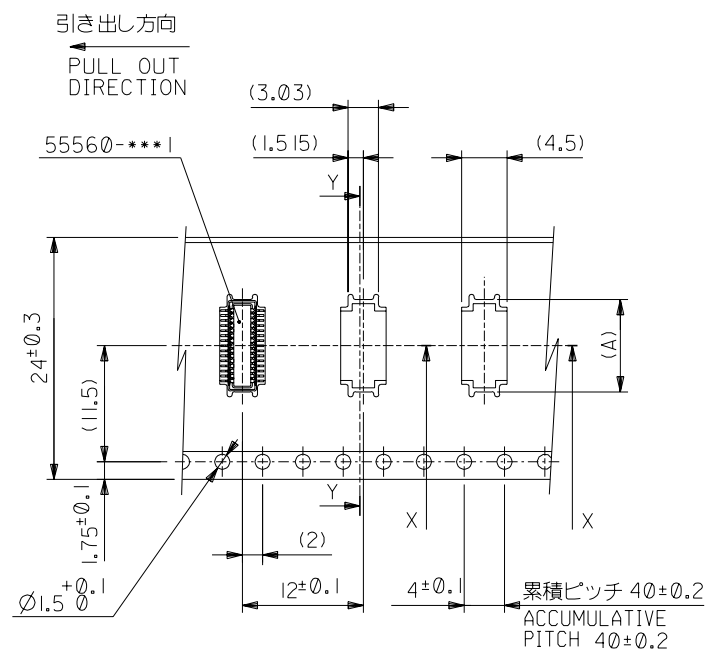
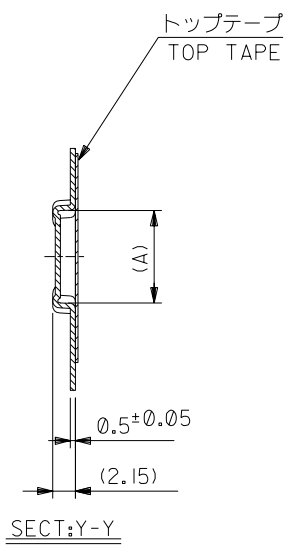
D

C

B

A

55560007.S02



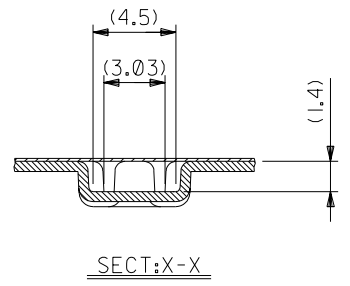
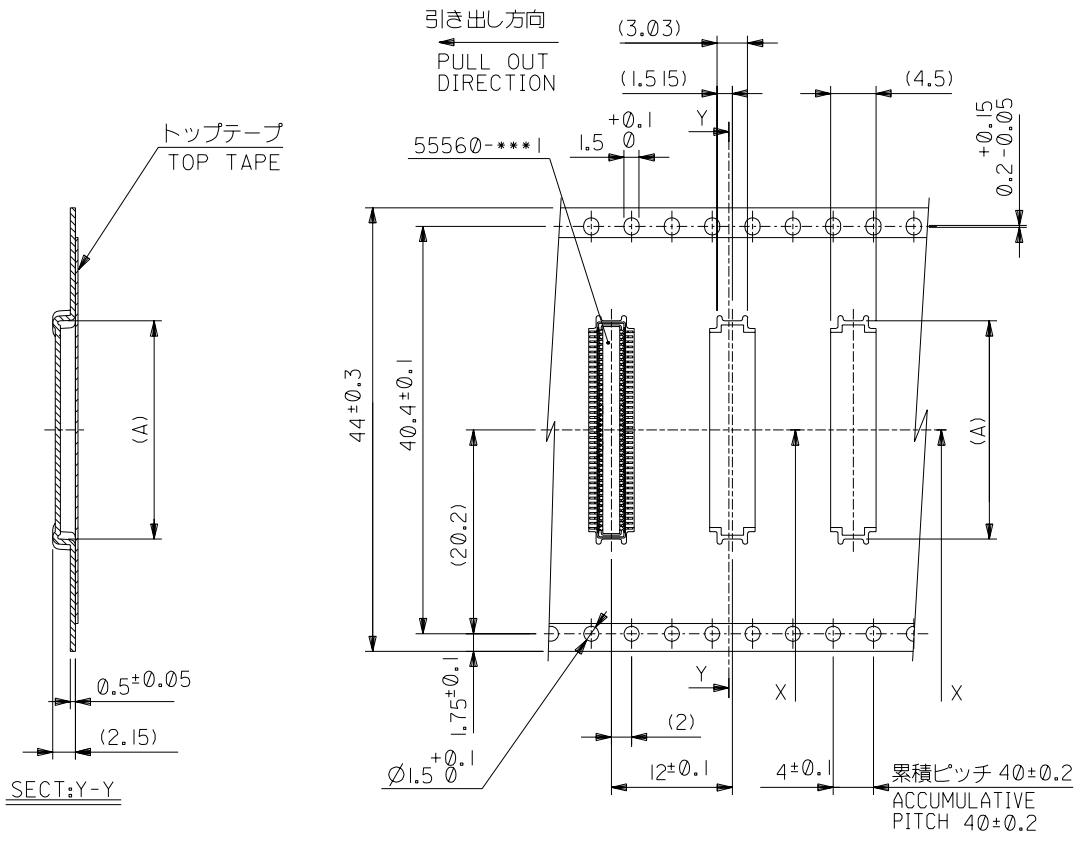
24mm幅キャリアテープ
24mm WIDTH CARRIER TAPE

24	25.5	14.15	55560-0507	50	
		13.15	55560-0467	46	
		11.65	55560-0407	40	
		10.15	55560-0347	34	
		9.15	55560-0307	30	
		7.65	55560-0247	24	
キャリアテープ幅 CARRIER TAPE WIDTH		B	(A)	MATERIAL NO.	極数 CIRCUIT
MODEL NO.		55560-***7		DIMENSIONS: SHT REV	

64NO. DRWN: CH'K: APPR:	63NO. DRWN: CH'K: APPR:	62NO. DRWN: CH'K: APPR:	REVISED 61NO. J2003-2517 DRWN: S.AIHARA '03/03/31 CH'K: M.SASAO APPR: M.SASAO	REVISED 60NO. J2003-1929 DRWN: T.YASUI '03/1/23 CH'K: T.IITO APPR: T.IITO
MATERIAL 材料 SHEET 1 OF 5 参照 REFER TO SHEET 1 OF 5				
FINISH 仕上げ //				
WIRE RANGE 適用層線範囲 //				
INS. RANGE 被覆外径 //				

GENERAL TOLERANCES: (UNLESS SPECIFIED) 一般公差		SCALE 1/1	DESIGN UNITS mm INCH	PROJECTION 2ND ANGLE	TITLE: 0.5 B-To-B Conn PLUG Assy (Hgt=1.5) Embstp Pkg
10 UNDER 未満	±0.2	DRAWN BY & DATE S.AIHARA '00/10/ 6		APPROVED BY & DATE M.SASAO '03/03/31	
10 OVER 以上 30 UNDER 未満	±0.25	CHECKED BY & DATE M.SASAO '03/03/31		APPROVED BY & DATE M.SASAO '03/03/31	
30 OVER 以上	±0.3	CAD FILENAME 55560007.S03		MATERIAL NO. SEE CHART	
ANGLE 角度	±3°	DRAWING NO. SD-55560-007		SHEET NO. 3 OF 5	

THIS DRAWING CONTAINS INFORMATION THAT IS PROPRIETARY TO MOLEX INCORPORATED AND SHOULD NOT BE USED WITHOUT WRITTEN PERMISSION.					
					SIZE B



44mm幅キャリアテープ
44mm WIDTH CARRIER TAPE

44	45.5	21.65	55560-0807	80
キャリアテープ幅 CARRIER TAPE WIDTH		B	(A)	極数 CIRCUIT
MODEL NO.		55560-***7		DIMENSIONS: SHT REV

264 NO. DRAWN: CH'K: APPR:	REVISED 263 NO. J2003-2517 DRAWN: S.AIHARA '03/03/31 CH'K: M.SASAO APPR: M.SASAO	REVISED 262 NO. J2003-1929 DRAWN: T.YASUI '03/1/23 CH'K: T.IITO APPR: T.IITO	REVISED 261 NO. J2003-1468 DRAWN: T.YASUI '02/11/25 CH'K: T.IITO APPR: T.YAMAGUCHI	REVISED 260 NO. J2002-2268 DRAWN: T.YASUI '02/03/06 CH'K: T.IITO APPR: T.YAMAGUCHI
-------------------------------	--	--	--	--

MATERIAL 材料	SHEET 1 OF 5 参照 REFER TO SHEET 1 OF 5	
FINISH 仕上げ	//	
WIRE RANGE 適用線径範囲	//	
INS. RANGE 被覆外径	//	

GENERAL TOLERANCES: (UNLESS SPECIFIED) 一般公差		SCALE //	DESIGN UNITS <input checked="" type="checkbox"/> mm <input type="checkbox"/> INCH	PROJECTION <input checked="" type="checkbox"/> FIRST ANGLE
10 UNDER 未満	±0.2	DRAWN BY & DATE T.YASUI '02/03/06		
10 OVER 以上	±0.25	CHECKED BY & DATE M.SASAO '03/03/31		
30 UNDER 未満	±0.3	APPROVED BY & DATE M.SASAO '03/03/31		
30 OVER 以上	±0.3	CAD FILENAME 55560007.S04		
ANGLE 角度	±3°	TITLE: 0.5 B-To-B Conn PLUG Assy (Hgt=1.5) Embstp Pkg		

MATERIAL NO. SEE CHART		DRAWING NO. SD-55560-007		SHEET NO. 5 OF 5
MOLEX INCORPORATED THIS DRAWING CONTAINS INFORMATION THAT IS PROPRIETARY TO MOLEX INCORPORATED AND SHOULD NOT BE USED WITHOUT WRITTEN PERMISSION.				
				SIZE B

DO NOT SCALE DRAWING

DWG. NO. SD-55560-007

8 7 6 5 4 3 2 1

F

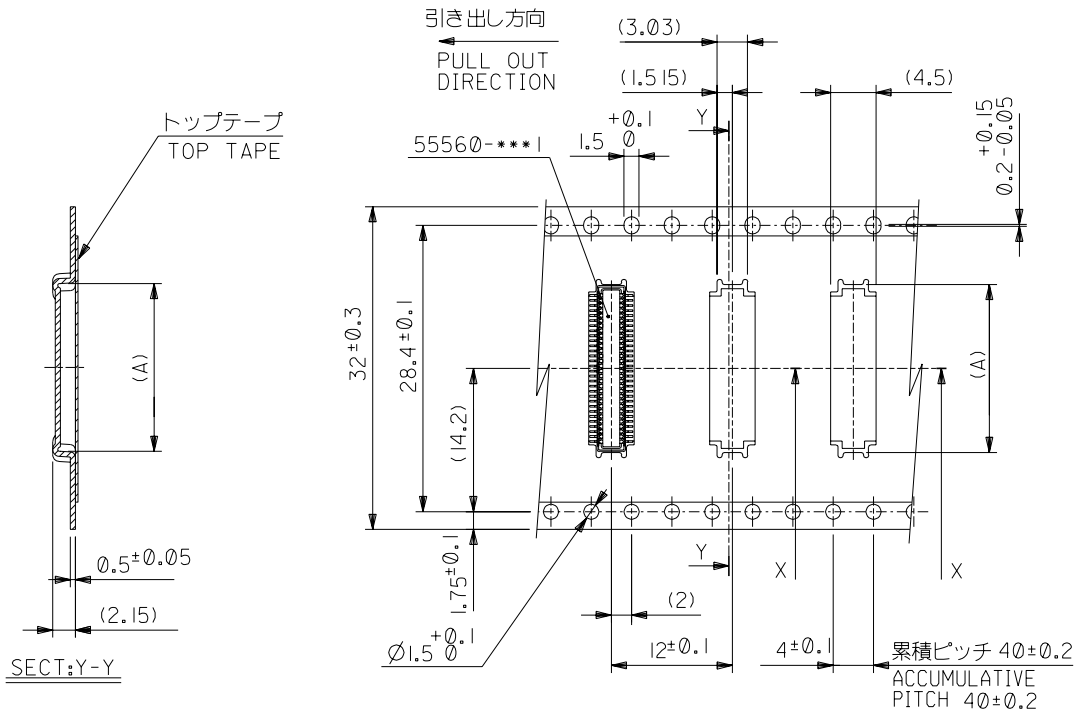
D

V

C

B

DO NOT SCALE DRAWING



32mm幅キャリアテープ
32mm WIDTH CARRIER TAPE

32	33.5	16.65	55560-0607	60
キャリアテープ幅 CARRIER TAPE WIDTH		B	(A)	極数 CIRCUIT
MODEL NO.		55560-***7		DIMENSIONS: SHT REV
				UNLESS SPECIFIED CAD ONLY

64NO. DRAWN: CHK: APPR:	63NO. DRAWN: CHK: APPR:	REVISED J2003-2517 DRAWN: S.AIHARA '03/03/31 CHK: M.SASAO APPR: M.SASAO	REVISED J2003-1929 DRAWN: T.YASUI '03/11/23 CHK: T.IITO APPR: T.IITO	REVISED J2003-1468 DRAWN: T.YASUI '02/11/25 CHK: T.IITO APPR: T.YAMAGUCHI	MATERIAL 材料 SHEET 1 OF 5 参照 REFER TO SHEET 1 OF 5
		F	E	D	FINISH 仕上げ //
					WIRE RANGE 適用層線範囲 //
					INS. RANGE 被覆外径 //

GENERAL TOLERANCES: (UNLESS SPECIFIED) 一般公差	SCALE //	DESIGN UNITS mm INCH	PROJECTION FIRST ANGLE
10 UNDER 未満	±0.2		
10 OVER 以上	±0.25		
30 UNDER 未満	±0.25		
30 OVER 以上	±0.3		
ANGLE 角度	±3°		

DRAWN BY & DATE T.YASUI '02/11/25	TITLE: 0.5 B-To-B Conn PLUG Assy (Hgt=1.5) Embstp Pkg
CHECKED BY & DATE M.SASAO '03/03/31	
APPROVED BY & DATE M.SASAO '03/03/31	
CAD FILENAME 55560007.S05	
MATERIAL NO. SEE CHART	DRAWING NO. SD-55560-007
MATERIAL NO. 55560007.S05	
DRAWING NO. SD-55560-007	
SHEET NO. 4 OF 5	
THIS DRAWING CONTAINS INFORMATION THAT IS PROPRIETARY TO MOLEX INCORPORATED AND SHOULD NOT BE USED WITHOUT WRITTEN PERMISSION.	
SIZE B	

8 7 6 5 4 3 2 1 EN-02J(097) MXJ-54

F

E

D

C

B

A

55560007.S05