

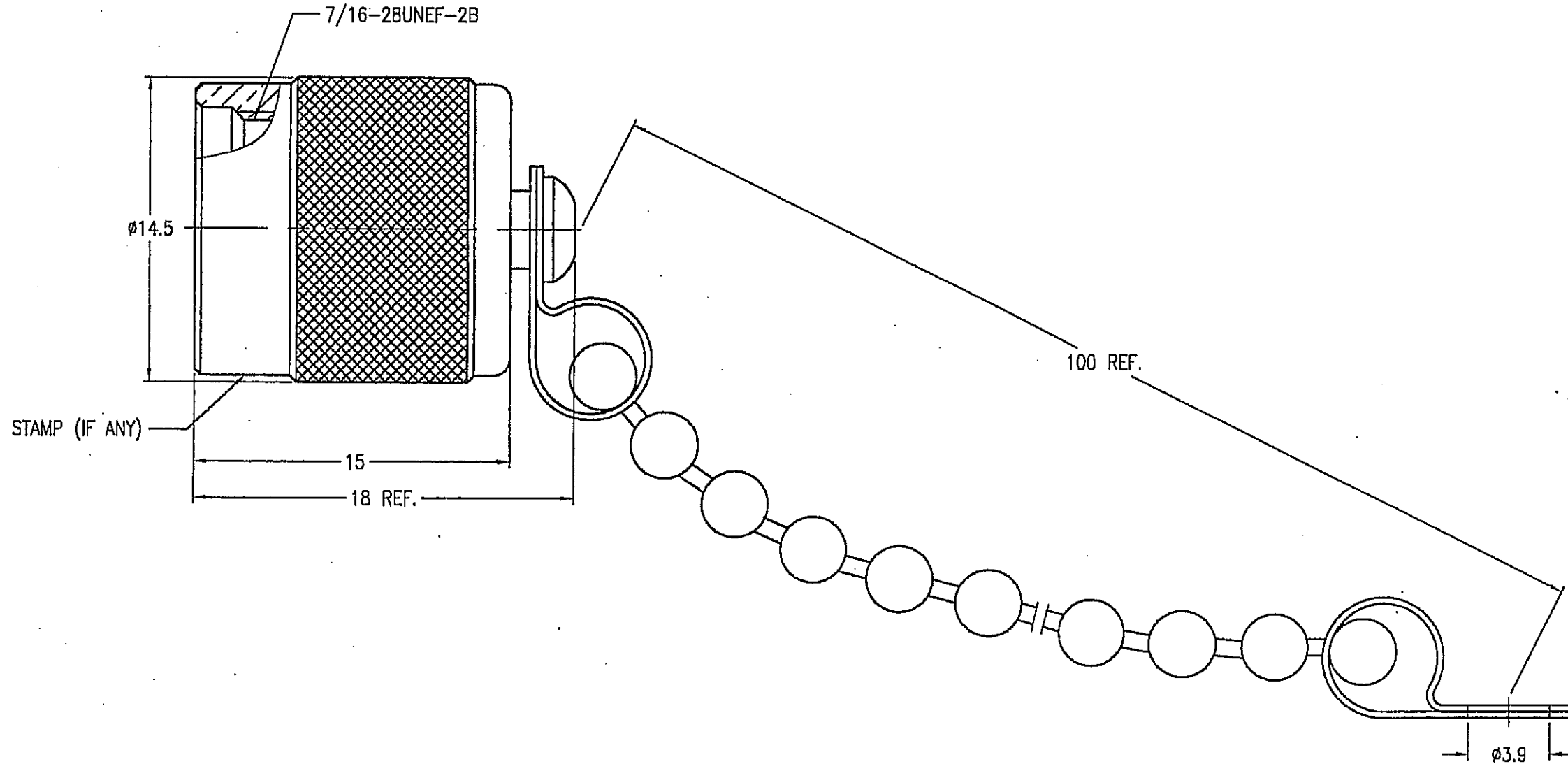
NOTES:

- MATERIALS AND FINISHES (PLATING THICKNESS IN MICRO-INCHES):
 SHELL - BRASS, NICKEL PLATING
 INSULATOR - PTFE

THIRD ANGLE PROJ.

REVISIONS

| REV | DESCRIPTION | DATE | ECO | APPR |
|-----|--------------------------|-----------|-------|-------|
| A | SEE SHEET 1 | 23-Oct-93 | | |
| B | SEE SHEET 1 | 6-Feb-95 | | |
| C | SEE SHEET 1 | 23-Sep-96 | | |
| C1 | SEE SHEET 1 | 4-May-04 | | |
| C2 | SEE SHEET 1 | 07-Dec-04 | | |
| D | SEE SHEET 1 | 8-Dec-04 | | AFSUM |
| E | REDRAWN TO UPDATE FORMAT | 18-Jan-08 | 47053 | ESZ |



CUSTOMER OUTLINE DRAWING

ALL OTHER SHEETS ARE FOR INTERNAL USE ONLY

UNLESS OTHERWISE SPECIFIED, DIMENSIONS ARE IN METRIC AND TOLERANCES ARE:
 0.5 - 6mm ±0.1mm 6 - 30mm ±0.2mm 30 - 120mm ± 0.3mm ANGLES ±1°

NOTICE - These drawings, specifications, or other data (1) are, and remain the property of Amphenol Corp. (2) must be returned upon request; and (3) are confidential and not to be disclosed to any person other than those to whom they are given by Amphenol Corp. The furnishing of these drawings, specifications, or other data by Amphenol Corp., or to any other person to anyone for any purpose is not to be regarded by implication or otherwise in any manner licensing, granting rights or permitting such holder or any other person to manufacture, use or sell any product, process or design, patented or otherwise, that may in any way be related to or disclosed by said drawings, specifications, or other data.

| | | | | | | | |
|-----------|-----------------------------------|-------------------|----------------------------------|------------------|--------------------------|--|--|
| MATERIAL | DRAWN AFSUM | DATE 17-Dec-04 | TITLE TNC MALE CAP WITH CHAIN | | | Amphenol RF Danbury CT USA, Tainan Taiwan, Shenzhen China www.amphenolrf.com | |
| REFERENCE | ENGINEER SCOTT | DATE 17-Dec-04 | DRAWING NO. T1005A1-N | | ITEM NO. 021005AAA00NHOF | | |
| FINISH | APPROVED SCOTT | DATE 17-Dec-04 | SCALE: 3/1 | SHEET 2 OF 2 | PART NO. 78750-RFX | | |
| | CAD FILE F:\DWG\T\1005A1\N-ESZ | | DWG SIZE B | CODE ID 74868 | REV E | | |

Mouser Electronics

Authorized Distributor

Click to View Pricing, Inventory, Delivery & Lifecycle Information:

[Amphenol:](#)

[000-78750-RFX](#)