

5

4

3

2

1


受控 CONTROLLED DOCUMENT

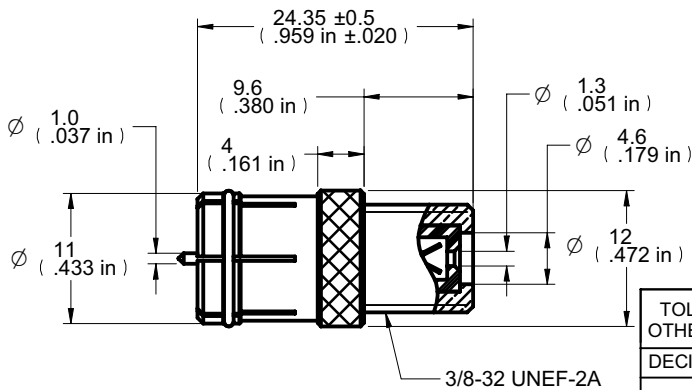
编号 P/N	25-7140-CUST	版本 Rev	01	日期 Rel'd Date	Apr29,09
-----------	--------------	-----------	----	------------------	----------

DRAWING NO. <b>25-7140-CUST</b>				
REVISIONS				
01	OFFICIAL RELEASE			
	03-10-09	Y	U	TH




Description: F Female To Push On Male  
 Part No: 25-7140  
 Application: Adapter  
 Crimp Tool: N/A  
 Impedance: 75 Ohms  
 Frequency Range: 0-750 MHz  
 Material: Body Brass Nickel plated  
 Contact Brass Nickel plated  
 Insulator Delin  
 Spring Steel Nickel plated  
 RoHS Compliance: Yes  
 Technical Detail: Refer to Emerson Document P/N 25-0000

<b>CUSTOMER COPY</b>		
 <b>cinch</b> <small>CONNECTIVITY SOLUTIONS</small> <small>a bel group</small>		
TITLE <b>F FEMALE TO PUSH ON MALE</b>		
SHEET 1 OF 1	DRAWING NO. <b>25-7140-CUST</b>	SIZE <b>A</b>



**DIM OUTLINE**

TOLERANCE UNLESS OTHERWISE SPECIFIED		DRAWN BY <b>BETTY.YU</b>	DATE 03-10-09
DECIMALS	mm	CHECKED BY <b>BETTY.YU</b>	DATE 03-10-09
X	± 0.5	APPROVED BY <b>THOMAS</b>	DATE 03-10-09
X.X	± 0.3	U/M	mm
X.XX	± 0.1		
ANGLES	± 0.5°		

THIS DRAWING WAS PRODUCED BY COMPUTER, DO NOT SCALE DRAWING OR UPDATE MANUALLY.

D

D

C

C

B

B

A

A

5

4

3

2

1

# Mouser Electronics

Authorized Distributor

Click to View Pricing, Inventory, Delivery & Lifecycle Information:

[Cinch Connectivity Solutions:](#)

[25-7140](#)