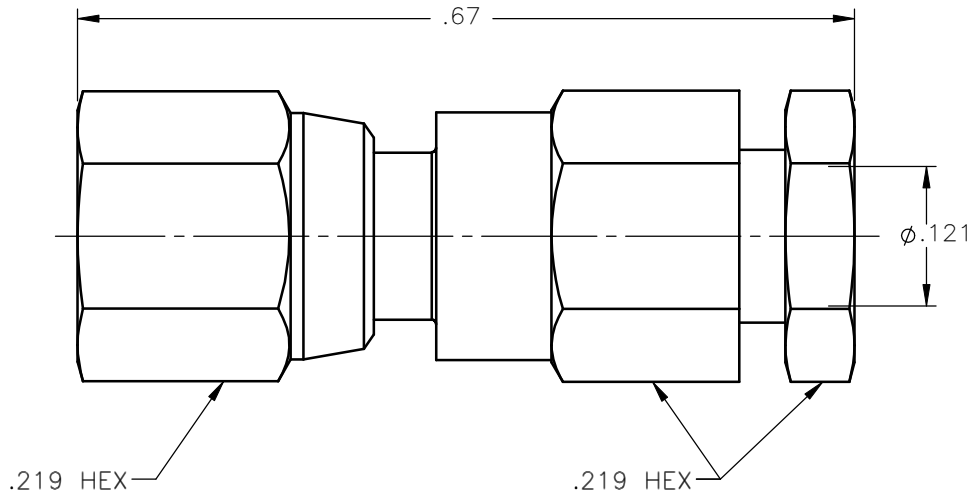


REVISIONS			
REV.	DESCRIPTION	DATE	APPROVED
A	INITIAL RELEASE	09/17/09	A.D.M.



NOTES:


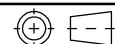
MATERIALS:

1. INSULATORS = VIRGIN WHITE TEFLON PER ASTM D1710, GRADE 1, TYPE I, CLASS "B".
2. CONTACT = BERYLLIUM COPPER PER ASTM B196, ALLOY C17300, TEMPER TD04.
3. ALL OTHER METAL PARTS = BRASS PER ASTM B16, ALLOY C36000, TEMPER H02.

FINISHES:

1. CONTACT = GOLD PLATE PER MIL-G-45204, TYPE II, CLASS 1, GRADE C, OVER .00010 TO .00020 STRESS FREE SULFAMATE NICKEL PER QQ-N-290.
2. ALL OTHER METAL PARTS = GOLD PLATE PER MIL-G-45204, TYPE II, CLASS 0, GRADE C, OVER .00010 TO .00020 COPPER STRIKE PER MIL-C-14550.

Property of Radiall Incorporated
 This document cannot be reproduced or
 communicated to a third party without prior
 written permission of RADIALL Incorporated.

UNLESS OTHERWISE SPECIFIED DIMENSIONS ARE IN INCHES TOLERANCES ON	DWN:	DATE	 APPLIED ENGINEERING PRODUCTS 104 John W. Murphy Dr. New Haven, CT 06513 a RADIALL company				
	A.D.M.	09/17/09					
DECIMAL	ANGLE	CHKD:	DATE	SMC STRAIGHT PLUG SOLDER-CLAMP TYPE FOR .085 S/R & SIMILAR CABLES			
		D.N.	09/17/09				
REFERENCE:		APVD:	DATE	SIZE	FSCM NO.	DWG NO.	REV
ORIGINATED: A.D.M. DATE: 09/17/09		J.M.	09/17/09	A	19505	1002-1541-010	A
MATERIALS & FINISHES:		SEE NOTES		SCALE	THIRD ANGLE PROJECTION		SHEET 1 OF 1
				6:1			

1002-1541-010

Mouser Electronics

Authorized Distributor

Click to View Pricing, Inventory, Delivery & Lifecycle Information:

Radial:

[1002-1541-010](#)