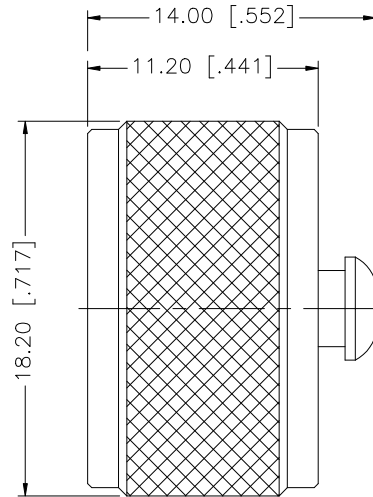


REV.	DATE	ECR NO.	DESCRIPTION
NC	06/07/99	-	INITIAL RELEASE
A	06/29/08	-	UPDATE DRAWING FORMAT



8				<small>UNLESS OTHERWISE SPECIFIED DIMENSIONS ARE IN MILLIMETERS. DIMENSIONS IN [] ARE IN INCHES AND FOR CUSTOMER REFERENCE ONLY.</small> <small>UNLESS OTHERWISE SPECIFIED TOLERANCES FOR MILLIMETERS ARE:</small> 0.5 - 8mm ± 0.20mm 8 - 30mm ± 0.40mm 30 - 120mm ± 0.50mm <small>UNLESS OTHERWISE SPECIFIED TOLERANCES FOR INCHES ARE:</small> .020 - .315 = ± 0.007" .315 - 1.180 = ± 0.015" 1.180 - 4.724 = ± 0.020"	APPROVALS	DATE	<h1 style="color: blue;">Amphenol Connex</h1>								
7					DRAWN	GRS					06/29/08	N MALE CAP - NO CHAIN			
6					CHECKED			<small>PART DESCRIPTION</small>							
5					ISSUED										
4					SHEET	1 OF 1		<small>DWG. NO.</small> 202102-10.DWG							
3	RIVET	BRASS	NICKEL	1	<small>CAD FILE</small> C:/202/202102-10.DWG		REV.					A	SIZE	A	SCALE
2	GASKET	SILICONE	RED	1	<small>DO NOT SCALE DRAWING</small>										
1	SHELL	BRASS	NICKEL	1											
	DESCRIPTION	MATERIAL	FINISH	QTY											

Mouser Electronics

Authorized Distributor

Click to View Pricing, Inventory, Delivery & Lifecycle Information:

[Amphenol:](#)

[202102-10](#) [202102-11](#)