

Customer Information Sheet

DRAWING No.: M80-500XXX

SHEET 2 OF 2

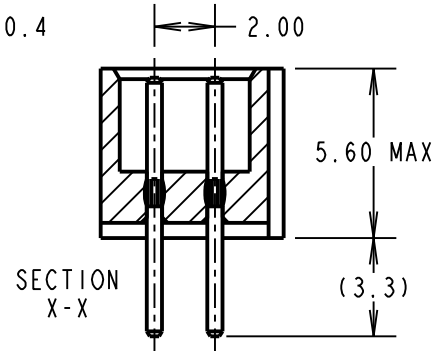
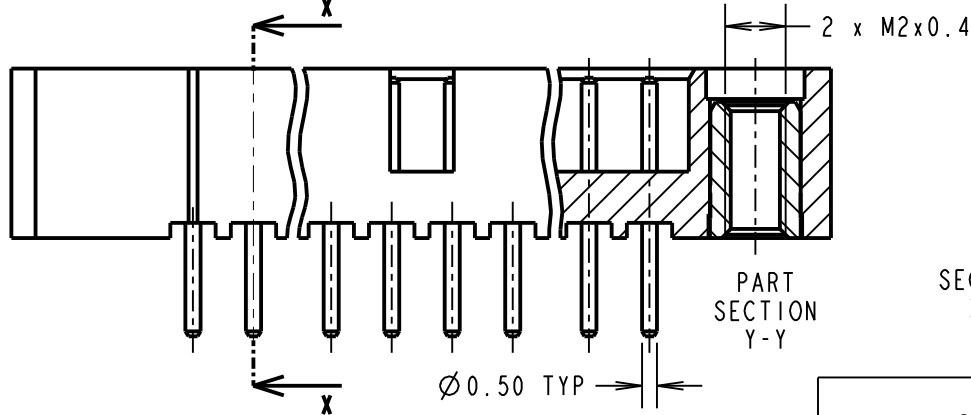
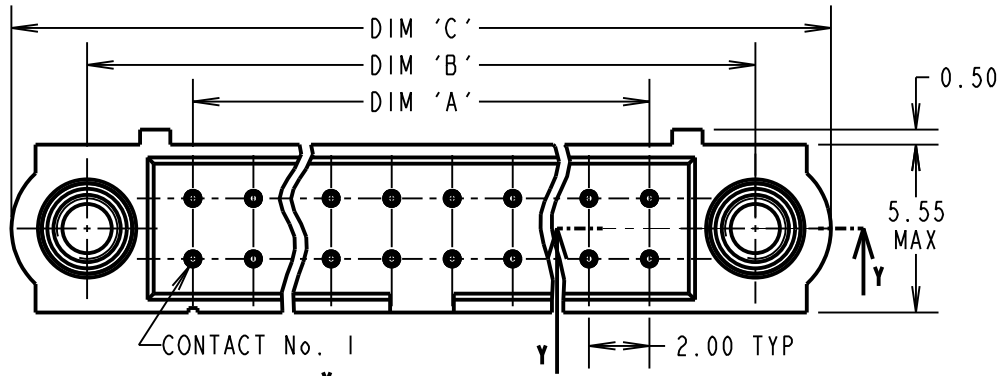
IF IN DOUBT - ASK

©

NOT TO SCALE

THIRD ANGLE PROJECTION

ALL DIMENSIONS IN mm



ORDER CODE:
M80-500XXX

No. OF CONTACTS
 04 TO 50
 (EVEN NUMBERS ONLY)

FINISH _____

05 - GOLD
 22 - SELECTIVE GOLD + TIN/LEAD
 42 - SELECTIVE GOLD + 100% TIN

SPECIFICATIONS:

MATERIAL:
 MOULDING = GLASS-FILLED PPS,
 UL94V-0, BLACK
 CONTACT = PHOSPHOR BRONZE
 JACKSCREW = STAINLESS STEEL
 FINISH: (ALL OVER NICKEL)
 05 = 0.75µm ALL OVER GOLD
 22 = 0.75µm GOLD ON CONTACT AREA,
 3µm 90/10 TIN/LEAD ON TAILS
 42 = 0.75µm GOLD ON CONTACT AREA,
 3µm 100% TIN ON TAILS

ELECTRICAL:
 CURRENT RATING AT 25°C = 3.0A MAX
 CURRENT RATING AT 85°C = 2.2A MAX
 WORKING VOLTAGE = 800V AC/DC
 VOLTAGE PROOF = 1200V AC/DC
 CONTACT RESISTANCE = 25mΩ MAX
 INSULATION RESISTANCE = 100MΩ MIN

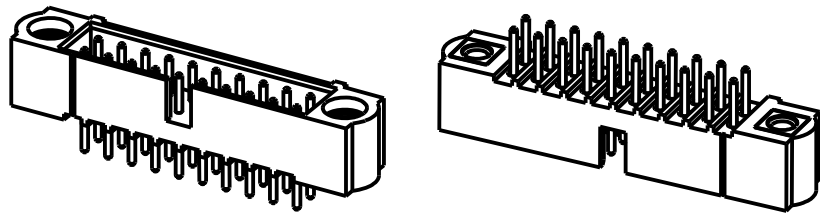
MECHANICAL:
 DURABILITY = 500 OPERATIONS

ENVIRONMENTAL:
 TEMPERATURE RANGE = -55°C TO +125°C

PACKING:
 TUBE

FOR COMPLETE SPECIFICATION, SEE
 COMPONENT SPECIFICATION C005XX
 (LATEST ISSUE)

NOTES:
 1. RECOMMENDED PCB HOLE
 SIZE = Ø0.70mm±0.05



DIMENSION	CALCULATION
DIM 'A'	TOTAL No. OF CONTACTS - 2.00
DIM 'B'	TOTAL No. OF CONTACTS + 5.00
DIM 'C'	TOTAL No. OF CONTACTS + 10.0
EXAMPLE: CONNECTOR WITH 20 CONTACTS, GOLD ON CONTACT AREA AND 100% TIN OVER NICKEL ON TAIL, M80-5002042.	
DIM 'A' = 18.00mm, DIM 'B' = 25.00mm, DIM 'C' = 30.0mm	

MGP	3	16.08.18	21475
NAME	ISS.	DATE	C/NOTE
APPROVED: MGP			
CHECKED: SB			
DRAWN: W. J. BOURNE			
CUSTOMER REF.:			
ASSEMBLY DRG:			

HARWIN

www.harwin.com
 technical@harwin.com

THIS DRAWING AND ANY INFORMATION OR DESCRIPTIVE MATTER SET OUT HEREON ARE CONFIDENTIAL AND COPYRIGHT PROPERTY OF THE HARWIN GROUP AND MUST NOT BE DISCLOSED, LOANED, COPIED OR USED FOR MANUFACTURING, TENDERING OR FOR ANY OTHER PURPOSE WITHOUT THEIR WRITTEN PERMISSION.

TOLERANCES
 X. = ±1mm
 X.X = ±0.50mm
 X.XX = ±0.10mm
 X.XXX = ±0.01mm

ANGLES = ±5°
 UNLESS STATED

MATERIAL:
 SEE ABOVE

FINISH: SEE ABOVE

S/AREA: mm²

TITLE: JACKSCREW DATAMATE
 DIL VERTICAL PC TAIL
 MALE ASSEMBLY

DRAWING NUMBER:
M80-500XXX

SHT
 2 OF 2

Mouser Electronics

Authorized Distributor

Click to View Pricing, Inventory, Delivery & Lifecycle Information:

Harwin:

[M80-5005022](#) [M80-5001422](#) [M80-5000622](#) [M80-5004222](#) [M80-5002022](#) [M80-5002642](#) [M80-5003442](#) [M80-5002042](#) [M80-5001442](#) [M80-5001042](#) [M80-5000642](#) [M80-5004242](#) [M80-5005042](#) [M80-5000422](#) [M80-5000442](#) [M80-5000842](#) [M80-5001022](#) [M80-5002622](#) [M80-5003422](#) [M80-5001222](#) [M80-5001242](#) [M80-5001822](#) [M80-5001842](#) [M80-5001642](#) [M80-5004042](#) [M80-5004405](#) [M80-5003842](#) [M80-5001405](#) [M80-5003642](#) [M80-5004442](#) [M80-5002442](#) [M80-5001205](#) [M80-5T22022B1-00-000-00-000](#) [M80-5T20605B1-00-000-00-000](#) [M80-5T22622B1-00-000-00-000](#) [M80-5T21005B1-00-000-00-000](#) [M80-5T22642B1-00-000-00-000](#) [M80-5T22042B1-00-000-00-000](#) [M80-5T21422B1-00-000-00-000](#) [M80-5T20622B1-00-000-00-000](#) [M80-5T21442B1-00-000-00-000](#) [M80-5T20642B1-00-000-00-000](#) [M80-5T21022B1-00-000-00-000](#) [M80-5T21042B1-00-000-00-000](#) [M80-5T21405B1-00-000-00-000](#) [M80-5T22605B1-00-000-00-000](#) [M80-5T22005B1-00-000-00-000](#) [M80-5000822](#) [M80-5003022](#) [M80-5001605](#) [M80-5005005](#) [M80-5000605](#)