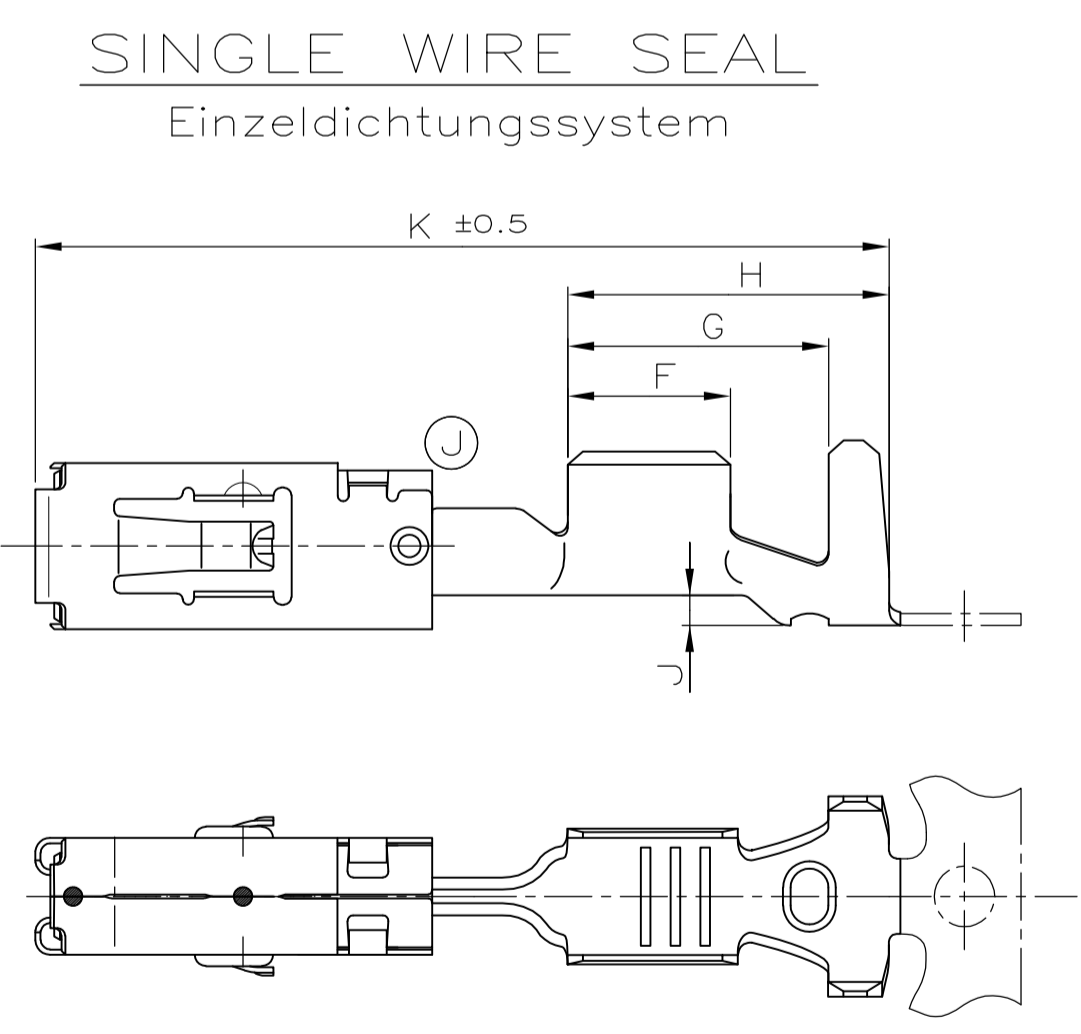
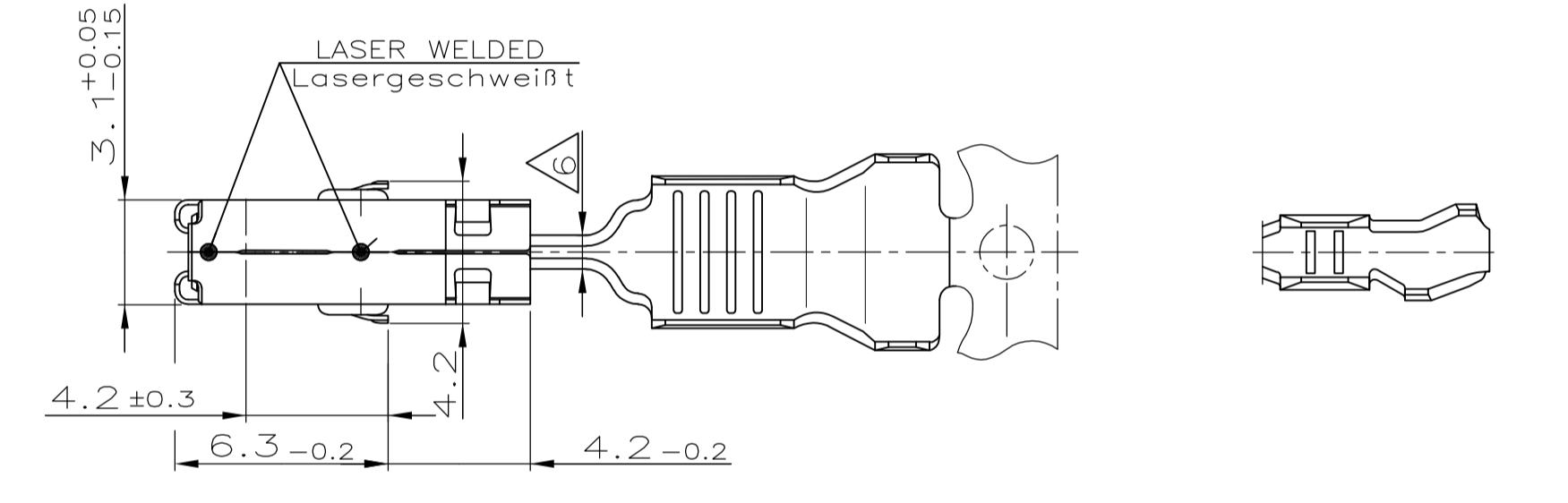
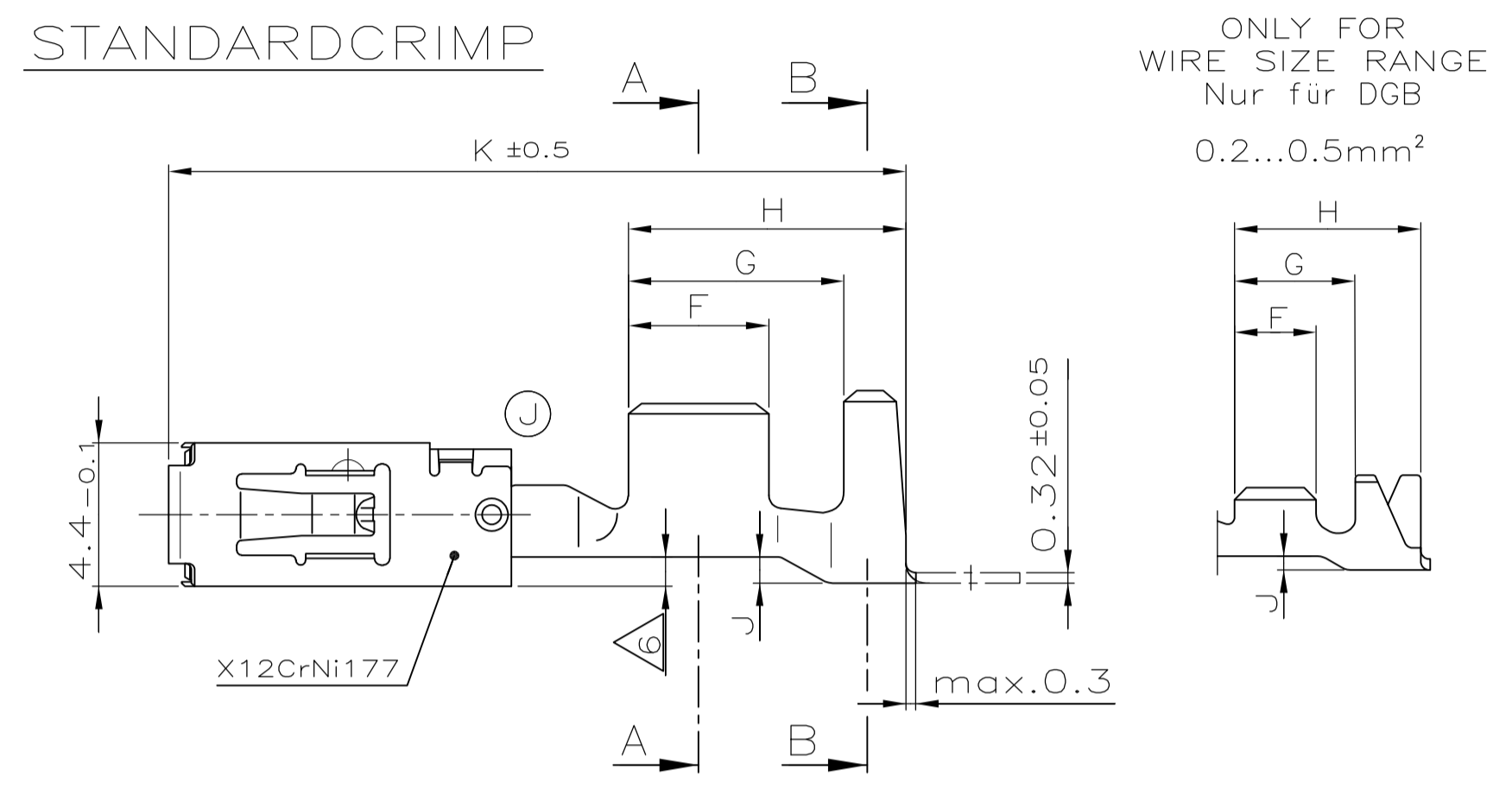
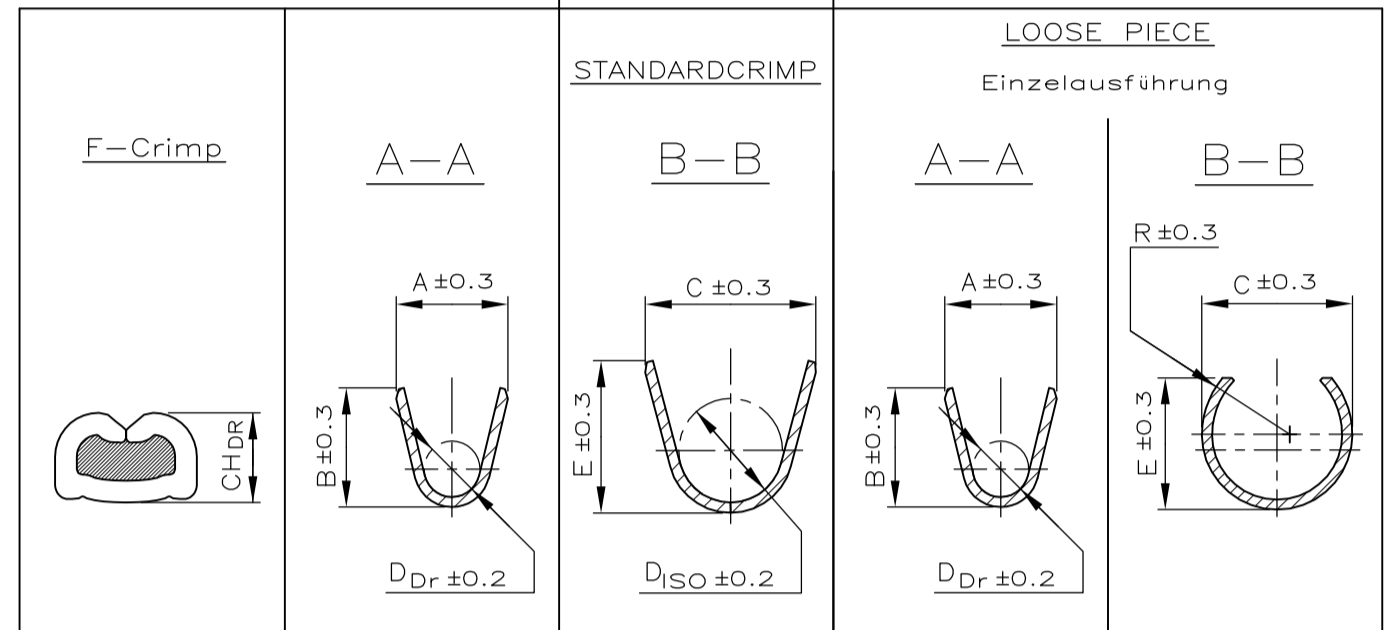
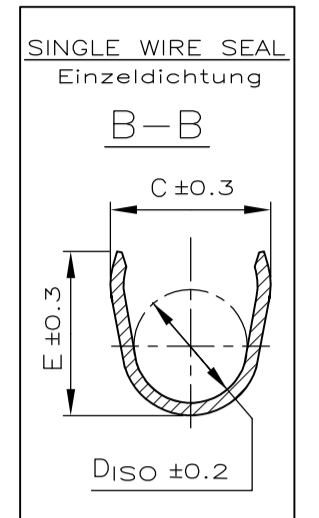


- REMARKS**
Bemerkungen
- MATING PART SEE INTERFACE DRAWING
AMP-Nr.: 114-18230-002
Gegenstecker nach Ausführungsvorschrift
AMP-Nr.: 114-18230-002
 - ONLY FOR FLR-WIRE SEE DIN 72551, PART 6
Nur für FLR-Leitung nach DIN 72551, Teil 6
 - APPLICATION OF CONTACTS VERSION A+B SEE
SPEC.:114-18148
Verarbeitung der Kontakte Ausführung A+B siehe
Spec.:114-18148
 - SURFACE:
- PRE TIN PLATED 1 TO 3 μm
- GOLD PLATED MIN. 2 μm (only contact area)
- SILVER PLATED 3 TO 5 μm (only contact area)
Oberfläche:
- verzinkt 1 bis 3 μm
- galv. vergoldet min. 2 μm (nur Kontaktzone)
- galv. versilbert 3 bis 5 μm (nur Kontaktzone)
 - DOUBLE CRIMPS ARE ONLY POSSIBLE WITH
APPLICATORS AUTHORIZED BY AMP (NO HAND TOOL!)
SUITABLE TOOLS ON REQUEST
Doppelanschlüsse sind nur mit von AMP zugelassenen
Anschlagwerkzeugen möglich (keine Handzangen)
passende Werkzeuge auf Anfrage
 - GAUGE INSPECTION
Lehrenprüfung
 - DETAILS OF DESIGN ARE LEFT TO MANUFACTURER
Einzelheiten der Ausführung bleiben dem Hersteller überlassen
ONLY THE GERMAN-LANGUAGE VERSION SHALL BE BINDING
Maßgebend ist der deutsche Text
 - IN THE TRANSITION SUPPLY OF REV. D PERMISSIBLE
Im Übergang Lieferung von Rev. D zulässig
 - PUNCHING OIL: RAZIOL CLF 11 SG
Stanzöl:



VERSION	Ausführung	ORDER-NO. STRIP FORM	Rev.	ORDER-NO. LOOSE PIECE	Rev.	MATERIAL	SURFACE	POSSIBLE DOUBLE CRIMPS	HAND TOOL	WIRE SIZE RANGE	CH OR	CRIMP DIMENSIONS / Crimpabmessungen											SINGLE WIRE SEAL	DEAD END PLUG						
												A	B	D _{Dr}	C	E	D _{ISO}	A	B	C	E	R			F	G	H	J	K	
1-1719506-3	A	-	-	-	-	CuNiSi	SILVER PLATED versilbert	-	-	12 AWG	-	4.0	4.2	2.0	5.0	5.0	3.5	-	-	-	-	-	-	3.5	5.9	7.5	0.8	21.0	828905-1	828922-1
1-1719506-1	A	-	-	-	-	CuNiSi	PRE TIN PLATED verzinkt	-	-	-	-	-	-	-	-	-	-	-	-	-	-	-	-	-	-	-	-	-	-	
1-968859-4	E	1-968877-4	E	1-968877-4	E	CuNiSi	SILVER PLATED versilbert	-	-	-	-	-	-	-	-	-	-	-	-	-	-	-	-	-	-	-	-	-	-	
1-968859-3	E	1-968877-3	E	1-968877-3	E	CuNiSi	SILVER PLATED versilbert	-	-	-	-	-	-	-	-	-	-	-	-	-	-	-	-	-	-	-	-	-	-	
1-968859-2	-	1-968877-2	-	1-968877-2	-	CuNiSi	GOLD PLATED vergoldet	-	-	-	-	-	-	-	-	-	-	-	-	-	-	-	-	-	-	-	-	-	-	
1-968859-1	E	1-968877-1	E	1-968877-1	E	CuNiSi	PRE TIN PLATED verzinkt	-	-	-	-	-	-	-	-	-	-	-	-	-	-	-	-	-	-	-	-	-	-	
1-968857-4	E	1-968876-4	E	1-968876-4	E	CuNiSi	SILVER PLATED versilbert	-	-	-	-	-	-	-	-	-	-	-	-	-	-	-	-	-	-	-	-	-	-	
1-968857-3	E	1-968876-3	E	1-968876-3	E	CuNiSi	SILVER PLATED versilbert	-	-	-	-	-	-	-	-	-	-	-	-	-	-	-	-	-	-	-	-	-	-	
1-968857-2	-	1-968876-2	-	1-968876-2	-	CuNiSi	GOLD PLATED vergoldet	-	-	-	-	-	-	-	-	-	-	-	-	-	-	-	-	-	-	-	-	-	-	
1-968857-1	E	1-968876-1	E	1-968876-1	E	CuNiSi	PRE TIN PLATED verzinkt	-	-	-	-	-	-	-	-	-	-	-	-	-	-	-	-	-	-	-	-	-	-	
1-968855-4	E	1-968875-4	E	1-968875-4	E	CuNiSi	SILVER PLATED versilbert	-	-	-	-	-	-	-	-	-	-	-	-	-	-	-	-	-	-	-	-	-	-	
1-968855-3	E	1-968875-3	E	1-968875-3	E	CuNiSi	SILVER PLATED versilbert	-	-	-	-	-	-	-	-	-	-	-	-	-	-	-	-	-	-	-	-	-	-	-
1-968855-2	E	1-968875-2	E	1-968875-2	E	CuNiSi	GOLD PLATED vergoldet	-	-	-	-	-	-	-	-	-	-	-	-	-	-	-	-	-	-	-	-	-	-	-
1-968855-1	E	1-968875-1	E	1-968875-1	E	CuNiSi	PRE TIN PLATED verzinkt	-	-	-	-	-	-	-	-	-	-	-	-	-	-	-	-	-	-	-	-	-	-	-
1-968882-3	E	1-968896-3	E	1-968896-3	E	CuNiSi	SILVER PLATED versilbert	-	-	-	-	-	-	-	-	-	-	-	-	-	-	-	-	-	-	-	-	-	-	-
1-968882-2	-	1-968896-2	-	1-968896-2	-	CuNiSi	GOLD PLATED vergoldet	-	-	-	-	-	-	-	-	-	-	-	-	-	-	-	-	-	-	-	-	-	-	-
1-968882-1	E	1-968896-1	E	1-968896-1	E	CuNiSi	PRE TIN PLATED verzinkt	-	-	-	-	-	-	-	-	-	-	-	-	-	-	-	-	-	-	-	-	-	-	-
1-968853-3	E	1-968874-3	E	1-968874-3	E	CuNiSi	SILVER PLATED versilbert	-	-	-	-	-	-	-	-	-	-	-	-	-	-	-	-	-	-	-	-	-	-	-
1-968853-2	-	1-968874-2	-	1-968874-2	-	CuNiSi	GOLD PLATED vergoldet	-	-	-	-	-	-	-	-	-	-	-	-	-	-	-	-	-	-	-	-	-	-	-
1-968853-1	E	1-968874-1	E	1-968874-1	E	CuNiSi	PRE TIN PLATED verzinkt	-	-	-	-	-	-	-	-	-	-	-	-	-	-	-	-	-	-	-	-	-	-	-
1-968851-3	E	1-968873-3	E	1-968873-3	E	CuNiSi	SILVER PLATED versilbert	-	-	-	-	-	-	-	-	-	-	-	-	-	-	-	-	-	-	-	-	-	-	-
1-968851-2	E	1-968873-2	E	1-968873-2	E	CuNiSi	GOLD PLATED vergoldet	-	-	-	-	-	-	-	-	-	-	-	-	-	-	-	-	-	-	-	-	-	-	-
1-968851-1	E	1-968873-1	E	1-968873-1	E	CuNiSi	PRE TIN PLATED verzinkt	-	-	-	-	-	-	-	-	-	-	-	-	-	-	-	-	-	-	-	-	-	-	-
1-968849-3	E	1-968872-3	E	1-968872-3	E	CuNiSi	SILVER PLATED versilbert	-	-	-	-	-	-	-	-	-	-	-	-	-	-	-	-	-	-	-	-	-	-	-
1-968849-2	E	1-968872-2	E	1-968872-2	E	CuNiSi	GOLD PLATED vergoldet	-	-	-	-	-	-	-	-	-	-	-	-	-	-	-	-	-	-	-	-	-	-	-
1-968849-1	E	1-968872-1	E	1-968872-1	E	CuNiSi	PRE TIN PLATED verzinkt	-	-	-	-	-	-	-	-	-	-	-	-	-	-	-	-	-	-	-	-	-	-	-
1-968880-3	E	1-968895-3	E	1-968895-3	E	CuNiSi	SILVER PLATED versilbert	-	-	-	-	-	-	-	-	-	-	-	-	-	-	-	-	-	-	-	-	-	-	-
1-968880-2	-	1-968895-2	-	1-968895-2	-	CuNiSi	GOLD PLATED vergoldet	-	-	-	-	-	-	-	-	-	-	-	-	-	-	-	-	-	-	-	-	-	-	-
1-968880-1	E	1-968895-1	E	1-968895-1	E	CuNiSi	PRE TIN PLATED verzinkt	-	-	-	-	-	-	-	-	-	-	-	-	-	-	-	-	-	-	-	-	-	-	-

THIS DRAWING IS A CONTROLLED DOCUMENT.
DIESE ZEICHNUNG IST EIN KONTROLLIERTES DOKUMENT.

DIMENSIONS: DIMENSIONEN	mm	DATE: 22.09.97	BY: S. Blidor
MATERIAL	-	DATE: 22.09.97	CHK: G. Hotea
FINISH / OBERFLÄCHE/FARBE	-	DATE: 22.09.97	APVD: J. Woller
WEIGHT / GEWICHT	-	PRODUCT SPEC: 108-18513	NAME: PRODUCT GROUP DRAWING FOR
CUSTOMER DRAWING / KUNDENZEICHNUNG	A1 00779	APPLICATION SPEC: 114-18148	AMP MCP2.8
SCALE: MASSSTAB	5:1	DRAWING NO. (REPLACES 116-18018-001)	RESTRICTED TO: -
SHEET: BLATT	1	REV: J4	