

SC

SINGLEMODE FIBER OPTIC CONNECTOR

Outer plug body and boot: color green

Series

F728

Packaging

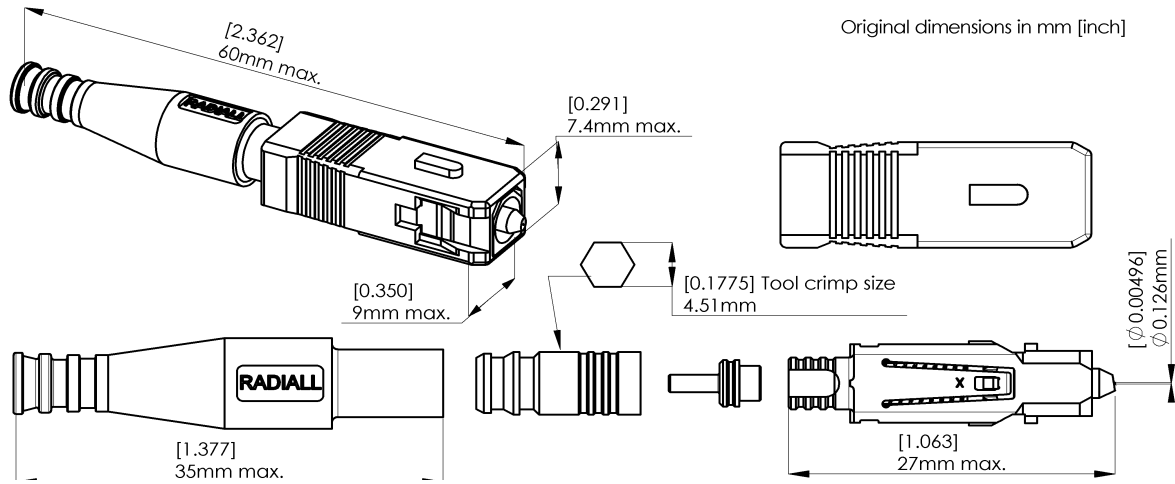
100

Issue

30Dec.10

Page

1/1



GENERAL

Type : IEC 61754-4 type SC
 singlemode pre-radius and pre-angled 8° zirconia AP C ceramic ferrule (pencil type)
 Push-pull latching system, floating ferrule
 360° tunable (adjustable to 6 positions for optimization of random insertion loss)

Ferrule size : 126 µm
Fiber size : 9.5/125µm, singlemode

Cable : Ø 3mm, tight or semi loose structure

Cabling proc. : Refer to 503 08 400 (D 6121 oe), assembly instruction manual

CHARACTERISTICS (Dependant on fiber or cable construction)

Optical : Attenuation at 1310 and 1550nm, LD

| | STD | TUNED | (IEC 61300-2-40) |
|--------------------|--------------|--------------|--|
| Mean | < 0.2 dB | < 0.2 dB | (Attenuation plug mated with reference plug IEC 61300-3-4) |
| Standard deviation | 0.15 dB | 0.15dB | |
| Max | < 0.8dB, 97% | <0.6 dB, 99% | (Attenuation of random mated connectors IEC 61300-3-34) |
| Mean | 0.25 dB | 0.15dB | |
| Repeatability | 0.10 dB | 0.10dB | (Maximum loss variation, IEC 61300-2-2) |
| Return loss | >60 dB | >60 dB | (IEC 61300-3-6) |

Mechanical : Mechanical endurance 500 matings
 Cable retention 100 N

Environmental : Temperature range (storage/operating) -40 to +85 °C

| | | | | | |
|------------------|------------|---|------|-------|---|
| CREATION | | | | | RADIALL® 101, rue P. Hoffmann 93116 ROSNY/BOIS FRANCE Tel : (33) 0149353535 Fax : (33) 0148546363 |
| N°: | | | | | |
| PEN/EP: CAT. | | | | | |
| Name: PB | | | | | |
| Date: 11 Aug. 99 | 30 Dec. 10 | Mise à jour performances optiques et mécaniques | SP | HD | |
| Appr.: LV | Issue | Revisions | Name | Appr. | |

Mouser Electronics

Authorized Distributor

Click to View Pricing, Inventory, Delivery & Lifecycle Information:

Radial:

[F728132700](#)