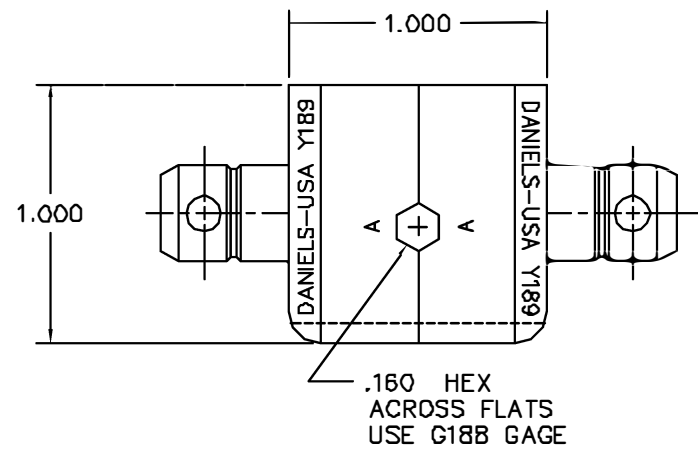
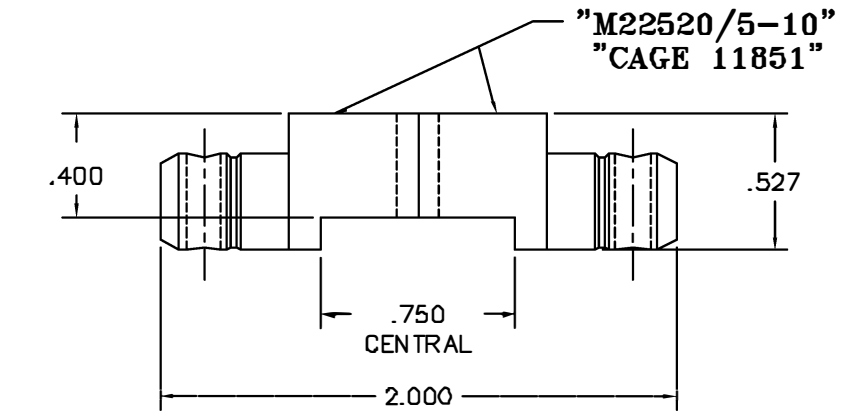



REVISIONS				
REV. SYM.	E.C.D. NUMBER	DESCRIPTION	BY DATE	APP'D DATE
1		ORIGINAL RELEASE	LW 4/20/88	TS 4/88



**UNCONTROLLED DOCUMENT
WILL NOT BE UPDATED**

RESTRICTED & CONFIDENTIAL CONFIDENTIAL PROPERTY OF DANIELS MANUFACTURING CORP. NOT TO BE DISCLOSED TO OTHERS, REPRODUCED OR USED FOR ANY OTHER PURPOSE, EXCEPT AS AUTHORIZED IN WRITING BY DANIELS MANUFACTURING. MUST BE RETURNED TO DANIELS MANUFACTURING CORP. ON COMPLETION OF ORDER OR OTHER PURPOSE FOR WHICH LENT.	MATERIAL	ITEM	PART NO.	QTY.	DESCRIPTION/REMARKS			
	HEAT TREAT	DRW. LW	DATE 4/20/88		 DANIELS MANUFACTURING CORP. ORLANDO, FLORIDA CAGE 11851			
FINISH	CHK'D. TS	DATE 4/21/88				TITLE		
	DO NOT SCALE DRAWING	APP'D. WJP	DATE 4/20/88		DIE SET (M22520/5-10) ENVELOPE DRAWING			
		APP'D. AAM	DATE 4/21/88		WHERE USED			
					SIZE 8	SCALE 2/1	DWG P/N Y189-ENV	SHEET 1 OF 1
					POSTING	P/N Y189-ENV	REV. 1	

Mouser Electronics

Authorized Distributor

Click to View Pricing, Inventory, Delivery & Lifecycle Information:

[Daniels Manufacturing:](#)

[Y189](#)