

Customer Information Sheet

DRAWING No.: M80-852XXXX

SHEET 2 OF 2

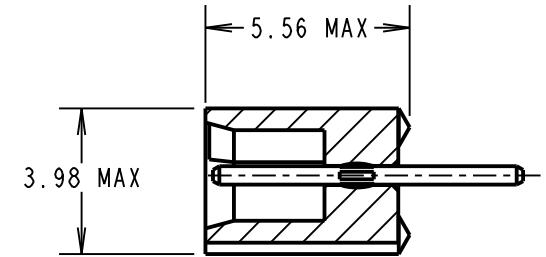
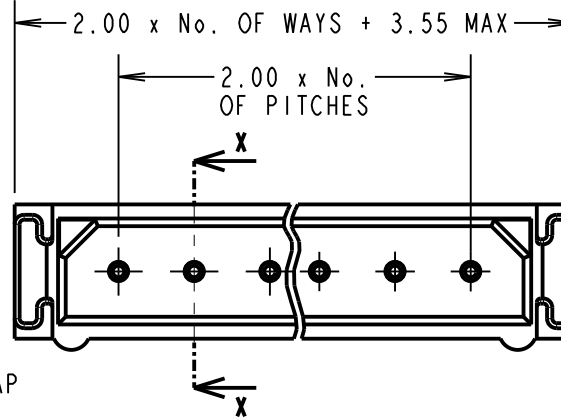
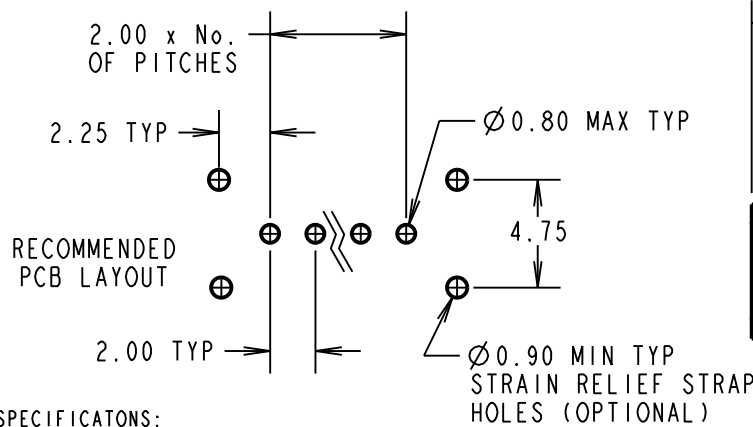
IF IN DOUBT - ASK

©

NOT TO SCALE

THIRD ANGLE PROJECTION

ALL DIMENSIONS IN mm



SECTION X-X

SPECIFICATIONS:

MATERIAL:

MOULDING = POLYAMIDE 46 UL94V-0, BLACK
CONTACTS = PHOSPHOR BRONZE

FINISH:

CONTACTS:

- 22 = 0.75µ GOLD ON CONTACT AREA,
3µ 90/10 TIN/LEAD ON TAILS
- 42 = 0.75µ GOLD ON CONTACT AREA,
3.0µ 100% TIN OVER NICKEL ON TAILS
- 45 = 0.75µ GOLD

ELECTRICAL:

- CURRENT RATING (25°C) = 3.0A MAX.
- CURRENT RATING (85°C) = 2.2A MAX.
- WORKING VOLTAGE = 800V AC/DC
- VOLTAGE PROOF = 1200V AC/DC
- CONTACT RESISTANCE (INITIAL) = 20 mΩ MAX.
- CONTACT RESISTANCE (AFTER CONDITIONING) = 25 mΩ MAX.
- INSULATION RESISTANCE (INITIAL) = 1000 MΩ MIN.
- INSULATION RESISTANCE (AFTER CONDITIONING) = 100 MΩ MIN.

MECHANICAL:

- DURABILITY = 500 OPERATIONS
- INSERTION FORCE (Ø0.5mm GAUGE) = 2.8N MAX
- WITHDRAWAL FORCE (Ø0.5mm GAUGE) = 0.2N MIN

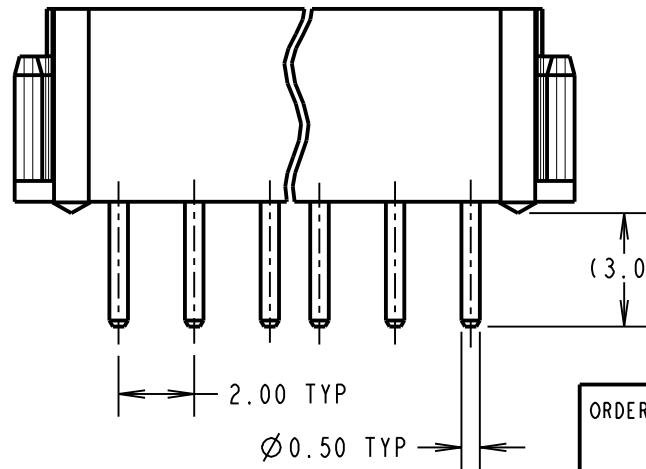
ENVIRONMENTAL:

TEMPERATURE RANGE = -55°C TO +125°C

PACKING:

TUBE

FOR COMPLETE SPECIFICATION,
SEE COMPONENT SPECIFICATION C005XX (LATEST ISSUE)



NOTES:

1. 2-OFF STRAIN RELIEF STRAPS M80-0030006 MAY BE USED WITH THIS CONNECTOR.

OBSOLETE

Pin counts 17 and 22
Last Time Buy 21-Aug-2020

ORDER CODE: **M80-852XXXX**

TOTAL No. OF WAYS _____
02 - 07, ~~17, 22.~~

FINISH: _____
22 = SELECTIVE GOLD + TIN/LEAD
42 = SELECTIVE GOLD + 100% TIN
45 = GOLD

SB	7	05.03.12	11672
NAME	ISS.	DATE	C/NOTE
APPROVED:		S.BENNETT	
CHECKED:		S.FLOWER	
DRAWN:		I. SANDY	
CUSTOMER REF.:			
ASSEMBLY DRG:			

HARWIN

www.harwin.com
technical@harwin.com

THIS DRAWING AND ANY INFORMATION OR DESCRIPTIVE MATTER SET OUT HEREON ARE CONFIDENTIAL AND COPYRIGHT PROPERTY OF THE HARWIN GROUP AND MUST NOT BE DISCLOSED, LOANED, COPIED OR USED FOR MANUFACTURING, TENDERING OR FOR ANY OTHER PURPOSE WITHOUT THEIR WRITTEN PERMISSION.

TOLERANCES
X. = ±1mm
X.X = ±0.25mm
X.XX = ±0.10mm
X.XXX = ±0.01mm
ANGLES = ±5°
UNLESS STATED

MATERIAL:
SEE ABOVE
FINISH:
SEE ABOVE
S/AREA: mm²

TITLE: DATAMATE SIL
VERTICAL PC TAIL PLUG
ASSEMBLY (RoHS)
DRAWING NUMBER:
M80-852XXXX

SHT
2
OF 2

Mouser Electronics

Authorized Distributor

Click to View Pricing, Inventory, Delivery & Lifecycle Information:

[Harwin:](#)

[M80-8521722](#) [M80-8520722](#) [M80-8520542](#) [M80-8521742](#) [M80-8520342](#) [M80-8520742](#) [M80-8520442](#) [M80-8520642](#) [M80-8520245](#) [M80-8520242](#) [M80-8522242](#) [M80-8520345](#) [M80-8520445](#) [M80-8520545](#) [M80-8520645](#) [M80-8520745](#) [M80-8521745](#) [M80-8522245](#) [M80-8522222](#) [M80-8520322](#) [M80-8520622](#) [M80-8520522](#) [M80-8520422](#)