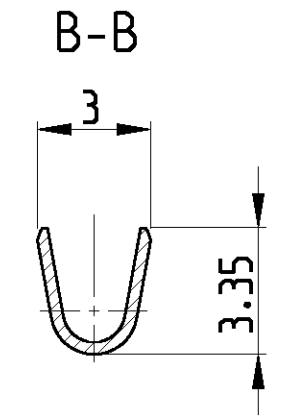
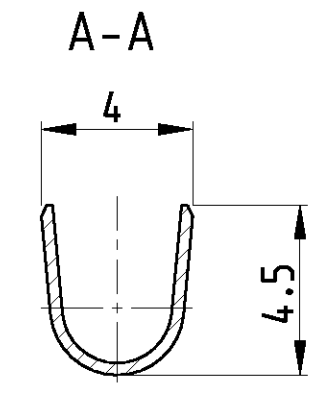
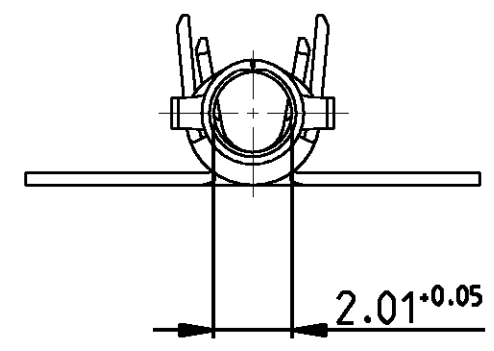
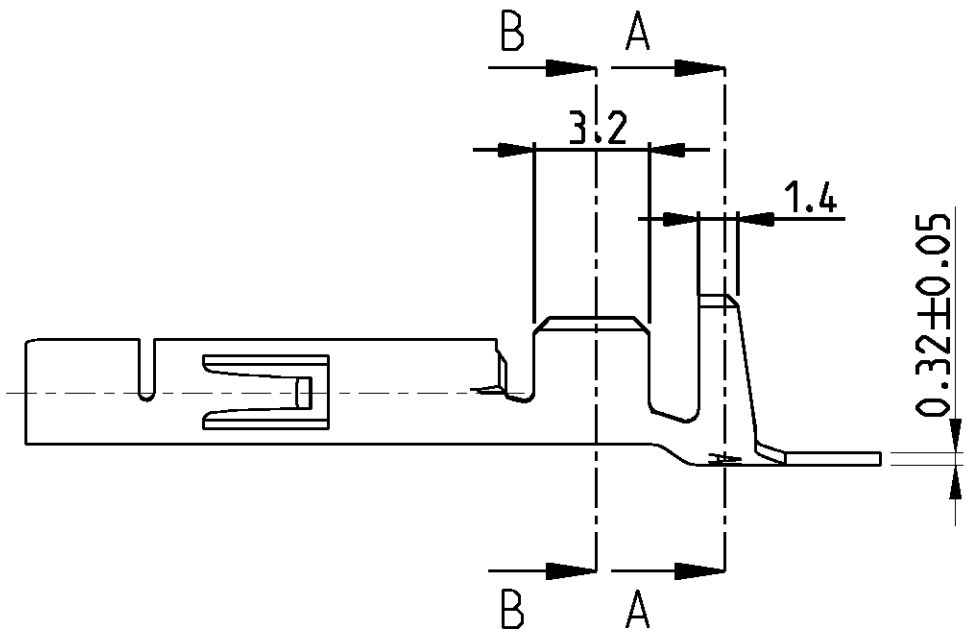


THIS DRAWING IS UNPUBLISHED. RELEASED FOR PUBLICATION 2005
 © COPYRIGHT 2005 BY TYCO ELECTRONICS CORPORATION. ALL RIGHTS RESERVED.

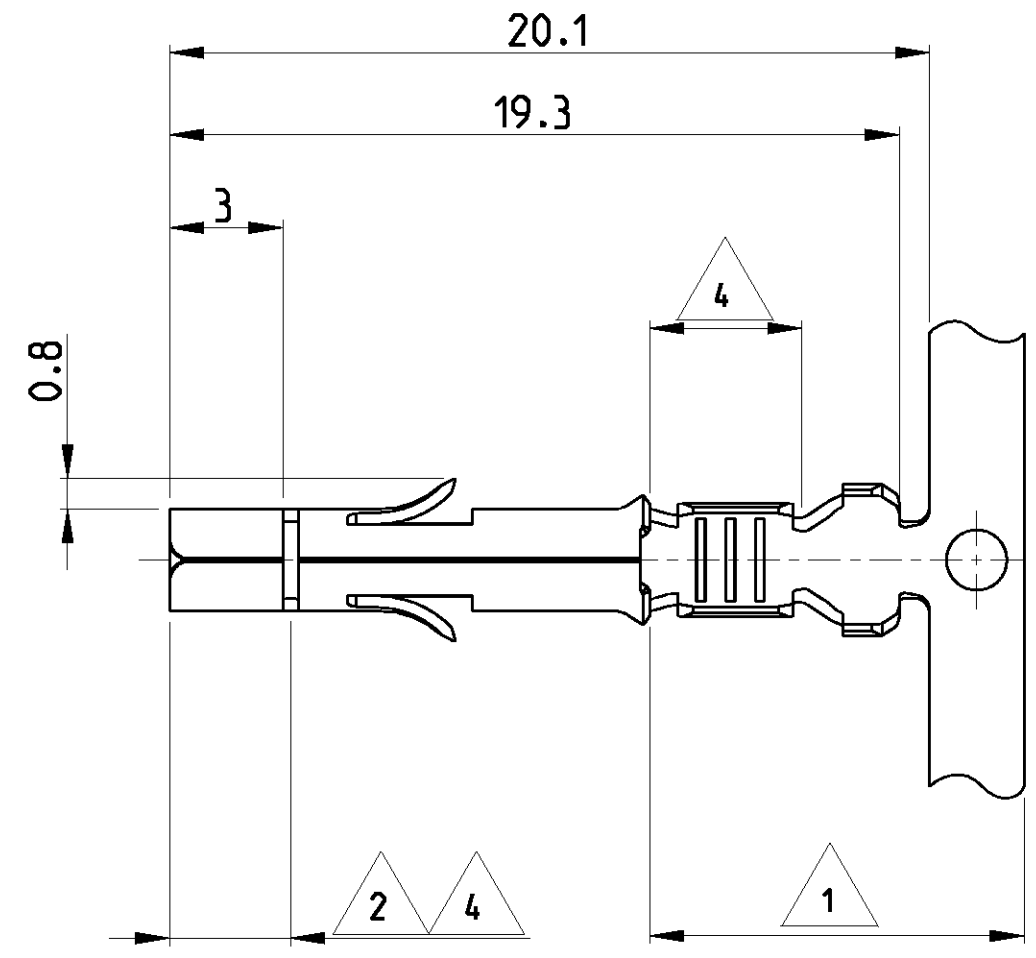
LOC	DIST	REVISIONS				
P	LTR	DESCRIPTION	DATE	DWN	APVD	
AL	2	M	REDRAWN IN CAD	080CT2009	JS	JS



NOTES:

Bemerkungen:

- 1 2-6 µm Sn OVER Ni IN CRIMP-AREA
2-6 µm Sn über Ni in der Crimpzone
- 2 0.8 µm Au OVER Ni IN CONTACT-AREA
0.8 µm Au über Ni in der Kontaktzone
- 3 SUITABLE FOR Ø1.0-2.5mm
Für Isolations Ø1.0-2.5mm geeignet
- 4 0.8 µm Au OVER 1.3 µm Ni ON INSIDE OF WIRE BARREL AND CONTACT AREA
0.8 µm Au über 1.3 µm Ni in der Drahtcrimp und Kontaktzonen, sonst 1.3 µm Ni



OBSOLETE

107-3, FIG.2		926882-8	CuZn30	PRE-TIN
107-3, FIG.1	926893-7	926884-7	CuZn30	1 2
107-3, FIG.1	926893-6	926884-6	CuSn4	1 2
107-3, FIG.1	926893-5	926882-5	CuCrZr	PRE-TIN
107-3, FIG.1	926893-4	926882-4	CuCrZr	PLAIN
107-3, FIG.1	926893-3	926882-3	CuSn4	PRE-TIN
107-3, FIG.1	926893-2	926882-2	CuZn30	4
107-3, FIG.1	926893-1	926882-1	CuZn30	PRE-TIN
REELING	LOOSE PIECE	PART NO.	MATERIAL	FINISH

THIS DRAWING IS A CONTROLLED DOCUMENT FOR TYCO ELECTRONICS CORPORATION. IT IS SUBJECT TO CHANGE AND THE CONTROLLING ENGINEERING ORGANIZATION SHOULD BE CONTACTED FOR THE LATEST REVISION.

DIMENSIONS:	TOLERANCES UNLESS OTHERWISE SPECIFIED:
mm	
0 PLC	±0.2
1 PLC	±0.2
2 PLC	±0.2
3 PLC	±
4 PLC	±
ANGLES	±1°
MATERIAL	FINISH
SEE TABLE	SEE TABLE

DWN	J.Skoda	29NOV2005	tyco Tyco Electronics AMP España SA	
CHK	R.Vlcek	-	Barcelona, Spain	
APVD	M.Bleicher	-	NAME	
PRODUCT SPEC	108-1031		UNIVERSAL MNL Socket	
APPLICATION SPEC	114-18011		0.5-2.1 mm ² WIRE RANGE	
WEIGHT	-		SIZE	RESTRICTED TO
CUSTOMER DRAWING		SCALE	A3 00779 C=926882	-
		SHEET	1 OF 1	REV
			5:1	M