

SACC-E-MINM-2CON-NPT12-U20/1,0 - Flush-type connector



1417768

<https://www.phoenixcontact.com/us/products/1417768>

Please be informed that the data shown in this PDF document is generated from our online catalog. Please find the complete data in the user documentation. Our general terms of use for downloads are valid.



Flush-type connector, 2-position, Plug, straight, 7/8"-16UNF, on free cable end, Front mounting, with 1/2 inch-14 NPT mounting thread, Individual wires, cable length: 1 m, 1.50 mm², PVC litz wire

Commercial data

Item number	1417768
Packing unit	1 pc
Note	Made to order (non-returnable)
Sales key	BF14
Product key	BF2ICA
GTIN	4055626341408
Weight per piece (including packing)	22.22 g
Weight per piece (excluding packing)	22.22 g
Customs tariff number	85444290
Country of origin	MX

SACC-E-MINM-2CON-NPT12-U20/1,0 - Flush-type connector



1417768

<https://www.phoenixcontact.com/us/products/1417768>

Technical data

Notes

Trade restriction

CE note	The products are offered exclusively for export outside the EU and the European Economic Area.
---------	--

Mounting

Mounting type	Front mounting, with 1/2 inch-14 NPT mounting thread
Connection method	Individual wires

Product properties

Product type	Circular connectors (device side)
Number of positions	2
No. of cable outlets	1
Shielded	no

Insulation characteristics

Degree of pollution	3
---------------------	---

Material specifications

Flammability rating according to UL 94	V-0
Housing surface material	Al anodized
Contact material	Copper alloy
Contact surface material	Au
Contact carrier material	PVC
Material for screw connection	Anodized aluminum

Electrical properties

Insulation resistance	$\geq 100 \text{ M}\Omega$
Nominal voltage U_N	600 V AC 600 V DC
Nominal current I_N	13 A

Connection data

Conductor connection

Connection method	Individual wires
Contact connection type	Pin
Conductor cross section	1.5 mm ²
Tightening torque	10 lb _f -in.

Mechanical properties

Mechanical data

SACC-E-MINM-2CON-NPT12-U20/1,0 - Flush-type connector



1417768

<https://www.phoenixcontact.com/us/products/1417768>

Insertion/withdrawal cycles	> 500
-----------------------------	-------

Connector

Connection 1

Head design	Plug
Head cable outlet	straight
Head thread type	7/8"-16UNF

Connection 2

Head design	free cable end
-------------	----------------

Cable/line

Cable length	1 m
Cable type	PVC litz wire
Wire diameter incl. insulation	2.6 mm
Single wire, color	white 1, black 2
Conductor structure signal line	26 x AWG 30
AWG signal line	16
Material wire insulation	PVC
Thickness, insulation	Core insulation

Environmental and real-life conditions

Ambient conditions

Degree of protection	IP68
	IP68
Ambient temperature (operation)	-20 °C ... 80 °C (Plug)
	-20 °C ... 80 °C (cable, fixed installation)

Standards and regulations

Standard designation	7/8" connector
Standards/specifications	UL 2238
Note	Suitable for use in Class I, Division 2 Groups A, B, C, D hazardous locations according to ISA standard 12.12.01-2015, section 8.2 and 8.8.3

SACC-E-MINM-2CON-NPT12-U20/1,0 - Flush-type connector

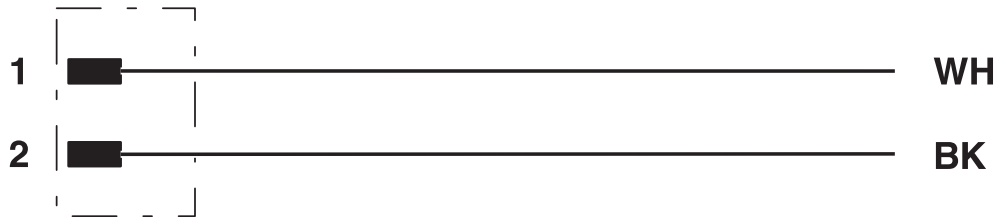


1417768

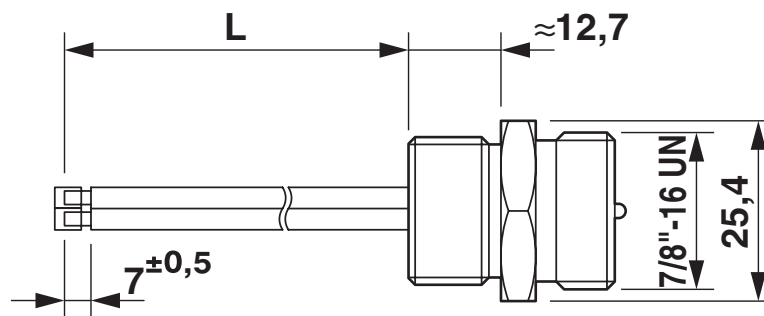
<https://www.phoenixcontact.com/us/products/1417768>

Drawings

Circuit diagram

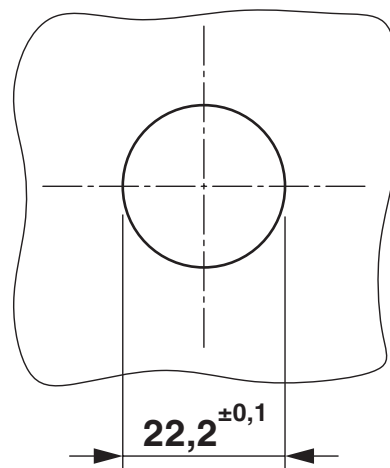


Dimensional drawing



7/8" flush-type plug

Dimensional drawing



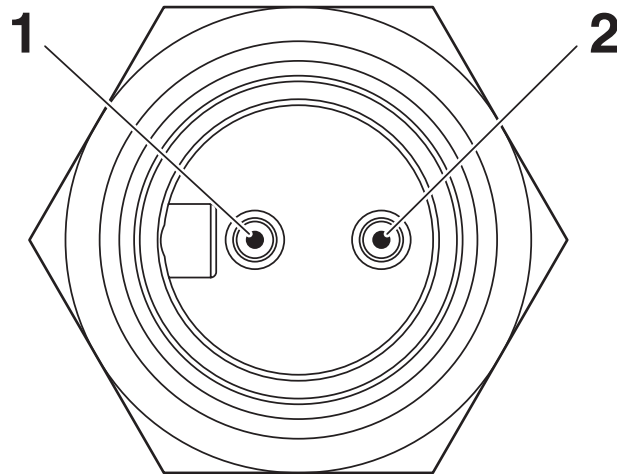
Housing cutout

SACC-E-MINM-2CON-NPT12-U20/1,0 - Flush-type connector

1417768

<https://www.phoenixcontact.com/us/products/1417768>

Schematic diagram



Pin assignment, plug, 7/8"-16UNF, 2-pos., view of male side (reference image)

SACC-E-MINM-2CON-NPT12-U20/1,0 - Flush-type connector





1417768

<https://www.phoenixcontact.com/us/products/1417768>

Approvals

To download certificates, visit the product detail page: <https://www.phoenixcontact.com/us/products/1417768>

 **UL Listed**
Approval ID: FILE E 221474

 **cUL Listed**
Approval ID: FILE E 221474

cULus Listed

SACC-E-MINM-2CON-NPT12-U20/1,0 - Flush-type connector



1417768

<https://www.phoenixcontact.com/us/products/1417768>

Classifications

ECLASS

ECLASS-11.0	27440109
ECLASS-12.0	27440109
ECLASS-13.0	27440109

ETIM

ETIM 8.0	EC003569
----------	----------

UNSPSC

UNSPSC 21.0	39121413
-------------	----------

SACC-E-MINM-2CON-NPT12-U20/1,0 - Flush-type connector



1417768

<https://www.phoenixcontact.com/us/products/1417768>

Environmental product compliance

China RoHS	Environmentally friendly use period: unlimited = EFUP-e
	No hazardous substances above threshold values

SACC-E-MINM-2CON-NPT12-U20/1,0 - Flush-type connector



1417768

<https://www.phoenixcontact.com/us/products/1417768>

Accessories

SACC-1/2 NPT-LOCKNUT - Lock nut

1020362

<https://www.phoenixcontact.com/us/products/1020362>

Locknut, 1/2 inch-14 NPT thread



SACC-MIN-SEAL - Seal

1020363

<https://www.phoenixcontact.com/us/products/1020363>

Seal for MINI 7/8-inch panel feed through with 1/2 inch-14 NPT thread



Phoenix Contact 2023 © - all rights reserved

<https://www.phoenixcontact.com>

Phoenix Contact USA
586 Fulling Mill Road
Middletown, PA 17057, United States
(+717) 944-1300
info@phoenixcon.com