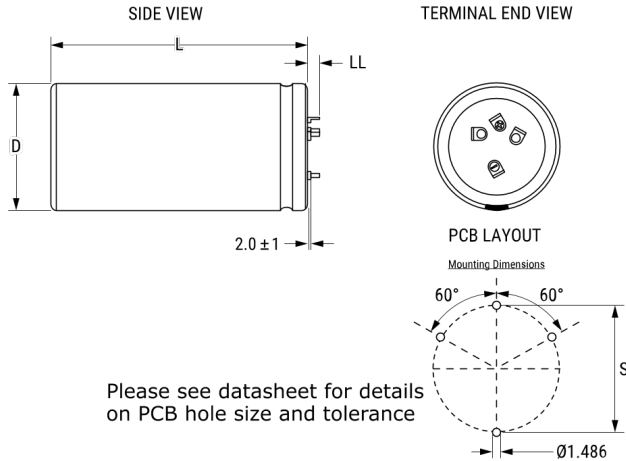


ALF80C561EF450

Aliases (A557HH561M450C)

ALF80, Aluminum Electrolytic, 560 uF, 20%, 450 VDC, -40/+105°C



Click [here](#) for the 3D model.

Dimensions

| | |
|----|--------------------|
| D | 40mm +1mm |
| L | 50mm +/-2mm |
| S | 22.5mm +/-0.1mm |
| LL | 5.5mm +/-1mm |
| F | 1.486mm +/-0.076mm |

Packaging Specifications

| | |
|-----------|------|
| Sleeving | Yes |
| Packaging | Bulk |

General Information

| | |
|------------------|--------------------------------------|
| Series | ALF80 |
| Dielectric | Aluminum Electrolytic |
| Style | Press-Fit |
| Description | Press-Fit, Aluminum Electrolytic |
| RoHS | Yes |
| Lead | 4 Pin Press-Fit |
| AEC-Q200 | No |
| Component Weight | 105 g |
| Notes | Dimensions D And L Include Sleeving. |
| Shelf Life | 156 Weeks |

Specifications

| | |
|-----------------------|--|
| Capacitance | 560 uF |
| Capacitance Tolerance | 20% |
| Voltage DC | 450 VDC, 495 VDC (Surge) |
| Temperature Range | -40/+105°C |
| Rated Temperature | 105°C |
| Life | 9000 Hrs (Rated Voltage and Ripple Current at 105C), 14000 Hrs (Rated Voltage at 105C) |
| Resistance | 240 mOhms (100Hz 20C), 139.7 mOhms (10kHz 20C) |
| Ripple Current | 3.2 Amps (100Hz 105C), 7.969 Amps (10kHz 105C) |
| Leakage Current | 756 uA (5min 20°C) |