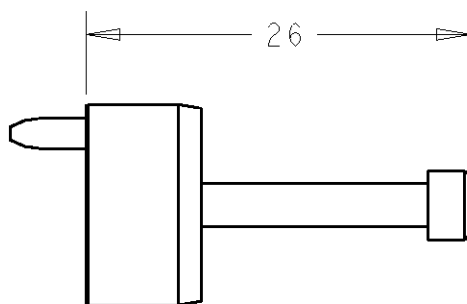
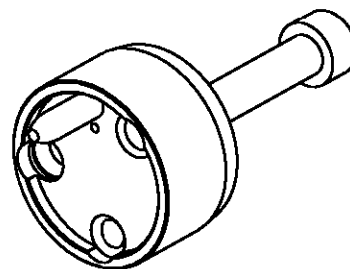


| LOC | DIST | REVISIONS | | | |
|-----|------|-------------|--------------------------|---------|-------|
| P | LTR | DESCRIPTION | DATE | DWN | APVD |
| CE | 16 | A | RELEASE PER 0A00-0088-02 | 29SEP03 | KG DW |
| | | | | | |
| | | | | | |
| | | | | | |

1. DIMENSIONS ARE NOMINAL UNLESS OTHERWISE INDICATED.



20

RELEASED FOR PUBLICATION

THIS DRAWING IS UNPUBLISHED.

BY TYCO ELECTRONICS CORPORATION. ALL RIGHTS RESERVED.

© COPYRIGHT 20

1515844-1
PART NUMBER

| | | | |
|--|--|--|-----------------------|
| DIMENSIONS: mm TOLERANCES UNLESS OTHERWISE SPECIFIED: 0 PLC ±- 1 PLC ±- 2 PLC ±- 3 PLC ±- 4 PLC ±- ANGLES ±- | DWN K. GLATFELTER 25SEP2003 | MATERIAL | FINISH |
| | CHK D. WERTMAN 29SEP2003 | tyco Electronics Tyco Electronics Harrisburg, PA 17105-3608 | |
| APVD D. WERTMAN 29SEP2003 | NAME INSERT ASS'Y FIXTURE PRO BEAM JR. | | |
| PRODUCT SPEC - | APPLICATION SPEC - | SIZE A 4 | CAGE CODE 00779 |
| WEIGHT - | DRAWING NO C=1515844 | | RESTRICTED TO - |
| CUSTOMER DRAWING | | SCALE 2:1 | SHEET 1 OF 1 REV A |

Mouser Electronics

Authorized Distributor

Click to View Pricing, Inventory, Delivery & Lifecycle Information:

[TE Connectivity:](#)

[1515844-1](#)