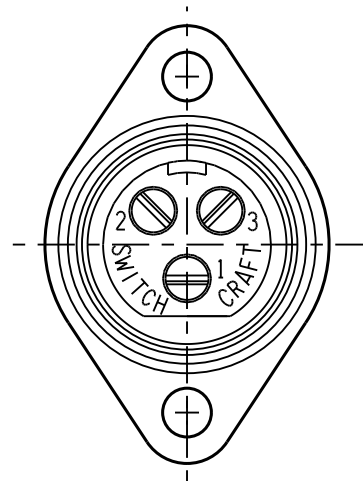
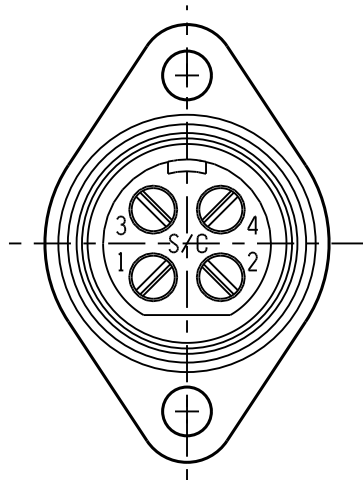


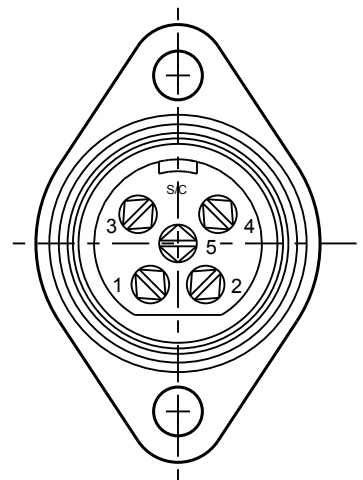
SL102F
2 PIN



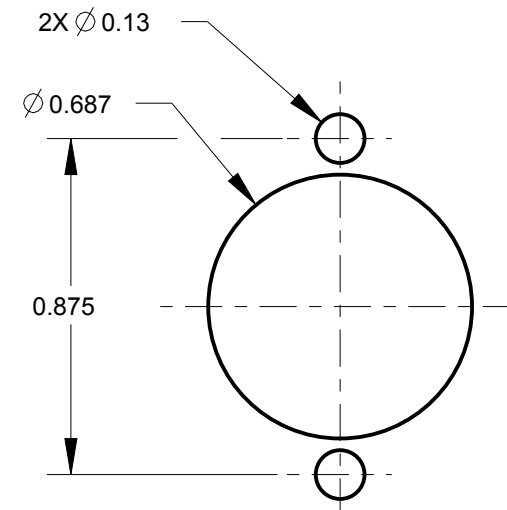
SL103F
3 PIN



SL104F
4 PIN

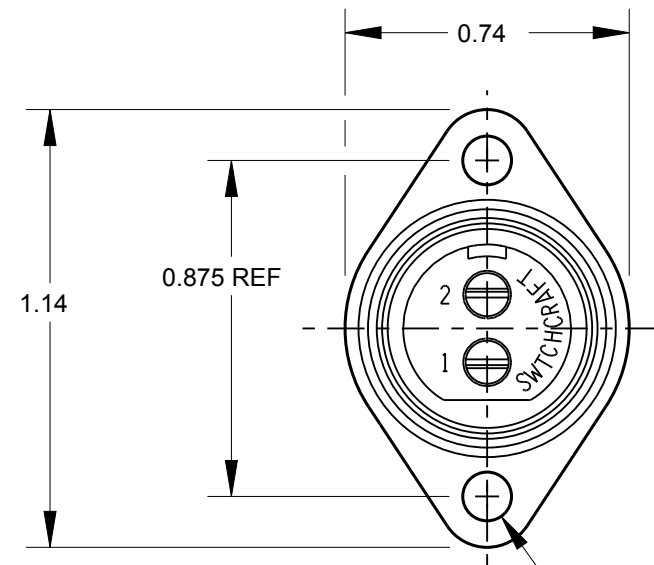
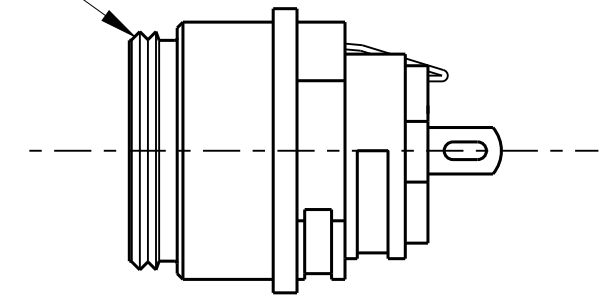


SL105FAU (GOLD PLATED CONTACTS)
5 PIN

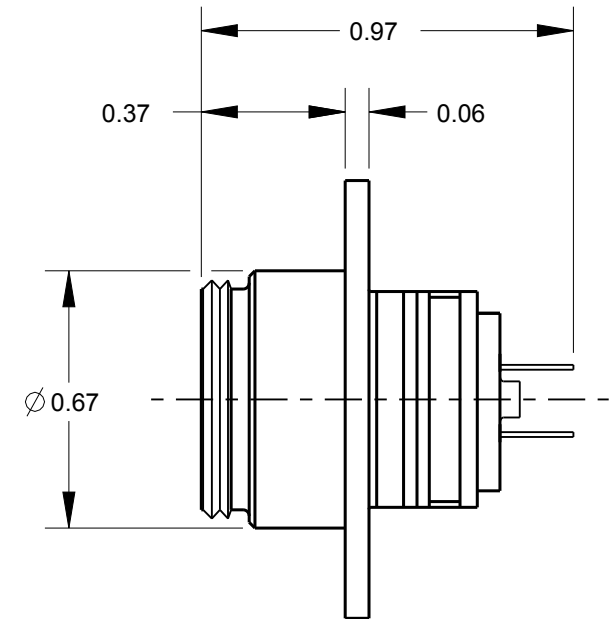


RECOMMENDED
MOUNTING HOLE LAYOUT

5/8-27 UNS-2A THREAD



2X Ø0.127 REF



CUSTOMER DRAWING

NOTES:

- HOUSING AND PIN ASSEMBLY SHIPPED UNASSEMBLED.
- MATERIALS:
HOUSING - DIE CAST, NICKEL PLATED
INSERT - GLASS REINFORCED THERMOPLASTIC, BLACK
CONTACTS - COPPER ALLOY, SILVER PLATED
LATCH - STEEL, NICKEL PLATED
- THESE PRODUCTS ARE RoHS COMPLIANT.

REV	ECO NUMBER	DATE	BY	APVD
H	27066	12-12-12	TO	TJK
G	22318	1-10-11	TJK	TJK

★ STAR SYMBOL DENOTES CRITICAL DIMENSION

UNLESS OTHERWISE SPECIFIED

1. ALL DIMENSIONS IN INCHES
-TWO PLACE DECIMALS ±0.01
-THREE PLACE DECIMALS ±0.005
-ANGLES ±1°
-ALL DIA. CONCENTRIC WITHIN 0.005 T.I.R.

2. FEATURES ON THE SAME CENTERLINE MUST BE ALIGNED WITHIN ±0.002

3. REMOVE ALL BURRS

DO NOT SCALE DRAWING

THIS DRAWING DESCRIBES A DESIGN CONSIDERED PROPRIETARY IN NATURE, DEVELOPED AND MANUFACTURED BY SWITCHCRAFT INC. AND IS RELEASED ON A CONFIDENTIAL BASIS FOR IDENTIFICATION PURPOSES ONLY.									
SIZE	WIDTH	MULT	LBS/M	TEMPER					
FINISH					MATERIAL				
SPEC No.					SPEC No.				
FIRST USED ON					SCALE				
					2:1				
DATE DRAWN	BY	CHKD	APVD	Switchcraft®					
03-Feb-10	TJK	TJK	TJK	SHEET 1 OF 1					
						PART No.		REV	
SLIM-LINE FEMALE FLANGE MOUNT CONNECTOR, RoHS							SL10_F SERIES		H

Mouser Electronics

Authorized Distributor

Click to View Pricing, Inventory, Delivery & Lifecycle Information:

[Switchcraft:](#)

[SL103F](#) [SL102F](#) [SL104F](#) [SL105F](#)