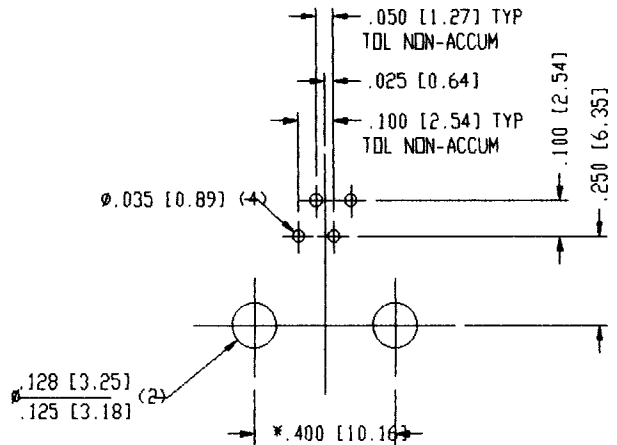
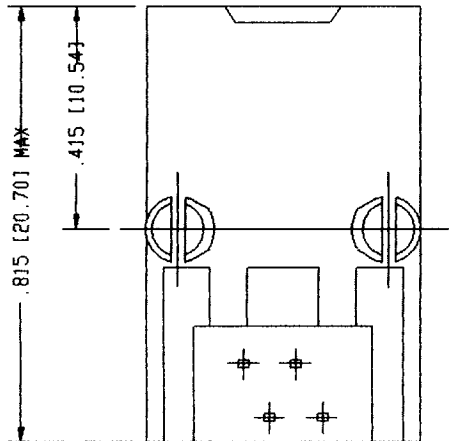
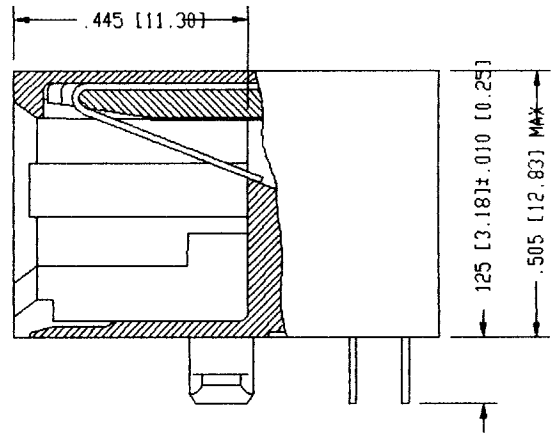
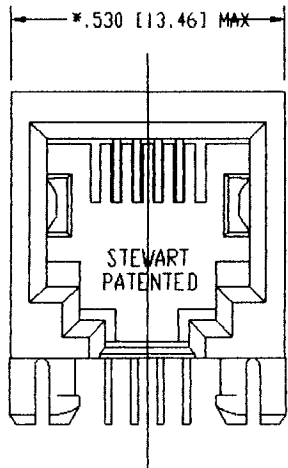


STEWART  
CONNECTOR  
SYSTEMS, INC.

R.D. 2, BOX 2020 GLEN ROCK, PENNSYLVANIA 17327

PART NO.: SS-6446-NF  
FOUR CONTACT, SIX POSITION JACK  
"-NF" NON-FLANGE



NOTE:

- TOLERANCE COMPLY WITH F.C.C. DIMENSION REQUIREMENTS ALL OTHERS  $\pm .005$  [0.13] UNLESS OTHERWISE SPECIFIED.
- DIMENSIONS SHOWN WITH "\*" TO BE CENTRAL ABOUT CENTER LINE

AVAILABLE WITH:

- 30 & 50, MICRO-INCH SELECTIVE GOLD PLATING
- LOADED 1 - 6 CONTACTS

CT640019A1

P.C.B. RECOMMENDED HOLE LAYOUT  
SEEN FROM COMPONENT SIDE  
TOLERANCE  $\pm .003$  [0.08] UNLESS OTHERWISE SPECIFIED