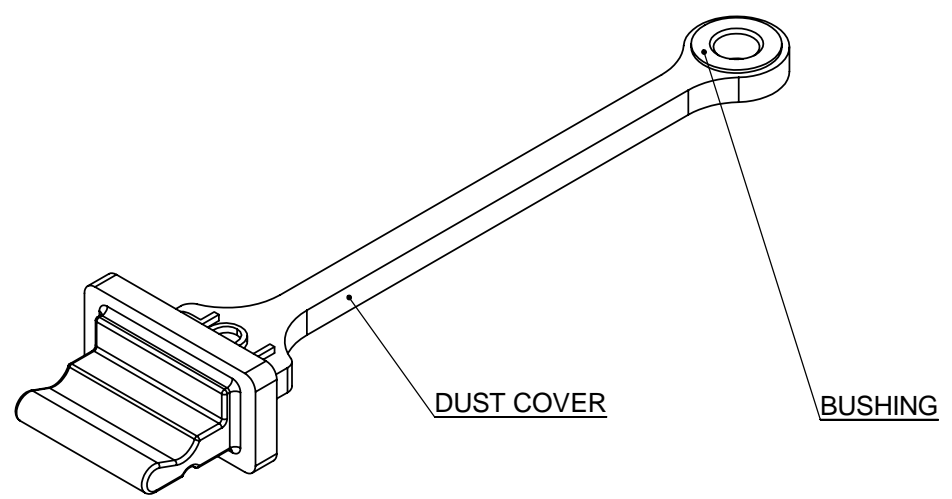


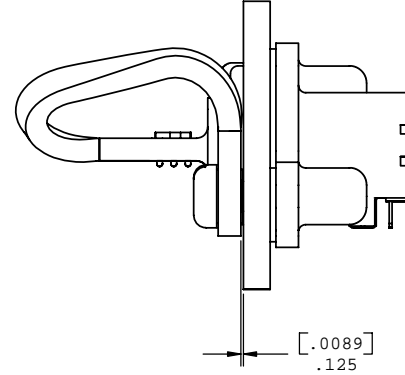
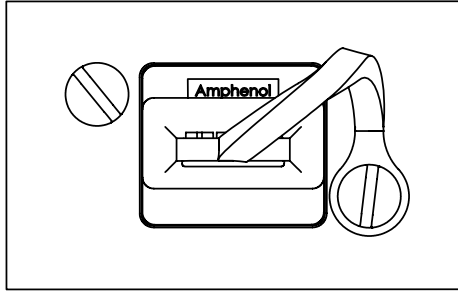
TABLE 1	
PART NUMBER FOR ORDER	COLOR
MUSB-2A111-014-BP	GREY
MUSB-2A111-024-BP	BLACK



NOTES:

- MATERIAL:
 - DUST COVER - SILICONE RUBBER, COLOR - SEE TABLE 1.
 - BUSHING - BRASS, NICKEL PLATED.
- OPERATING TEMPERATURE: -40°C TO +105°C.
- PART IS ROHS COMPLIANT PER EU DIRECTIVE 2002/95/EC AND AMENDMENTS.

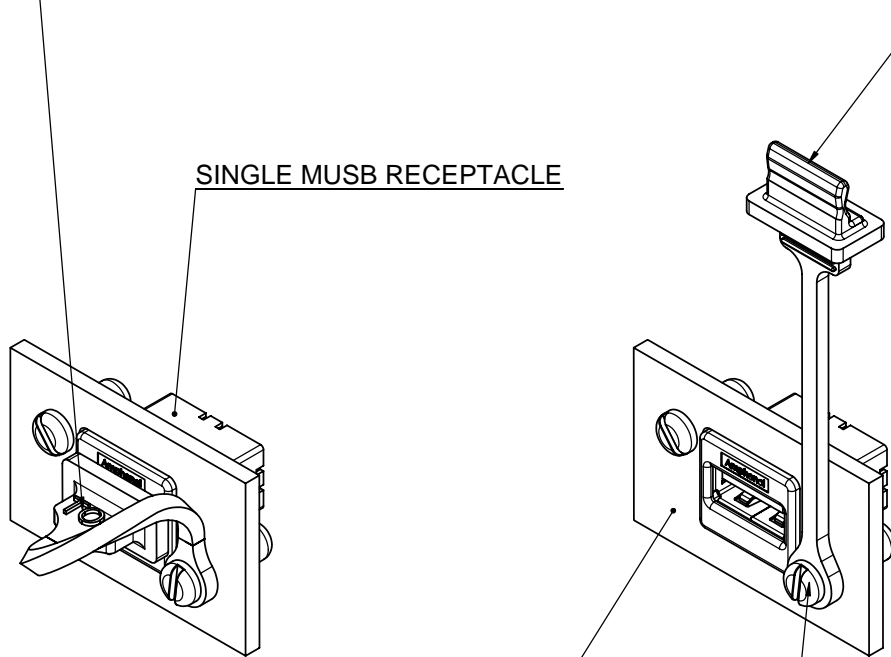
UNLESS OTHERWISE SPECIFIED DIMENSIONS ARE IN MILLIMETER TOLERANCES ARE: DECIMALS .XX ±.10 .X ±.25 ANGLES ± 1°	APPROVALS	DATE	Amphenol Canada Corp.		
	DRAWN S.SEMENOV	APR24/06			
	DESIGNED S.SEMENOV	APR24/06	TITLE MUSB TYPE A CONNECTOR WITH DUST COVER		
	CHECKED				
MATERIAL AND FINISH	QA APP'D		SIZE C	DWG. NO. P-MUSB-2A111-0X4	REV. 3
REF.	IE APP'D		SCALE 4:1	PROJECT MUSB	SHEET 1 OF 3
CODE IDENT. NO.	DWG APP'D K.BOUTROS	APR24/06			



COVER HANDLE WITH MARK "TOP"

DUST COVER

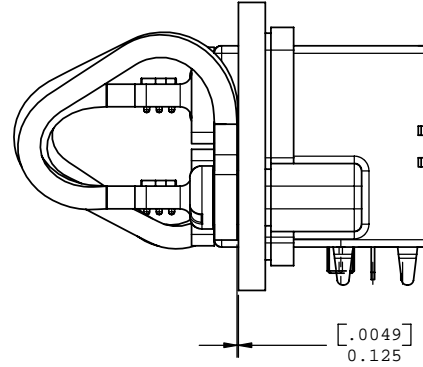
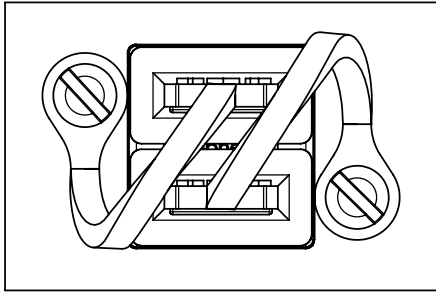
SINGLE MUSB RECEPTACLE



SINGLE MUSB WITH DUST COVER

PANEL
4-40 SCREW
(NOT SUPPLIED)

UNLESS OTHERWISE SPECIFIED DIMENSIONS ARE IN MILLIMETER TOLERANCES ARE: DECIMALS ANGLES .XX ±.10 ± 1° .X ±.25	APPROVALS	DATE	Amphenol Canada Corp.		
	DRAWN S.SEMENOV	APR24/06			
	DESIGNED S.SEMENOV	APR24/06	MUSB TYPE A CONNECTOR		REV. 3
	CHECKED		WITH DUST COVER		
MATERIAL AND FINISH	QA APP'D		SIZE C	DWG. NO. P-MUSB-2A111-0X4	
REF.	IE APP'D		SCALE 1:0.3	PROJECT MUSB	SHEET 2 OF 3
CODE IDENT. NO.	DWG APP'D K.BOUTROS	APR24/06			



COVER HANDLE WITH MARK "TOP"

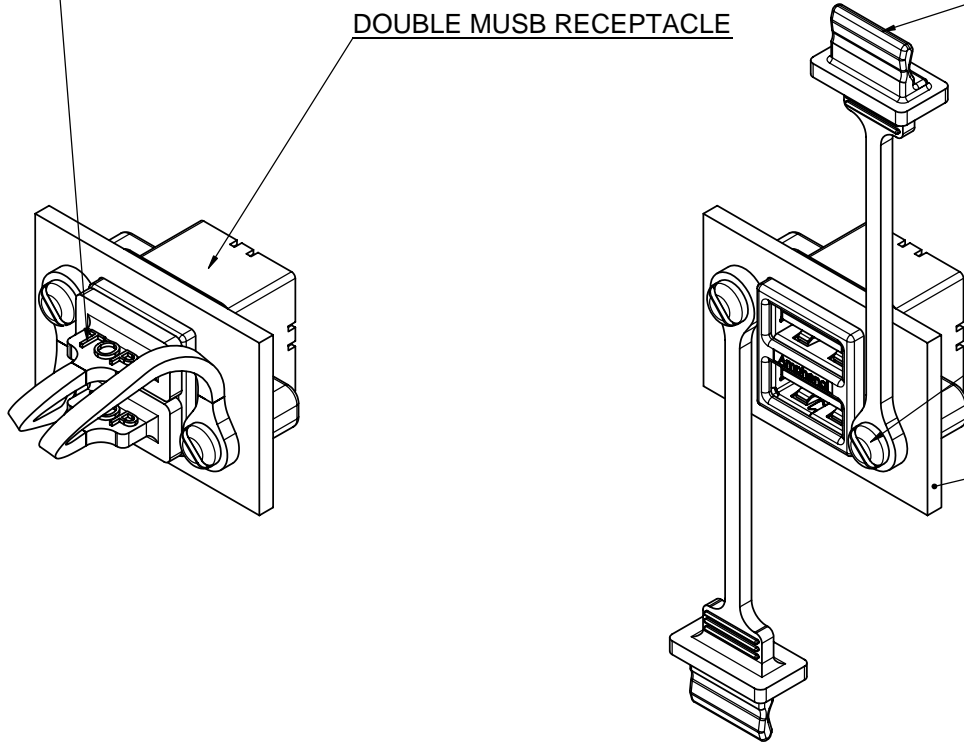
DOUBLE MUSB RECEPTACLE

DUST COVER

4-40 SCREW
(NOT SUPPLIED)

PANEL

DOUBLE MUSB WITH DUST COVER



UNLESS OTHERWISE SPECIFIED DIMENSIONS ARE IN MILLIMETER TOLERANCES ARE: DECIMALS ANGLES .XX ±.10 ± 1° .X ±.25		APPROVALS	DATE	Amphenol Canada Corp.		
		DRAWN S.SEMENOV	APR24/06			
MATERIAL AND FINISH		DESIGNED S.SEMENOV	APR24/06	TITLE MUSB TYPE A CONNECTOR WITH DUST COVER		
		CHECKED				
REF.		QA APP'D		SIZE C	DWG. NO. P-MUSB-2A111-0X4	REV. 3
		IE APP'D		SCALE 1:0.3	PROJECT MUSB	SHEET 3 OF 3
CODE IDENT. NO.		DWG APP'D K.BOUTROS	APR24/06			

DO NOT SCALE DRAWING
THIS DOCUMENT CONTAINS PROPRIETARY INFORMATION AND SUCH INFORMATION MAY NOT BE DISCLOSED TO OTHERS FOR ANY PURPOSE OR USED FOR MANUFACTURING PURPOSES WITHOUT PERMISSION FROM AMPHENOL CANADA CORP.