

LOW PROFILE SHIELDED SMD CHIP POWER INDUCTOR

ASPI-0615FS

 RoHS/RoHS II Compliant



6.0 x 6.0 x 2.0mm

FEATURES:

- Small size and low profile: 2.0mm
- Small DCR and high rated current
- High reliability to mechanical strength
- Magnetically shielded by magnetic powder molding
- Suitable for RoHS reflow profile

APPLICATIONS:

- DC/DC converter for LCD display of notebook PC
- Portable communication equipment
- Digital cameras

ELECTRICAL SPECIFICATIONS:

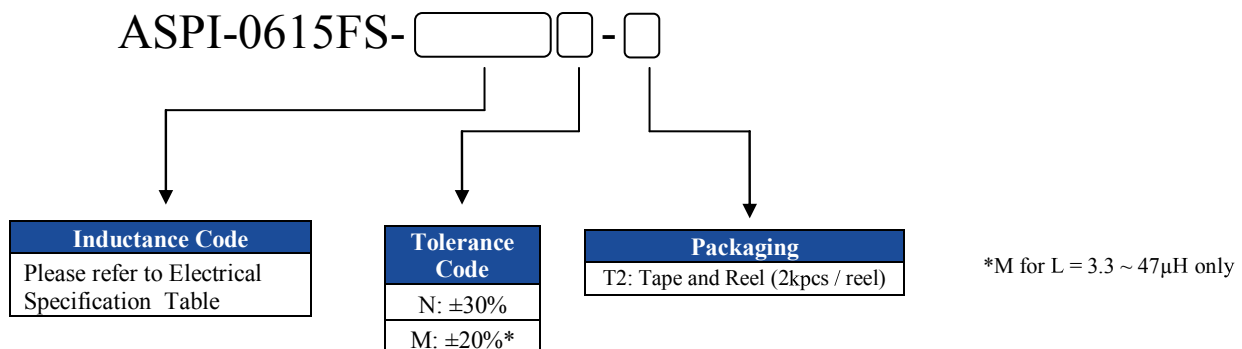
Abracon P/N:	ASPI-0615FS Series
Operating Temperature & Humidity :	-40°C to +125°C (Including self generated heat)
Storage Temperature & Humidity:	-40°C to +125°C

Part Number ASPI-0615FS- Inductance Code	Inductance	Inductance Tolerance	DCR	DCR Tolerance	Saturation Current	Temperature Rise Current
Units	μH	%	mΩ	%	A	A
Symbol	L	M, N	DCR		Isat	Irms
ASPI-0615FS-R50	0.5	N	9	±30%	7.00	5.20
ASPI-0615FS-R80	0.8	N	12		6.00	4.10
ASPI-0615FS-1R5	1.5	N	17		4.00	3.60
ASPI-0615FS-2R2	2.2	N	24		3.50	2.90
ASPI-0615FS-3R3	3.3	M, N	30		2.80	2.80
ASPI-0615FS-4R7	4.7	M, N	43	±20%	2.40	2.20
ASPI-0615FS-5R6	5.6	M, N	55		2.20	2.00
ASPI-0615FS-6R8	6.8	M, N	60		2.00	1.80
ASPI-0615FS-100	10	M, N	90		1.90	1.50
ASPI-0615FS-150	15	M, N	120		1.30	1.20
ASPI-0615FS-220	22	M, N	170		1.10	1.00
ASPI-0615FS-330	33	M, N	310		0.90	0.90
ASPI-0615FS-470	47	M, N	370	0.80	0.80	

Test Conditions

1. Inductance is measured in HP-4285A Precision LCR Meter.
2. RDC is measured in DU-5011 milli ohm meter.(or equivalent).
3. Isat : Based on inductance change ($\Delta L/L_o : \leq -30\%$)
4. Irms : Based on temperature rise ($\Delta T : 40^\circ\text{C TYP.}$)
5. Test Freq: 100KHz, 1Vrms

OPTIONS AND PART IDENTIFICATION



LOW PROFILE SHIELDED SMD CHIP POWER INDUCTOR

ASPI-0615FS

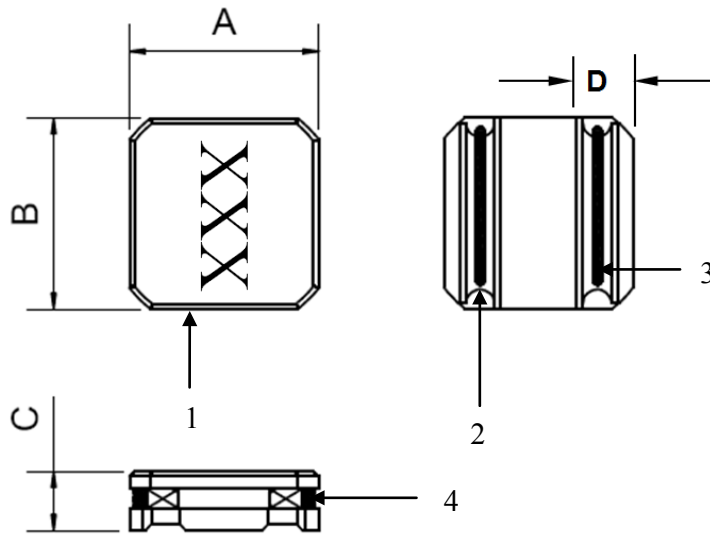


RoHS/RoHS II Compliant



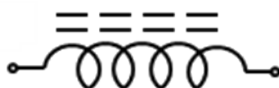
6.0 x 6.0 x 2.0mm

OUTLINE DRAWING:



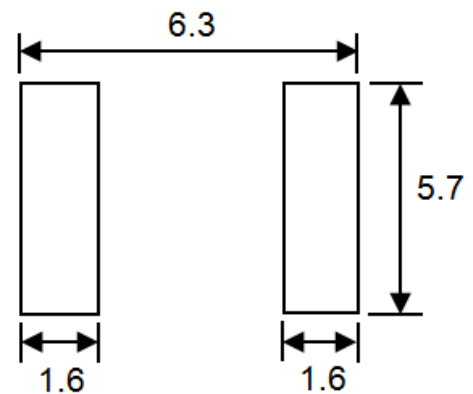
A	B	C	D Typ.
6.0±0.2	6.0±0.2	2.0±0.2	1.50

Circuit Schematic



No Polarity

Recommended Land Pattern



Dimension: mm

Material

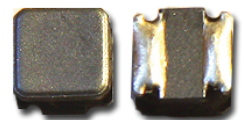
No	Part Name	Material
1	Ferrite core	Ni-Zn Ferrite
2	Terminals	Ag/Ni/Sn
3	Coil	Cu/P180 Grd 1
4	Adhesive	Silicon Base Resin
	Magnetic Powder	Ni-Zn Ferrite

LOW PROFILE SHIELDED SMD CHIP POWER INDUCTOR

ASPI-0615FS



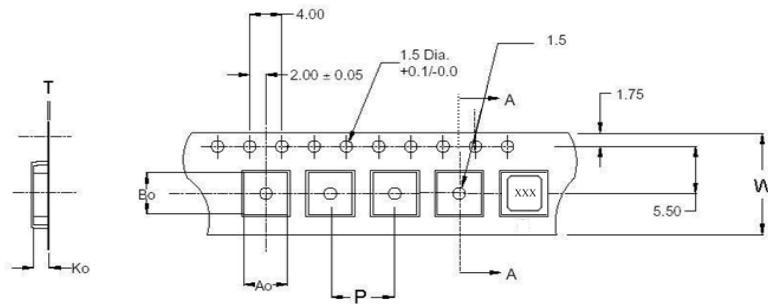
RoHS/RoHS II Compliant



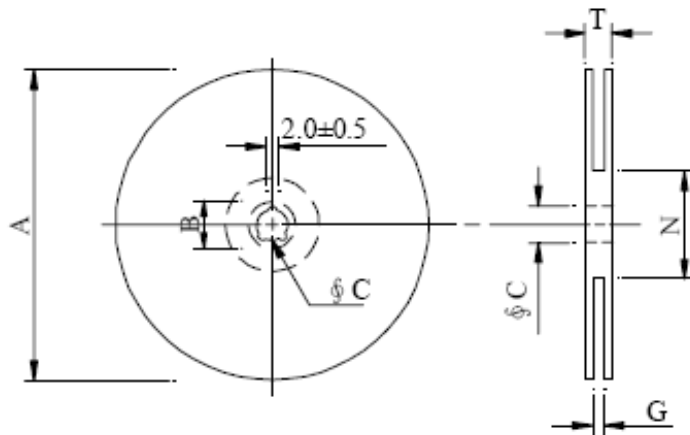
6.0 x 6.0 x 2.0mm

TAPE & REEL:

T2: 2,000pcs / reel



Ao	6.35
Bo	6.20
Ko	2.40
W	16.00
P	12.00
T	0.40



A	330
B	21.0±0.8
C	13.5±0.5
G	16.6
N	99.5
T	21

Dimension: mm

LOW PROFILE SHIELDED SMD CHIP POWER INDUCTOR

ASPI-0615FS

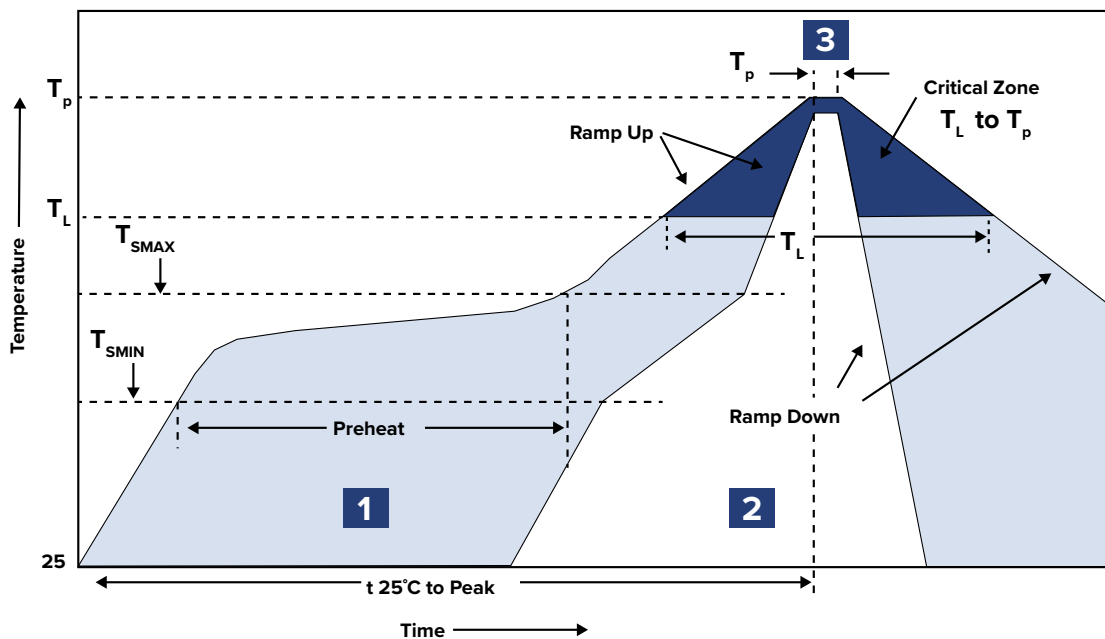


RoHS/RoHS II Compliant



6.0 x 6.0 x 2.0mm

REFLOW PROFILE:



Zone	Description	Temperature	Time
1	Preheat / Soak	T_{SMAX} 150°C	60 ~ 100 sec.
2	Reflow	T_L 200°C	20 sec. MAX
3	Peak heat	T_P 260°C	10 sec. MAX

Dimension: mm

ATTENTION: Abracon Corporation's products are COTS – Commercial-Off-The-Shelf products; suitable for Commercial, Industrial and, where designated, Automotive Applications. Abracon's products are not specifically designed for Military, Aviation, Aerospace, Life-dependant Medical applications or any application requiring high reliability where component failure could result in loss of life and/or property. For applications requiring high reliability and/or presenting an extreme operating environment, written consent and authorization from Abracon Corporation is required. Please contact Abracon Corporation for more information.

Mouser Electronics

Authorized Distributor

Click to View Pricing, Inventory, Delivery & Lifecycle Information:

ABRACON:

[ASPI-0615FS-100M-T2](#) [ASPI-0615FS-150M-T2](#) [ASPI-0615FS-220M-T2](#) [ASPI-0615FS-2R2M-T2](#) [ASPI-0615FS-330M-T2](#) [ASPI-0615FS-3R3M-T2](#) [ASPI-0615FS-470M-T2](#) [ASPI-0615FS-4R7M-T2](#) [ASPI-0615FS-6R8M-T2](#) [ASPI-0615FS-KIT](#) [ASPI-0615FS-3R3N-T2](#) [ASPI-0615FS-1R5N-T2](#) [ASPI-0615FS-2R2N-T2](#)